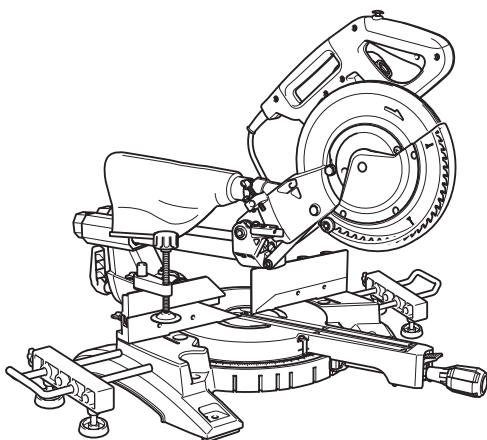


INSTRUCTION MANUAL  
MANUEL D'INSTRUCTION  
MANUAL DE INSTRUCCIONES



# Slide Compound Miter Saw Scie à Onglet Radiale Sierra de Inglete Telescópica

LS1018  
LS1018L



DOUBLE INSULATION  
DOUBLE ISOLATION  
DOBLE AISLAMIENTO

**IMPORTANT:** Read Before Using.

**IMPORTANT :** Lire avant usage.

**IMPORTANTE:** Lea antes de usar.

## SPECIFICATIONS

Model	LS1018 / LS1018L
Blade diameter	255 mm (10")
Hole diameter	15.88 mm (5/8")
Max. kerf thickness of the saw blade	3.2 mm (1/8")
Max. miter angle	Right 60° Left 47°
Max. bevel angle	Right 45° Left 45°
No load speed (RPM)	4,300/min
Laser Type (LS1018L only)	Wavelength 650 nm, Maximum output < 1mW (Laser Class II)
Dimensions (L x W x H)	825 mm x 536 mm x 633 mm (32-1/2" x 21-1/8" x 25")
Net weight	21.5 kg (47.4 lbs)

- Due to our continuing program of research and development, the specifications herein are subject to change without notice.
- Specifications may differ from country to country.
- Weight according to EPTA-Procedure 01/2014

### Max. Cutting capacities (H x W)

Miter angle	Bevel angle		
	45° (left)	0°	45° (right)
0°	50 mm x 305 mm (2" x 12")	91 mm x 305 mm (3-5/8" x 12")	31 mm x 305 mm (1-1/4" x 12")
45°	50 mm x 215 mm (2" x 8-1/2")	91 mm x 215 mm (3-5/8" x 8-1/2")	31 mm x 215 mm (1-1/4" x 8-1/2")
60° (right)	-	91 mm x 150 mm (3-5/8" x 5-7/8")	-

## SAFETY WARNINGS

### General power tool safety warnings

**⚠ WARNING:** Read all safety warnings, instructions, illustrations and specifications provided with this power tool. Failure to follow all instructions listed below may result in electric shock, fire and/or serious injury.

### Save all warnings and instructions for future reference.

The term "power tool" in the warnings refers to your mains-operated (corded) power tool or BATTERY-operated (cordless) power tool.

#### Work area safety

1. **Keep work area clean and well lit.** Cluttered or dark areas invite accidents.
2. **Do not operate power tools in explosive atmospheres, such as in the presence of flammable liquids, gases or dust.** Power tools create sparks which may ignite the dust or fumes.
3. **Keep children and bystanders away while operating a power tool.** Distractions can cause you to lose control.

#### Electrical Safety

1. **Power tool plugs must match the outlet. Never modify the plug in any way. Do not use any adapter plugs with earthed (grounded) power tools.** Unmodified plugs and matching outlets will reduce risk of electric shock.
2. **Avoid body contact with earthed or grounded surfaces, such as pipes, radiators, ranges and refrigerators.** There is an increased risk of electric shock if your body is earthed or grounded.
3. **Do not expose power tools to rain or wet conditions.** Water entering a power tool will increase the risk of electric shock.
4. **Do not abuse the cord. Never use the cord for carrying, pulling or unplugging the power tool. Keep cord away from heat, oil, sharp edges or moving parts.** Damaged or entangled cords increase the risk of electric shock.
5. **When operating a power tool outdoors, use an extension cord suitable for outdoor use.** Use of a cord suitable for outdoor use reduces the risk of electric shock.
6. **If operating a power tool in a damp location is unavoidable, use a Residual Current Device (RCD) protected supply.** Use of an RCD reduces the risk of electric shock.
7. **Power tools can produce electromagnetic fields (EMF) that are not harmful to the user.** However, users of pacemakers and other similar medical devices should contact the maker of their device and/or doctor for advice before operating this power tool.

8. **Do not touch the power plug with wet hands.**
9. **If the cord is damaged, have it replaced by the manufacturer or his agent in order to avoid a safety hazard.**

#### Personal Safety

1. **Stay alert, watch what you are doing and use common sense when operating a power tool. Do not use a power tool while you are tired or under the influence of drugs, alcohol or medication.** A moment of inattention while operating power tools may result in serious personal injury.
2. **Use personal protective equipment. Always wear eye protection.** Protective equipment such as dust mask, non-skid safety shoes, hard hat, or hearing protection used for appropriate conditions will reduce personal injuries.
3. **Prevent unintentional starting. Ensure the switch is in the off-position before connecting to power source and/or BATTERY pack, picking up or carrying the tool.** Carrying power tools with your finger on the switch or energising power tools that have the switch on invites accidents.
4. **Remove any adjusting key or wrench before turning the power tool on.** A wrench or a key left attached to a rotating part of the power tool may result in personal injury.
5. **Do not overreach. Keep proper footing and balance at all times.** This enables better control of the power tool in unexpected situations.
6. **Dress properly. Do not wear loose clothing or jewellery. Keep your hair, clothing and gloves away from moving parts.** Loose clothes, jewellery or long hair can be caught in moving parts.
7. **If devices are provided for the connection of dust extraction and collection facilities, ensure these are connected and properly used.** Use of dust collection can reduce dust-related hazards.
8. **Do not let familiarity gained from frequent use of tools allow you to become complacent and ignore tool safety principles.** A careless action can cause severe injury within a fraction of a second.
9. **Always wear protective goggles to protect your eyes from injury when using power tools. The goggles must comply with ANSI Z87.1 in the USA. It is an employer's responsibility to enforce the use of appropriate safety protective equipment by the tool operators and by other persons in the immediate working area.**

#### Power tool use and care

1. **Do not force the power tool. Use the correct power tool for your application.** The correct power tool will do the job better and safer at the rate for which it was designed.
2. **Do not use the power tool if the switch does not turn it on and off.** Any power tool that cannot be controlled with the switch is dangerous and must be repaired.
3. **Disconnect the plug from the power source and/or remove the BATTERY pack, if detachable, from the power tool before making any adjustments, changing accessories, or storing power tools.** Such preventive safety measures reduce the risk of starting the power tool accidentally.

4. **Store idle power tools out of the reach of children and do not allow persons unfamiliar with the power tool or these instructions to operate the power tool.** Power tools are dangerous in the hands of untrained users.
5. **Maintain power tools and accessories. Check for misalignment or binding of moving parts, breakage of parts and any other condition that may affect the power tool's operation. If damaged, have the power tool repaired before use.** Many accidents are caused by poorly maintained power tools.
6. **Keep cutting tools sharp and clean.** Properly maintained cutting tools with sharp cutting edges are less likely to bind and are easier to control.
7. **Use the power tool, accessories and tool bits etc. in accordance with these instructions, taking into account the working conditions and the work to be performed.** Use of the power tool for operations different from those intended could result in a hazardous situation.
8. **Keep handles and grasping surfaces dry, clean and free from oil and grease.** Slippery handles and grasping surfaces do not allow for safe handling and control of the tool in unexpected situations.
9. **When using the tool, do not wear cloth work gloves which may be entangled.** The entanglement of cloth work gloves in the moving parts may result in personal injury.

#### Service

1. **Have your power tool serviced by a qualified repair person using only identical replacement parts.** This will ensure that the safety of the power tool is maintained.
2. **Follow instruction for lubricating and changing accessories.**

To reduce the risk of electric shock, this equipment has a polarized plug (one blade is wider than the other). This plug will fit in a polarized outlet only one way. If the plug does not fit fully in the outlet, reverse the plug. If it still does not fit, contact a qualified electrician to install the proper outlet. Do not change the plug in any way.

**VOLTAGE WARNING:** Before connecting the tool to a power source (receptacle, outlet, etc.) be sure the voltage supplied is the same as that specified on the nameplate of the tool. A power source with voltage greater than that specified for the tool can result in **SERIOUS INJURY** to the user- as well as damage to the tool. If in doubt, **DO NOT PLUG IN THE TOOL.** Using a power source with voltage less than the nameplate rating is harmful to the motor.

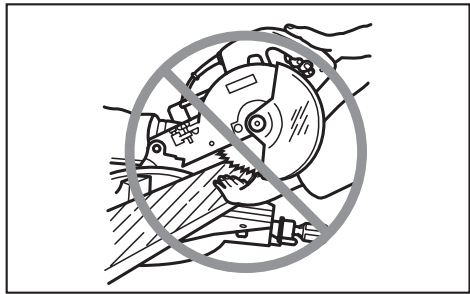
**USE PROPER EXTENSION CORD.** Make sure your extension cord is in good condition. When using an extension cord, be sure to use one heavy enough to carry the current your product will draw. An undersized cord will cause a drop in line voltage resulting in loss of power and overheating. Table 1 shows the correct size to use depending on cord length and nameplate ampere rating. If in doubt, use the next heavier gage. The smaller the gage number, the heavier the cord.

**Table 1: Minimum gage for cord**

Ampere Rating		Volts		Total length of cord in feet			
		120V		25 ft.	50 ft.	100 ft.	150 ft.
		220V - 240V		50 ft.	100 ft.	200 ft.	300 ft.
More Than	Not More Than	AWG					
0 A	6 A	-	18	16	16	14	
6 A	10 A		18	16	14	12	
10 A	12 A		16	16	14	12	
12 A	16 A		14	12	Not Recommended		

**Safety instructions for mitre saws**

- Mitre saws are intended to cut wood or wood-like products, they cannot be used with abrasive cut-off wheels for cutting ferrous material such as bars, rods, studs, etc.** Abrasive dust causes moving parts such as the lower guard to jam. Sparks from abrasive cutting will burn the lower guard, the kerf insert and other plastic parts.
- Use clamps to support the workpiece whenever possible. If supporting the workpiece by hand, you must always keep your hand at least 100 mm from either side of the saw blade. Do not use this saw to cut pieces that are too small to be securely clamped or held by hand.** If your hand is placed too close to the saw blade, there is an increased risk of injury from blade contact.
- The workpiece must be stationary and clamped or held against both the fence and the table. Do not feed the workpiece into the blade or cut "freehand" in any way.** Unrestrained or moving workpieces could be thrown at high speeds, causing injury.
- Push the saw through the workpiece. Do not pull the saw through the workpiece. To make a cut, raise the saw head and pull it out over the workpiece without cutting, start the motor, press the saw head down and push the saw through the workpiece.** Cutting on the pull stroke is likely to cause the saw blade to climb on top of the workpiece and violently throw the blade assembly towards the operator.
- Never cross your hand over the intended line of cutting either in front or behind the saw blade.** Supporting the workpiece "cross handed" i.e. holding the workpiece to the right of the saw blade with your left hand or vice versa is very dangerous.



- Do not reach behind the fence with either hand closer than 100 mm from either side of the saw blade, to remove wood scraps, or for any other reason while the blade is spinning.** The proximity of the spinning saw blade to your hand may not be obvious and you may be seriously injured.
- Inspect your workpiece before cutting. If the workpiece is bowed or warped, clamp it with the outside bowed face toward the fence. Always make certain that there is no gap between the workpiece, fence and table along the line of the cut.** Bent or warped workpieces can twist or shift and may cause binding on the spinning saw blade while cutting. There should be no nails or foreign objects in the workpiece.
- Do not use the saw until the table is clear of all tools, wood scraps, etc., except for the workpiece.** Small debris or loose pieces of wood or other objects that contact the revolving blade can be thrown with high speed.
- Cut only one workpiece at a time.** Stacked multiple workpieces cannot be adequately clamped or braced and may bind on the blade or shift during cutting.
- Ensure the mitre saw is mounted or placed on a level, firm work surface before use.** A level and firm work surface reduces the risk of the mitre saw becoming unstable.
- Plan your work. Every time you change the bevel or mitre angle setting, make sure the adjustable fence is set correctly to support the workpiece and will not interfere with the blade or the guarding system.** Without turning the tool "ON" and with no workpiece on the table, move the saw blade through a complete simulated cut to assure there will be no interference or danger of cutting the fence.
- Provide adequate support such as table extensions, saw horses, etc. for a workpiece that is wider or longer than the table top.** Workpieces longer or wider than the mitre saw table can tip if not securely supported. If the cut-off piece or workpiece tips, it can lift the lower guard or be thrown by the spinning blade.
- Do not use another person as a substitute for a table extension or as additional support.** Unstable support for the workpiece can cause the blade to bind or the workpiece to shift during the cutting operation pulling you and the helper into the spinning blade.
- The cut-off piece must not be jammed or pressed by any means against the spinning saw blade.** If confined, i.e. using length stops, the cut-off piece could get wedged against the blade and thrown violently.



15. **Always use a clamp or a fixture designed to properly support round material such as rods or tubing.** Rods have a tendency to roll while being cut, causing the blade to "bite" and pull the work with your hand into the blade.
16. **Let the blade reach full speed before contacting the workpiece.** This will reduce the risk of the workpiece being thrown.
17. **If the workpiece or blade becomes jammed, turn the mitre saw off. Wait for all moving parts to stop and disconnect the plug from the power source and/or remove the battery pack. Then work to free the jammed material.** Continued sawing with a jammed workpiece could cause loss of control or damage to the mitre saw.
18. **After finishing the cut, release the switch, hold the saw head down and wait for the blade to stop before removing the cut-off piece.** Reaching with your hand near the coasting blade is dangerous.
19. **Hold the handle firmly when making an incomplete cut or when releasing the switch before the saw head is completely in the down position.** The braking action of the saw may cause the saw head to be suddenly pulled downward, causing a risk of injury.
20. **Only use the saw blade with the diameter that is marked on the tool or specified in the manual.** Use of an incorrectly sized blade may affect the proper guarding of the blade or guard operation which could result in serious personal injury.
21. **Only use the saw blades that are marked with a speed equal or higher than the speed marked on the tool.**
22. **Always select the correct saw blade for the material to be cut. Do not use the saw blade to cut materials other than those specified.**
23. **The saw can cut wood, aluminum or similar materials, when using a saw blade appropriate for the material. Do not use the saw to cut the other material, including magnesium, steel and iron.**

#### Additional instructions

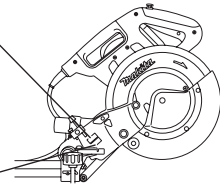
1. **Intended use**  
The tool is intended for accurate straight and miter cutting in wood. With appropriate saw blades, aluminum can also be sawed.
2. **Make workshop kid proof with padlocks.**
3. **Never stand on the tool.** Serious injury could occur if the tool is tipped or if the cutting tool is unintentionally contacted.
4. **Never leave the tool running unattended. Turn the power off. Do not leave tool until it comes to a complete stop.**
5. **Do not operate saw without guards in place. Check blade guard for proper closing before each use. Do not operate saw if blade guard does not move freely and close instantly. Never clamp or tie the blade guard into the open position.**
6. **Keep hands out of path of saw blade. Avoid contact with any coasting blade. It can still cause severe injury.**
7. **To reduce the risk of injury, return carriage to the full rear position after each crosscut operation.**
8. **Always secure all moving portions before carrying the tool.**
9. **Stopper pin which locks the cutter head down is for carrying and storage purposes only and not for any cutting operations.**
10. **Check the blade carefully for cracks or damage before operation. Replace cracked or damaged blade immediately. Gum and wood pitch hardened on blades slows saw and increases potential for kickback. Keep blade clean by first removing it from tool, then cleaning it with gum and pitch remover, hot water or kerosene. Never use gasoline to clean blade.**
11. **While making a slide cut, KICKBACK can occur. KICKBACK occurs when the blade binds in the workpiece during a cutting operation and the saw blade is driven rapidly towards the operator. Loss of control and serious personal injury can result. If blade begins to bind during a cutting operation, do not continue to cut and release switch immediately.**
12. **Use only flanges specified for this tool.**
13. **Be careful not to damage the arbor, flanges (especially the installing surface) or bolt. Damage to these parts could result in blade breakage.**
14. **Make sure that the turn base is properly secured so it will not move during operation. Use the holes in the base to fasten the saw to a stable work platform or bench. NEVER use tool where operator positioning would be awkward.**
15. **Make sure the shaft lock is released before the switch is turned on.**
16. **Be sure that the blade does not contact the turn base in the lowest position.**
17. **Hold the handle firmly. Be aware that the saw moves up or down slightly during start-up and stopping.**
18. **Make sure the blade is not contacting the workpiece before the switch is turned on.**
19. **Before using the tool on an actual workpiece, let it run for a while. Watch for vibration or wobbling that could indicate poor installation or a poorly balanced blade.**
20. **Stop operation immediately if you notice anything abnormal.**
21. **Do not attempt to lock the trigger in the "ON" position.**
22. **Always use accessories recommended in this manual. Use of improper accessories such as abrasive wheels may cause an injury.**
23. **Some material contains chemicals which may be toxic. Take caution to prevent dust inhalation and skin contact. Follow material supplier safety data.**

#### Additional safety rules for the laser

1. **LASER RADIATION DO NOT STARE INTO BEAM.**
2. **AVOID EXPOSURE - LASER RADIATION IS EMITTED FROM APERTURE.**
3. **USE OF CONTROLS OR ADJUSTMENTS OR PERFORMANCE OF PROCEDURES OTHER THAN THOSE SPECIFIED HEREIN MAY RESULT IN HAZARDOUS RADIATION EXPOSURE.**

COMPLIES WITH 21CFR 1040.10 AND 1040.11  
 AVOID EXPOSURE – LASER RADIATIONS IS EMITTED FROM THIS APERTURE  
 CONFORME A 21CFR 1040.10 ET 1040.11  
 EVITEZ L'EXPOSITION - UN RAYONNEMENT LASER EST EMIS PAR CETTE OUVERTURE.

**CAUTION/PRECAUCIÓN**  
 LASER RADIATION DO NOT STARE IN TO BEAM  
 RADICACIÓN LASER NO DIRIJA LA VISTA HACIA EL RAYO LASER  
 Maximum Output <math>< 1\text{mW}</math>, Wavelength 650 nm  
 CLASS II LASER PRODUCT



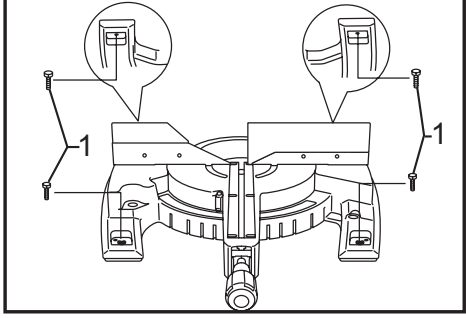
When the tool is shipped, the handle is locked in the lowered position by the stopper pin. Release the stopper pin by simultaneously applying a slight downward pressure on the handle and pulling the stopper pin.

- WARNING:**
- Ensure that the tool will not move on the supporting surface. Movement of the miter saw on the supporting surface while cutting may result in loss of control and serious personal injury.

## Symbols

The followings show the symbols used for tool.

V	volts
A	amperes
Hz	hertz
$n_s$	no load speed
~	alternating current
	Class II Construction
... /min r /min	revolutions or reciprocation per minute
	Do not place hand or fingers close to the blade.



► 1. Bolts

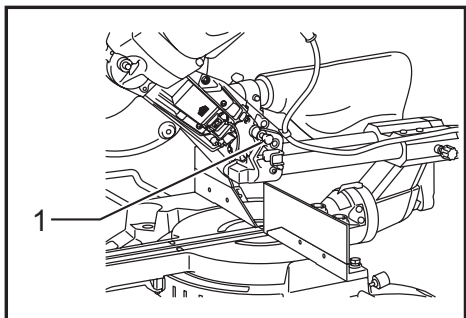
This tool should be bolted to a level and stable surface using the bolt holes provided in the tool's base. This will help prevent tipping and possible injury.

## Installing the holders and holder assemblies

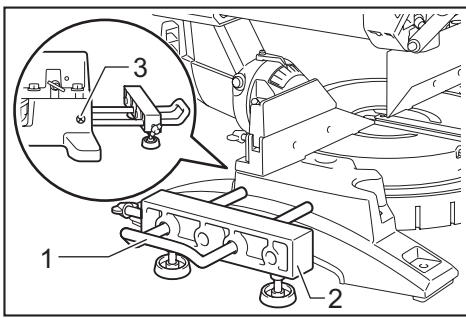
**NOTE:** In some countries, the holders and holder assemblies may not be included in the tool package as standard accessory.

## INSTALLATION

### Bench mounting



► 1. Stopper pin



► 1. Holder 2. Holder assembly 3. Screw

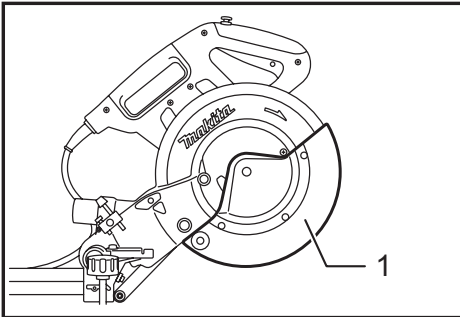
The holders and the holder assemblies support work-pieces horizontally.  
 Install the holders and the holder assemblies on both side as shown in the figure.  
 Then tighten the screws firmly to secure the holders and the holder assemblies.

# FUNCTIONAL DESCRIPTION

## ⚠ WARNING:

- **Always be sure that the tool is switched off and unplugged before adjusting or checking function on the tool.** Failure to switch off and unplug the tool may result in serious personal injury from accidental start-up.

## Blade guard



► 1. Blade guard

When lowering the handle, the blade guard rises automatically. The blade guard returns to its original position when the cut is completed and the handle is raised.

## ⚠ WARNING:

- **Never defeat or remove the blade guard or the spring which attaches to the guard.** An exposed blade as a result of defeated guarding may result in serious personal injury during operation.

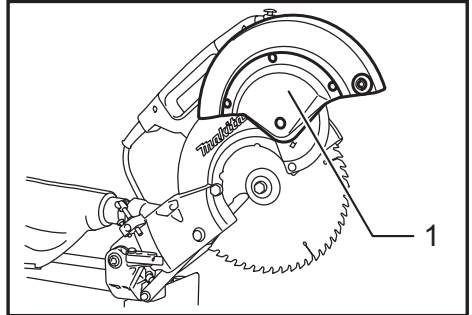
In the interest of your personal safety, always maintain the blade guard in good condition. Any irregular operation of the blade guard should be corrected immediately. Check to assure spring loaded return action of guard.

## ⚠ WARNING:

- **Never use the tool if the blade guard or spring are damaged, faulty or removed.** Operation of the tool with a damaged, faulty or removed guard may result in serious personal injury.

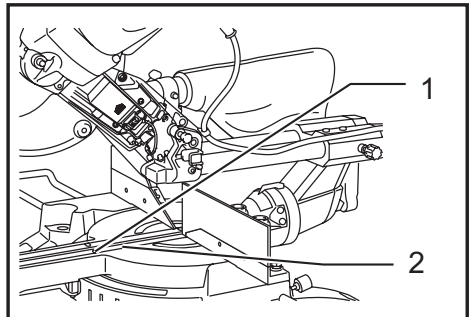
If the see-through blade guard becomes dirty, or sawdust adheres to it in such a way that the blade and/or workpiece is no longer easily visible, unplug the saw and clean the guard carefully with a damp cloth. Do not use solvents or any petroleum-based cleaners on the plastic guard because this may cause damage to the guard.

If the blade guard becomes dirty and needs to be cleaned for proper operation follow the steps below: With the tool switched off and unplugged, use the supplied socket wrench to loosen the hex bolt holding the center cover. Loosen the hex bolt by turning it counter-clockwise and raise the blade guard and center cover. With the blade guard so positioned, cleaning can be more completely and efficiently accomplished. When cleaning is complete reverse procedure above and secure bolt. Do not remove spring holding blade guard. If guard becomes damaged through age or UV light exposure, contact a Makita service center for a new guard. **DO NOT DEFEAT OR REMOVE GUARD.**

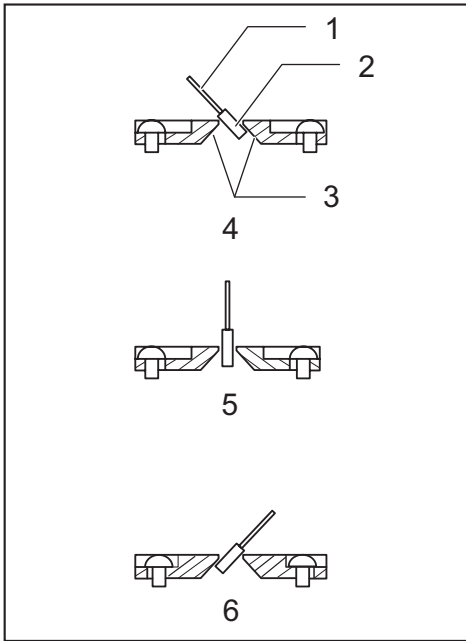


► 1. Blade guard

## Positioning kerf board



► 1. Screw 2. Kerf board



► 1. Saw blade 2. Blade teeth 3. Kerf board 4. Left bevel cut 5. Straight cut 6. Right bevel cut

This tool is provided with the kerf boards in the turn base to minimize tearing on the exit side of a cut. The kerf boards are factory adjusted so that the saw blade does not contact the kerf boards. Before use, adjust the kerf boards as follows:

First, unplug the tool. Loosen all the screws (3 each on left and right) securing the kerf boards. Re-tighten them only to the extent that the kerf boards can still be easily moved by hand. Lower the handle fully and push in the stopper pin to lock the handle in the lowered position. Loosen the screw which secures the slide poles. Pull the carriage toward you fully. Adjust the kerf boards so that the kerf boards just contact the sides of the blade teeth. Tighten the front screws (do not tighten firmly). Push the carriage toward the guide fence fully and adjust the kerf boards so that the kerf boards just contact the sides of blade teeth. Tighten the rear screws (do not tighten firmly).

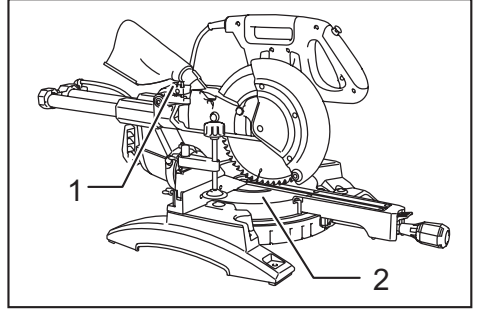
After adjusting the kerf boards, release the stopper pin and raise the handle. Then tighten all the screws securely.

**NOTICE:**

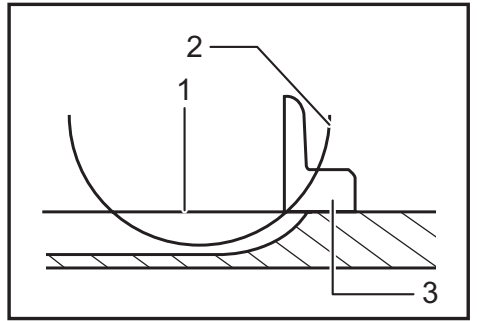
- After setting the bevel angle ensure that the kerf boards are adjusted properly. Correct adjustment of the kerf boards will help provide proper support of the workpiece minimizing workpiece tear out.

## Maintaining maximum cutting capacity

This tool is factory adjusted to provide the maximum cutting capacity for a 255 mm (10") saw blade. Unplug the tool before any adjustment is attempted. When installing a new blade, always check the lower limit position of the blade and if necessary, adjust it as follows:



► 1. Adjusting bolt 2. Turn base



► 1. Top surface of turn base 2. Periphery of blade 3. Guide fence

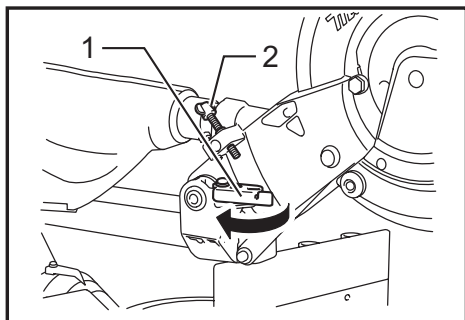
First, unplug the tool. Push the carriage toward the guide fence fully and lower the handle completely. Use the hex. wrench to turn the adjusting bolt until the periphery of the blade extends slightly below the top surface of the turn base at the point where the front face of the guide fence meets the top surface of the turn base.

With the tool unplugged, rotate the blade by hand while holding the handle all the way down to be sure that the blade does not contact any part of the lower base. Re-adjust slightly, if necessary.

**⚠WARNING:**

- After installing a new blade and with the tool unplugged, always be sure that the blade does not contact any part of the lower base when the handle is lowered completely. If a blade makes contact with the base it may cause kickback and result in serious personal injury.

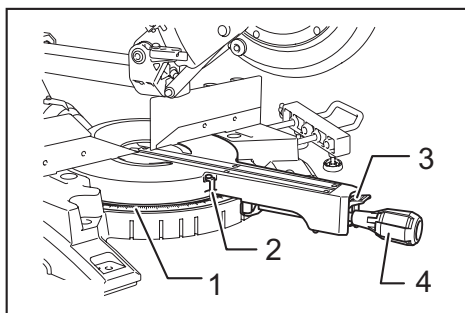
## Stopper arm



► 1. Stopper arm 2. Adjusting screw

The lower limit position of the blade can be easily adjusted with the stopper arm. To adjust it, move the stopper arm in the direction of the arrow as shown in the figure. Adjust the adjusting screw so that the blade stops at the desired position when lowering the handle fully.

## Adjusting the miter angle



► 1. Miter scale 2. Pointer 3. Lock lever 4. Grip

Loosen the grip by turning counterclockwise. Turn the turn base while pressing down the lock lever. When you have moved the grip to the position where the pointer points to the desired angle on the miter scale, securely tighten the grip clockwise.

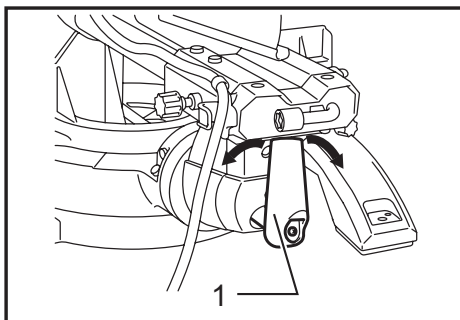
### CAUTION:

- After changing the miter angle, always secure the turn base by tightening the grip firmly.

### NOTICE:

- When turning the turn base, be sure to raise the handle fully.

## Adjusting the bevel angle

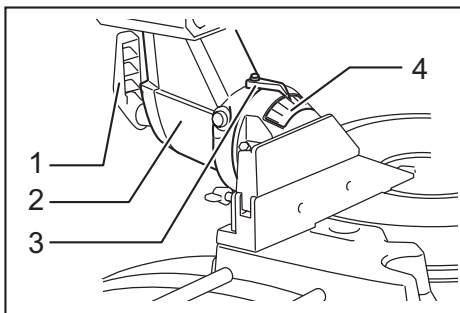


► 1. Lever

To adjust the bevel angle, loosen the lever at the rear of the tool counterclockwise. Unlock the arm by pushing the handle somewhat strongly in the direction that you intend to tilt the saw blade.

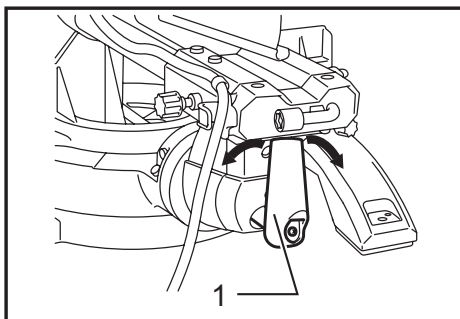
### NOTE:

- Lever can be adjusted to a different lever angle by removing the screw holding the lever and securing the lever at a desired angle.



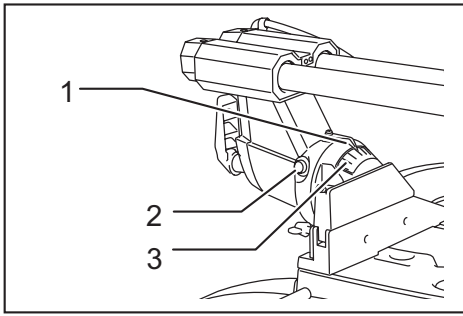
► 1. Lever 2. Arm 3. Pointer 4. Bevel scale

Tilt the saw blade until the pointer points to the desired angle on the bevel scale. Then tighten the lever clockwise firmly to secure the arm.



► 1. Lever

When tilting the carriage to the right, tilt the carriage to the left slightly after loosening the lever and press the releasing button. With the releasing button being pressed, tilt the carriage to the right.



► 1. Pointer 2. Release button 3. Bevel scale

Tilt the saw blade until the pointer points to the desired angle on the bevel scale. Then tighten the lever clockwise firmly to secure the arm.

- When changing bevel angles, be sure to position the kerf boards appropriately as explained in the "Positioning kerf boards" section.

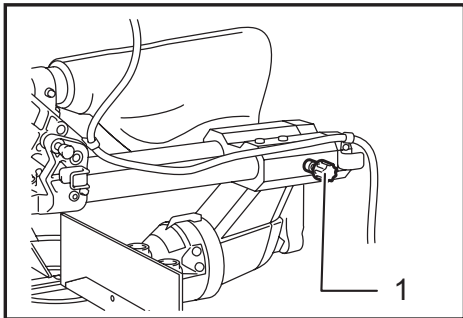
**CAUTION:**

- After changing the bevel angle, always secure the arm by tightening the lever clockwise.

**NOTICE:**

- When tilting the saw blade be sure the handle is fully raised.
- When changing bevel angles, be sure to position the kerf boards appropriately as explained in the "Positioning kerf boards" section.

**Slide lock adjustment**



► 1. Locking screw

To lock the slide pole, turn the locking screw clockwise.

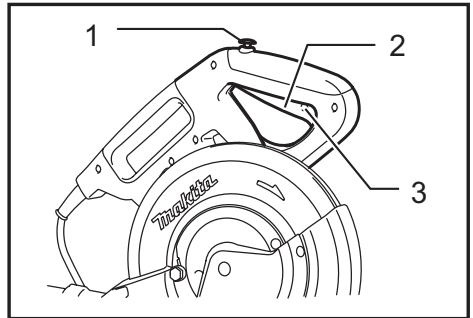
**Switch action**

To prevent the switch trigger from being accidentally pulled, a lock-off button is provided. To start the tool, press in the lock-off button and pull the switch trigger. Release the switch trigger to stop.

**WARNING:**

- **Before plugging in the tool, always check to see that the switch trigger actuates properly and returns to the "OFF" position when released. Do not pull the switch trigger hard without pressing in the lock-off button. This can cause switch breakage.** Operating a tool with a switch that does not actuate properly can lead to loss of control and serious personal injury.

A hole is provided in the switch trigger for insertion of a padlock to lock the tool off.



► 1. Lock-off button 2. Switch trigger 3. Hole for padlock

**WARNING:**

- **Do not use a lock with a shank or cable any smaller than 6.35 mm (1/4") in diameter.** A smaller shank or cable may not properly lock the tool in the off position and unintentional operation may occur resulting in serious personal injury.
- **NEVER use tool without a fully operative switch trigger.** Any tool with an inoperative switch is HIGHLY DANGEROUS and must be repaired before further usage or serious personal injury may occur.
- For your safety, this tool is equipped with a lock-off button which prevents the tool from unintended starting. NEVER use the tool if it runs when you simply pull the switch trigger without pressing the lock-off button. A switch in need of repair may result in unintentional operation and serious personal injury. Return tool to a Makita service center for proper repairs BEFORE further usage.
- NEVER defeat the lock-off button by taping down or some other means. A switch with a defeated lock-off button may result in unintentional operation and serious personal injury.

## Electric brake

This tool is equipped with an electric blade brake. If the tool consistently fails to quickly stop the blade after the switch trigger is released, have the tool serviced at a Makita service center.

### ⚠ CAUTION:

- The blade brake system is not a substitute for the blade guard. Never use tool without a functioning blade guard. An unguarded blade may result in serious personal injury.

## Electronic function

### Soft start feature

This function allows the smooth start-up of the tool by limiting the start-up torque.

### Laser beam action

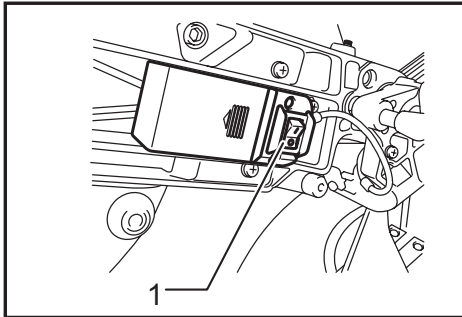
*For model LS1018L only*

#### NOTE:

- Before the first use, install two AA dry cells in the cell box. Refer to the section titled "Replacing the dry cells for laser unit" for the installment.

### ⚠ CAUTION:

- When not in use, be sure to turn off the laser



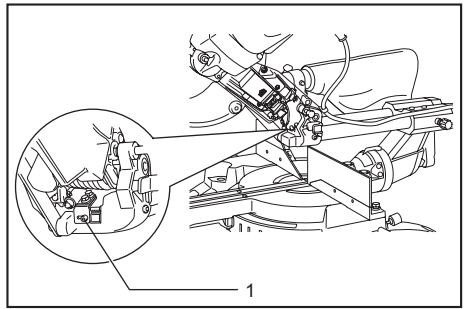
- ▶ 1. Switch for laser

### ⚠ CAUTION:

- LASER RADIATION  
Do not stare into beam.
- Before shifting the laser line or performing maintenance adjustment, be sure to unplug the tool.

To turn on the laser beam, press the upper position (I) of the switch. To turn off the laser beam, press the lower position (O) of the switch.

Laser line can be shifted to either the left or right side of the saw blade by loosening the screw holding the laser unit box and shifting it in the desired direction. After shifting, be sure to tighten the screw.



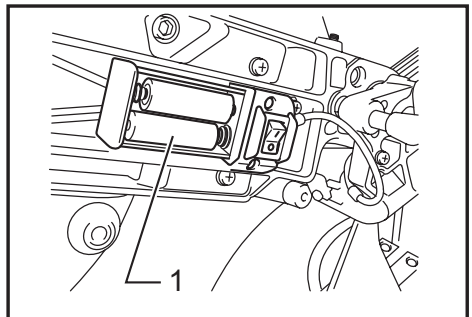
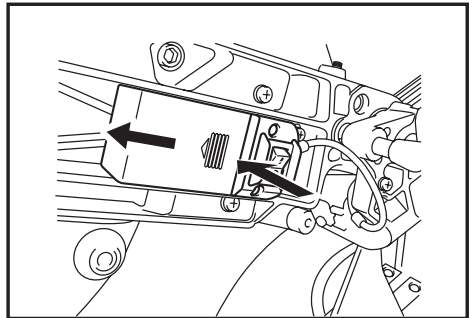
- ▶ 1. Screw holding the laser unit box

Laser line is factory adjusted so that it is positioned within 1 mm (0.04") from the side surface of the blade (cutting position).

#### NOTE:

- When laser line appears dim and hard to see because of direct sunlight, relocate the work area to a place where there is less direct sunlight.

## Replacing the dry cells for laser unit



- ▶ 1. Dry cell

Remove the lid for the dry cells for laser unit by sliding while pressing it. Take out the old dry cells and put the new ones as shown in the figure. After replacing, return the lid to cover it.

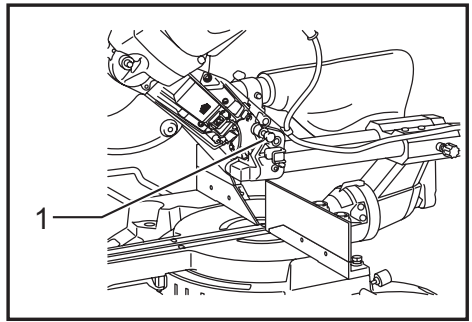


## Cleaning of the lens for the laser light

If the lens for the laser light becomes dirty, or sawdust adheres to it in such a way that the laser line is no longer easily visible, unplug the saw and remove and clean the lens for the laser light carefully with a damp, soft cloth. Do not use solvents or any petroleum-based cleaners on the lens.

### NOTE:

- When laser line is dim and almost or entirely invisible because of the direct sunlight in the indoor or outdoor window-by work, relocate the work area to a place not exposed to the direct sunlight.



► 1. Stopper pin

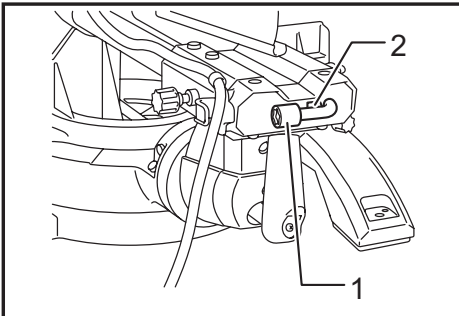
Lock the handle in the raised position by pushing in the stopper pin.

## ASSEMBLY

### ⚠ WARNING:

- **Always be sure that the tool is switched off and unplugged before working on the tool.** Failure to switch off and unplug the tool may result in serious personal injury.

## Storage of socket wrench with hex wrench on its other end



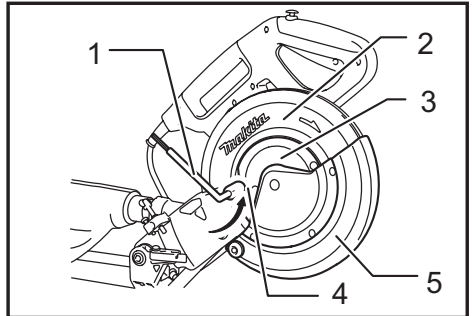
► 1. Socket wrench with hex wrench on its other end  
2. Wrench holder

The socket wrench is stored as shown in the figure. When the socket wrench is needed it can be pulled out of the wrench holder. After using the socket wrench it can be stored by returning it to the wrench holder.

## Installing or removing saw blade

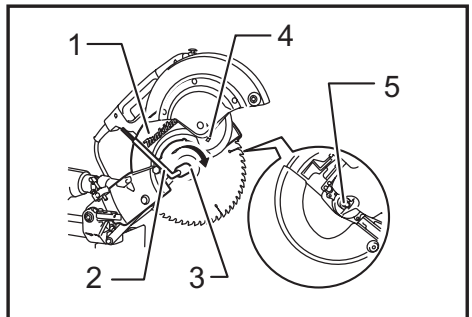
### ⚠ WARNING:

- **Always be sure that the tool is switched off and unplugged before installing or removing the blade.** Accidental start up of the tool may result in serious personal injury.
- **Use only the Makita socket wrench provided to install or remove the blade.** Failure to use the wrench may result in overtightening or insufficient tightening of the hex bolt and serious personal injury.



► 1. Socket wrench 2. Blade case 3. Center cover  
4. Hex bolt 5. Blade guard

To remove the blade, use the socket wrench to loosen the hex bolt holding the center cover by turning it counterclockwise. Raise the blade guard and center cover.



► 1. Blade case 2. Socket wrench 3. Hex bolt 4. Arrow  
5. Shaft lock

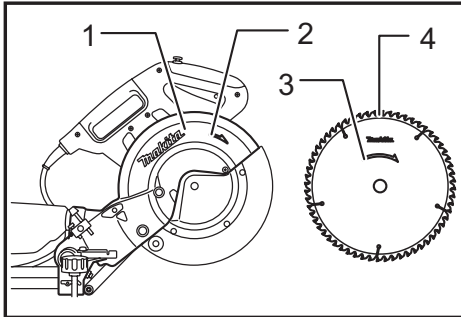
Press the shaft lock to lock the spindle and use the socket wrench to loosen the hex bolt clockwise. Then remove the hex bolt, outer flange and blade.

### NOTE:

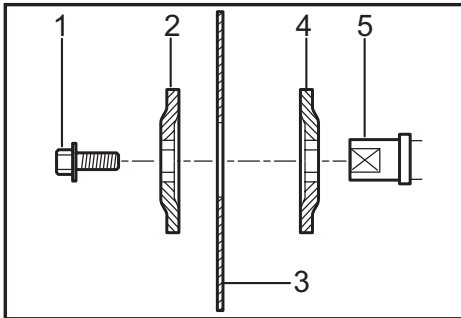
- If the inner flange is removed be sure to install it on the spindle with its protrusion facing away from the blade. If the flange is installed incorrectly the flange will rub against the machine.

### **⚠ WARNING:**

- Before mounting the blade onto the spindle, always be sure that the correct ring for the blade's arbor hole you intend to use is installed between the inner and the outer flanges. Use of the incorrect arbor hole ring may result in the improper mounting of the blade causing blade movement and severe vibration resulting in possible loss of control during operation and in serious personal injury.

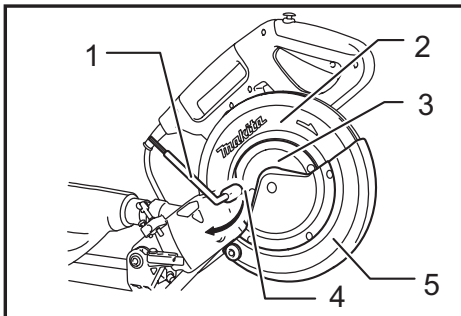


► 1. Blade case 2. Arrow 3. Arrow 4. Saw blade



► 1. Hex bolt 2. Outer flange 3. Saw blade 4. Inner flange 5. Spindle

To install the blade, mount it carefully onto the spindle, making sure that the direction of the arrow on the surface of the blade matches the direction of the arrow on the blade case. Install the outer flange and hex bolt, and then use the socket wrench to tighten the hex bolt (left-handed) securely counterclockwise while pressing the shaft lock.

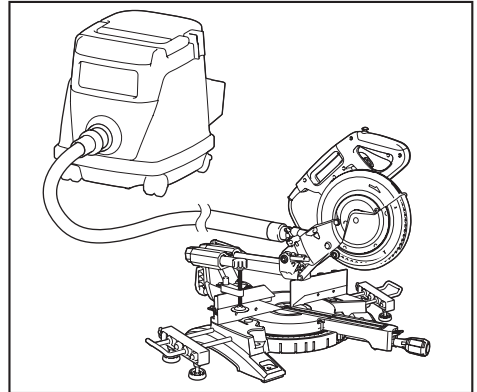


► 1. Socket wrench 2. Blade case 3. Center cover 4. Hex bolt 5. Blade guard

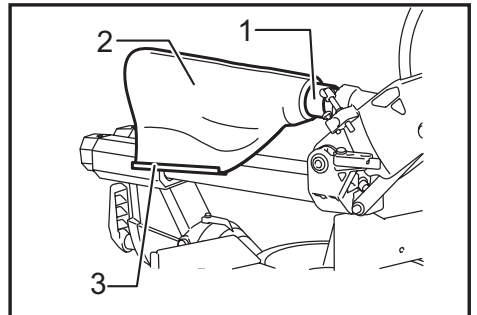
Return the blade guard and center cover to its original position. Then tighten the hex bolt clockwise to secure the center cover. Release the handle from the raised position by pulling the stopper pin. Lower the handle to make sure that the blade guard moves properly. Make sure the shaft lock has released spindle before making cut.

## **Connecting a vacuum cleaner**

When you wish to perform clean cutting operation, connect a Makita vacuum cleaner.



## **Dust bag**



► 1. Dust nozzle 2. Dust bag 3. Fastener

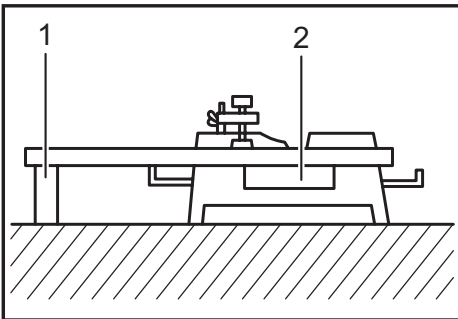
The use of the dust bag makes cutting operations cleaner and dust collection easier. To attach the dust bag, fit it onto the dust nozzle.

When the dust bag is about half full, remove the dust bag from the tool and pull the fastener out. Empty the dust bag of its contents, tapping it lightly so as to remove particles adhering to the insides which might hamper further collection.

## Securing workpiece

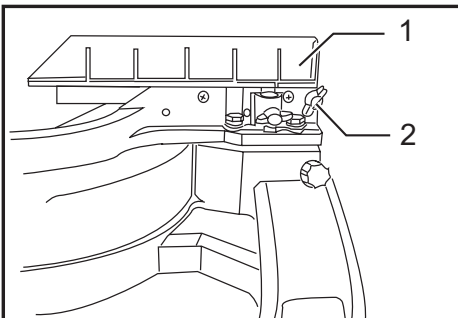
### ⚠ WARNING:

- It is extremely important to always secure the workpiece correctly with the proper type of vise or crown molding stoppers. Failure to do so may result in serious personal injury and cause damage to the tool and/or the workpiece.
- After a cutting operation do not raise the blade until it has come to a complete stop. The raising of a coasting blade may result in serious personal injury and damage to the workpiece.
- When cutting a workpiece that is longer than the support base of the saw, the material should be supported the entire length beyond the support base and at the same height to keep the material level. Proper workpiece support will help avoid blade pinch and possible kickback which may result in serious personal injury. Do not rely solely on the vertical vise and/or horizontal vise to secure the workpiece. Thin material tends to sag. Support workpiece over its entire length to avoid blade pinch and possible KICKBACK.



► 1. Support 2. Turn base

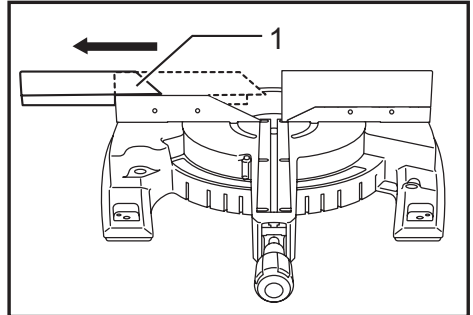
## Guide fence (SLIDING FENCES) adjustment



► 1. Sliding fence 2. Clamping screw

### ⚠ CAUTION:

- Before operating the tool, make sure that the sliding fence is secured firmly.
- Before bevel-cutting, make sure that no part of the tool, especially the blade, contacts the sliding fence when fully lowering and raising the handle in any position and while moving the carriage through its full range of travel. If the blade makes contact with the sliding fence, this may result in kickback or unexpected movement of the material and serious personal injury.



► 1. Sliding fence

### ⚠ CAUTION:

- When performing bevel cuts, slide the sliding fence to the left and secure it as shown in the figure. Otherwise, it will contact the blade or a part of the tool, causing possible serious injury to the operator.

This tool is equipped with the sliding fence which should ordinarily be positioned as shown in the figure.

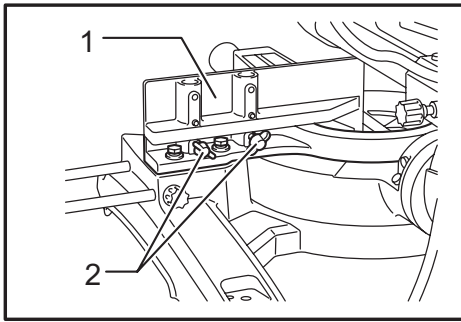
However, when performing left bevel cuts, set it to the left position as shown in the figure if the tool head contacts it.

When bevel-cutting operations are complete, don't forget to return the sliding fence to the original position and secure it by firmly tightening the clamping screw.

## Sub-fence R

### ⚠ WARNING:

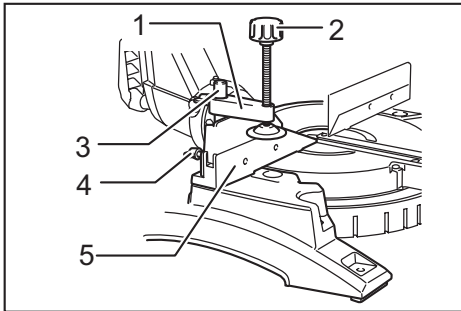
- Before operating the tool, make sure that the sub-fence R is secured firmly.
- Before performing right bevel cuts, remove the sub-fence R. It will contact the blade or a part of the tool, causing possible serious injury to the operator.



► 1. Sub-fence R 2. Screws

The sub-fence R can be removed from the right side of the guide fence. To remove the sub-fence R, loosen the screw which secures the sub-fence R and pull it out. Follow the removal procedure in reverse to install it. When bevel-cutting operations are complete, don't forget to return the sub-fence R to the original position and secure it by firmly tightening the clamping screw.

## Vertical vise



► 1. Vise arm 2. Vise knob 3. Vise rod 4. Screw 5. Guide fence

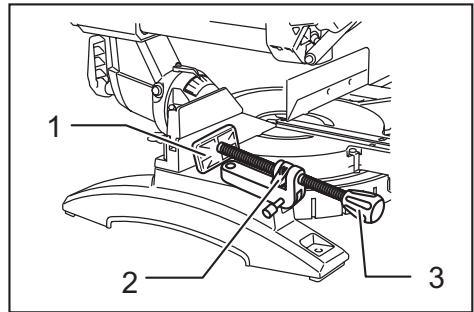
The vertical vise can be installed on either the left or right side of the guide fence. Insert the vise rod into the hole in the guide fence and tighten the screw on the back of the guide fence to secure the vise rod.

Position the vise arm according to the thickness and shape of the workpiece and secure the vise arm by tightening the screw. If the screw to secure the vise arm contacts the guide fence, install the screw on the opposite side of vise arm. Make sure that no part of the tool contacts the vise when lowering the handle fully and pulling or pushing the carriage all the way. If some part contacts the vise, re-position the vise. Press the workpiece flat against the guide fence and the turn base. Position the workpiece at the desired cutting position and secure it firmly by tightening the vise knob.

### ⚠WARNING:

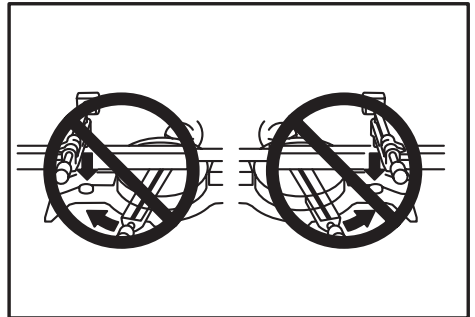
- **The workpiece must be secured firmly against the turn base and guide fence with the vise during all operations.** If the workpiece is not properly secured against the fence the material may move during the cutting operation causing possible damage to the blade, causing the material to be thrown and loss of control resulting in serious personal injury.

## Horizontal vise (optional accessory)



► 1. Vise plate 2. Vise nut 3. Vise knob

The horizontal vise can be installed in two positions on either the left or right side of the base. When performing 10° or greater miter cuts, install the horizontal vise on the side opposite the direction in which the turn base is to be turned.



By flipping the vise nut counterclockwise, the vise is released, and rapidly moves in and out. To grip the workpiece, push the vise knob forward until the vise plate contacts the workpiece and flip the vise nut clockwise. Then turn the vise knob clockwise to secure the workpiece.

The maximum width of workpiece which can be secured by the horizontal vise is 215 mm (8-1/2").

When installing the horizontal vise on the right side of the base, also use the sub-fence R to secure the workpiece more firmly. Refer to the "Sub-fence R" section described on previously for installing the sub-fence R.

### ⚠WARNING:

- **Always rotate the vise nut clockwise until the workpiece is properly secured.** If the workpiece is not properly secured the material may move during the cutting operation causing possible damage to the blade, causing the material to be thrown and loss of control resulting in serious personal injury.
- When cutting a thin workpiece, such as base boards, against the fence, always use the horizontal vise.

# OPERATION

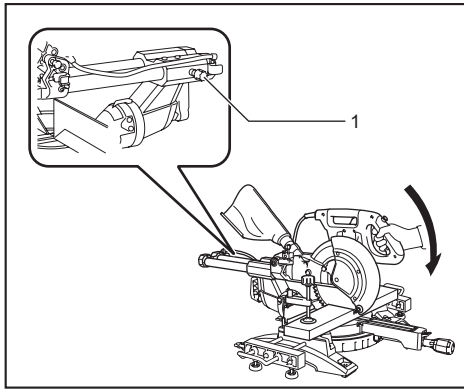
## NOTICE:

- Before use, be sure to release the handle from the lowered position by pulling the stopper pin.
- Do not apply excessive pressure on the handle when cutting. Too much force may result in overload of the motor and/or decreased cutting efficiency. Push down handle with only as much force as is necessary for smooth cutting and without significant decrease in blade speed.
- Gently press down the handle to perform the cut. If the handle is pressed down with force or if lateral force is applied, the blade will vibrate and leave a mark (saw mark) in the workpiece and the precision of the cut will be impaired.
- During a slide cut, gently push the carriage toward the guide fence without stopping. If the carriage movement is stopped during the cut, a mark will be left in the workpiece and the precision of the cut will be impaired.

## ⚠WARNING:

- **Make sure the blade is not contacting the workpiece, etc. before the switch is turned on.** Turning the tool on with the blade in contact with the workpiece may result in kickback and serious personal injury.

## 1. Press cutting (cutting small workpieces)



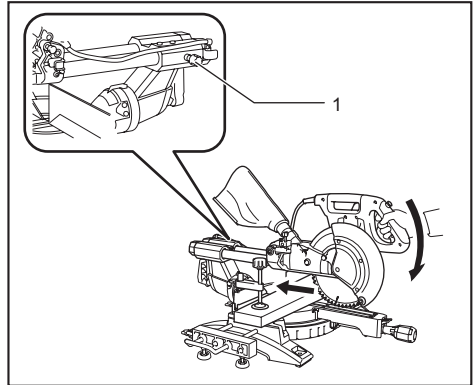
► 1. Locking screw

Workpieces up to 91 mm (3-5/8") high and 70 mm (2-3/4") wide can be cut in the following manner. Push the carriage toward the guide fence fully and tighten the locking screw clockwise to secure the carriage. Secure the workpiece correctly with the proper type of vise. Switch on the tool without the blade making any contact and wait until the blade attains full speed before lowering. Then gently lower the handle to the fully lowered position to cut the workpiece. When the cut is completed, switch off the tool and **WAIT UNTIL THE BLADE HAS COME TO A COMPLETE STOP** before returning the blade to its fully elevated position.

## ⚠WARNING:

- **Firmly tighten the knob clockwise so that the carriage will not move during operation.** Insufficient tightening of the knob may cause possible kickback which may result in serious personal injury.

## 2. Slide (push) cutting (cutting wide workpieces)



► 1. Locking screw

Loosen the locking screw counterclockwise so that the carriage can slide freely. Secure the workpiece with the proper type of vise. Pull the carriage toward you fully. Switch on the tool without the blade making any contact and wait until the blade attains full speed. Press the handle down and **PUSH THE CARRIAGE TOWARD THE GUIDE FENCE AND THROUGH THE WORKPIECE.** When the cut is completed, switch off the tool and **WAIT UNTIL THE BLADE HAS COME TO A COMPLETE STOP** before returning the blade to its fully elevated position.

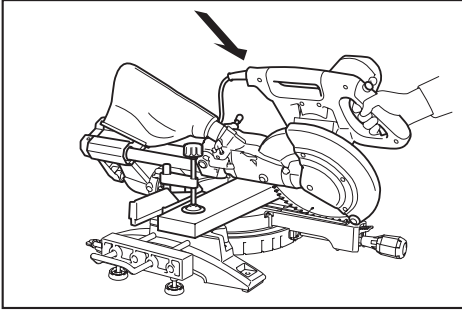
## ⚠WARNING:

- **Whenever performing a slide cut, first pull the carriage full towards you and press the handle all the way down, then push the carriage toward the guide fence. Never start the cut with the carriage not pulled fully toward you.** If you perform the slide cut without the carriage pulled fully toward you unexpected kickback may occur and serious personal injury may result.
- **Never attempt to perform a slide cut by pulling the carriage towards you.** Pulling the carriage towards you while cutting may cause unexpected kickback resulting in possible serious personal injury.
- Never perform the slide cut with the handle locked in the lowered position.
- **Never loosen the locking screw which secures the carriage while the blade is rotating.** A loose carriage while cutting may cause unexpected kickback resulting in possible serious personal injury.

### 3. Miter cutting

Refer to the previously covered "Adjusting the miter angle".

### 4. Bevel cut



Loosen the lever and tilt the saw blade to set the bevel angle (Refer to the previously covered "Adjusting the bevel angle"). Be sure to retighten the lever firmly to secure the selected bevel angle safely. Secure the workpiece with a vise. Make sure the carriage is pulled all the way back toward the operator. Switch on the tool without the blade making any contact and wait until the blade attains full speed. Then gently lower the handle to the fully lowered position while applying pressure in parallel with the blade and **PUSH THE CARRIAGE TOWARD THE GUIDE FENCE TO CUT THE WORKPIECE**. When the cut is completed, switch off the tool and **WAIT UNTIL THE BLADE HAS COME TO A COMPLETE STOP** before returning the blade to its fully elevated position.

#### ⚠ WARNING:

- **After setting the blade for a bevel cut, before operating the tool ensure that the carriage and blade will have free travel throughout the entire range of the intended cut.** Interruption of the carriage or blade travel during the cutting operation may result in kickback and serious personal injury.
- **While making a bevel cut keep hands out of the path of the blade.** The angle of the blade may confuse the operator as to the actual blade path while cutting and contact with the blade will result in serious personal injury.
- **The blade should not be raised until it has come to a complete stop.** During a bevel cut the piece cut off may come to rest against the blade. If the blade is raised while it is rotating the cut-off piece maybe ejected by the blade causing the material to fragment which may result in serious personal injury.

#### NOTICE:

- When pressing down the handle, apply pressure in parallel with the blade. If a force is applied perpendicularly to the turn base or if the pressure direction is changed during a cut, the precision of the cut will be impaired.
- Before bevel-cutting, an adjustment of the sliding fence may be required. Refer to the section titled "Guide fence adjustment".

#### ⚠ CAUTION:

- Always remove the sub-fence R so that it does not interfere any part of the carriage when performing right bevel cuts.

### 5. Compound cutting

Compound cutting is the process in which a bevel angle is made at the same time in which a miter angle is being cut on a workpiece. Compound cutting can be performed at the angle shown in the table.

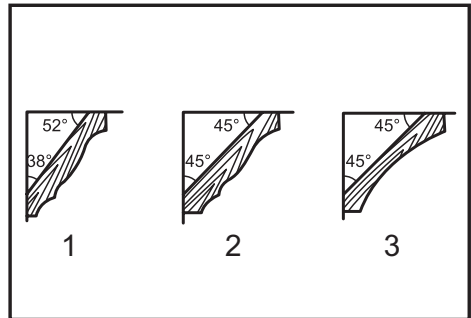
Miter angle	Bevel angle
Left and Right 0° - 45°	Left and Right 0° - 45°

When performing compound cutting, refer to "Press cutting", "Slide cutting", "Miter cutting" and "Bevel cut" explanations.

### 6. Cutting crown and cove moldings

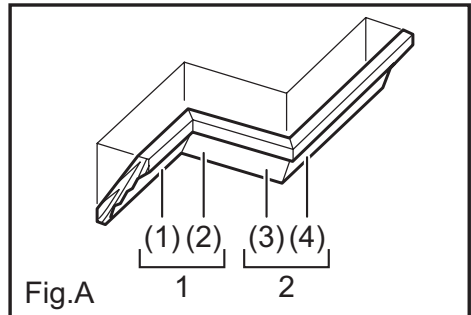
Crown and cove moldings can be cut on a compound miter saw with the moldings laid flat on the turn base.

There are two common types of crown moldings and one type of cove moldings; 52/38° wall angle crown molding, 45° wall angle crown molding and 45° wall angle cove molding. See illustrations.

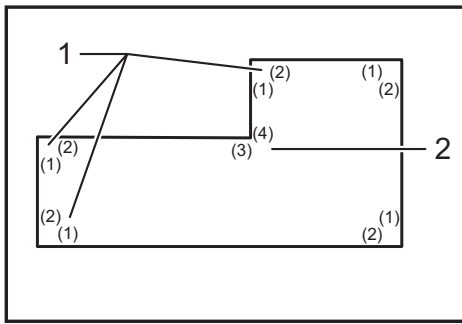


► 1. 52/38° type crown molding 2. 45° type crown molding 3. 45° type cove molding

There are crown and cove molding joints which are made to fit "Inside" 90° corners ((1) and (2) in Fig. A) and "Outside" 90° corners ((3) and (4) in Fig. A).



1. Inside corner 2. Outside corner



► 1. Inside corner 2. Outside corner

### Measuring

Measure the wall length and adjust workpiece on table to cut wall contact edge to desired length. Always make sure that cut workpiece length **at the back of the workpiece** is the same as wall length. Adjust cut length for angle of cut. Always use several pieces for test cuts to check the saw angles. When cutting crown and cove moldings, set the bevel angle and miter angle as indicated in the table (A) and position the moldings on the top surface of the saw base as indicated in the table (B).

### In the case of left bevel cut

Table (A)

	Molding position in Fig. A	Bevel angle		Miter angle	
		52/38° type	45° type	52/38° type	45° type
For inside corner	(1)	Left 33.9°	Left 30°	Right 31.6°	Right 35.3°
	(2)			Left 31.6°	Left 35.3°
For outside corner	(3)			Right 31.6°	Right 35.3°
	(4)				

Table (B)

	Molding position in Fig. A	Molding edge against guide fence	Finished piece
For inside corner	(1)	Ceiling contact edge should be against guide fence.	Finished piece will be on the Left side of blade.
	(2)	Wall contact edge should be against guide fence.	
For outside corner	(3)	Wall contact edge should be against guide fence.	Finished piece will be on the Right side of blade.
	(4)	Ceiling contact edge should be against guide fence.	

**EXAMPLE** In the case of cutting 52/38° type crown molding for position (1) in Fig. A:

- Tilt and secure bevel angle setting to 33.9° LEFT.
- Adjust and secure miter angle setting to 31.6° RIGHT.
- Lay crown molding with its broad back (hidden) surface down on the turn base with its CEILING CONTACT EDGE against the guide fence on the saw.
- The finished piece to be used will always be on the LEFT side of the blade after the cut has been made.

### In the case of right bevel cut

Table (A)

	Molding position in Fig. A	Bevel angle		Miter angle	
		52/38° type	45° type	52/38° type	45° type
For inside corner	(1)	Right 33.9°	Right 30°	Right 31.6°	Right 35.3°
	(2)			Left 31.6°	Left 35.3°
For outside corner	(3)			Right 31.6°	Right 35.3°
	(4)				

Table (B)

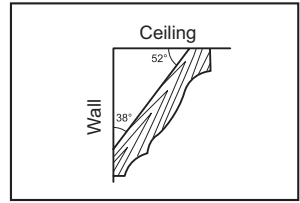
	Molding position in Fig. A	Molding edge against guide fence	Finished piece
For inside corner	(1)	Wall contact edge should be against guide fence.	Finished piece will be on the Right side of blade.
	(2)	Ceiling contact edge should be against guide fence.	
For outside corner	(3)	Wall contact edge should be against guide fence.	Finished piece will be on the Left side of blade.
	(4)	Wall contact edge should be against guide fence.	

**EXAMPLE** In the case of cutting 52/38° type crown molding for position (1) in Fig. A:

- Tilt and secure bevel angle setting to 33.9° RIGHT.
- Adjust and secure miter angle setting to 31.6° RIGHT.
- Lay crown molding with its broad back (hidden) surface down on the turn base with its WALL CONTACT EDGE against the guide fence on the saw.
- The finished piece to be used will always be on the RIGHT side of the blade after the cut has been made.



## Compound Miter Saw Miter and Bevel Angle Settings



000031

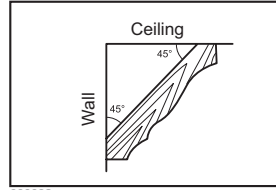
Wall to Crown Molding Angle: 52/38 degrees

Wall Angle (deg.)	Bevel Angle (deg.)	Miter Angle (deg.)
60	43.0	46.8
61	42.8	46.3
62	42.5	45.7
63	42.2	45.1
64	41.9	44.6
65	41.7	44.0
66	41.4	43.5
67	41.1	42.9
68	40.8	42.4
69	40.5	41.9
70	40.2	41.3
71	39.9	40.8
72	39.6	40.3
73	39.3	39.8
74	39.0	39.2
75	38.7	38.7
76	38.4	38.2
77	38.1	37.7
78	37.8	37.2
79	37.4	36.8
80	37.1	36.3
81	36.8	35.8
82	36.5	35.3
83	36.2	34.8
84	35.8	34.4
85	35.5	33.9
86	35.2	33.4
87	34.9	33.0
88	34.5	32.5
89	34.2	32.1
90	33.9	31.6
91	33.5	31.2
92	33.2	30.7
93	32.8	30.3
94	32.5	29.9
95	32.2	29.4
96	31.8	29.0
97	31.5	28.6
98	31.1	28.2
99	30.8	27.7
100	30.4	27.3

Wall Angle (deg.)	Bevel Angle (deg.)	Miter Angle (deg.)
101	30.1	26.9
102	29.7	26.5
103	29.4	26.1
104	29.0	25.7
105	28.7	25.3
106	28.3	24.9
107	28.0	24.5
108	27.6	24.1
109	27.2	23.7
110	26.9	23.3
111	26.5	22.9
112	26.1	22.6
113	25.8	22.2
114	25.4	21.8
115	25.0	21.4
116	24.7	21.0
117	24.3	20.7
118	23.9	20.3
119	23.6	19.9
120	23.2	19.6
121	22.8	19.2
122	22.5	18.8
123	22.1	18.5
124	21.7	18.1
125	21.3	17.8
126	21.0	17.4
127	20.6	17.1
128	20.2	16.7
129	19.8	16.4
130	19.5	16.0
131	19.1	15.7
132	18.7	15.3
133	18.3	15.0
134	17.9	14.6
135	17.6	14.3
136	17.2	14.0
137	16.8	13.6
138	16.4	13.3
139	16.0	13.0
140	15.6	12.8

Wall Angle (deg.)	Bevel Angle (deg.)	Miter Angle (deg.)
141	15.3	12.3
142	14.9	12.0
143	14.5	11.6
144	14.1	11.3
145	13.7	11.0
146	13.3	10.7
147	12.9	10.3
148	12.5	10.0
149	12.2	9.7
150	11.8	9.4
151	11.4	9.0
152	11.0	8.7
153	10.8	8.4
154	10.2	8.1
155	9.8	7.8
156	9.4	7.5
157	9.0	7.1
158	8.6	6.8
159	8.3	6.5
160	7.9	6.2
161	7.5	5.9
162	7.1	5.6
163	6.7	5.3
164	6.3	4.9
165	5.9	4.6
166	5.5	4.3
167	5.1	4.0
168	4.7	3.7
169	4.3	3.4
170	3.9	3.1
171	3.5	2.8
172	3.2	2.5
173	2.8	2.2
174	2.4	1.8
175	2.0	1.5
176	1.6	1.2
177	1.2	0.9
178	0.8	0.6
179	0.4	0.3
180	0.0	0.0

## Compound Miter Saw Miter and Bevel Angle Settings



000032

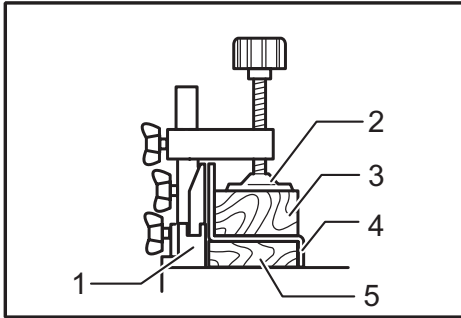
Wall to Crown Molding Angle: 45 degrees

Wall Angle (deg.)	Bevel Angle (deg.)	Miter Angle (deg.)
60	37.8	50.8
61	37.5	50.2
62	37.3	49.6
63	37.1	49.1
64	36.8	48.5
65	36.6	48.0
66	36.4	47.4
67	36.1	46.9
68	35.9	46.4
69	35.6	45.8
70	35.4	45.3
71	35.1	44.8
72	34.9	44.2
73	34.6	43.7
74	34.4	43.2
75	34.1	42.7
76	33.9	42.1
77	33.6	41.6
78	33.3	41.1
79	33.1	40.6
80	32.8	40.1
81	32.5	39.6
82	32.3	39.1
83	32.0	38.6
84	31.7	38.1
85	31.4	37.7
86	31.1	37.2
87	30.9	36.7
88	30.6	36.2
89	30.3	35.7
90	30.0	35.3
91	29.7	34.8
92	29.4	34.3
93	29.1	33.9
94	28.8	33.4
95	28.5	32.9
96	28.2	32.5
97	27.9	32.0
98	27.6	31.6
99	27.3	31.1
100	27.0	30.7

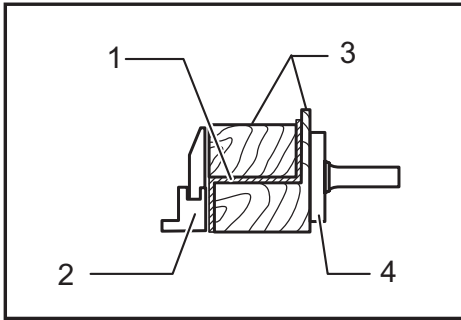
Wall Angle (deg.)	Bevel Angle (deg.)	Miter Angle (deg.)
101	26.7	30.2
102	26.4	29.8
103	26.1	29.4
104	25.8	28.9
105	25.5	28.5
106	25.2	28.1
107	24.9	27.6
108	24.6	27.2
109	24.2	26.8
110	23.9	26.3
111	23.6	25.9
112	23.3	25.5
113	23.0	25.1
114	22.7	24.7
115	22.3	24.3
116	22.0	23.8
117	21.7	23.4
118	21.4	23.0
119	21.0	22.6
120	20.7	22.2
121	20.4	21.8
122	20.0	21.4
123	19.7	21.0
124	19.4	20.6
125	19.1	20.2
126	18.7	19.8
127	18.4	19.4
128	18.1	19.0
129	17.7	18.6
130	17.4	18.2
131	17.1	17.9
132	16.7	17.5
133	16.4	17.1
134	16.0	16.7
135	15.7	16.3
136	15.4	15.9
137	15.0	15.6
138	14.7	15.2
139	14.3	14.8
140	14.0	14.4

Wall Angle (deg.)	Bevel Angle (deg.)	Miter Angle (deg.)
141	13.7	14.1
142	13.3	13.7
143	13.0	13.3
144	12.6	12.9
145	12.3	12.6
146	11.9	12.2
147	11.6	11.8
148	11.2	11.5
149	10.9	11.1
150	10.5	10.7
151	10.2	10.4
152	9.8	10.0
153	9.5	9.6
154	9.2	9.3
155	8.8	8.9
156	8.5	8.5
157	8.1	8.2
158	7.8	7.8
159	7.4	7.5
160	7.1	7.1
161	6.7	6.7
162	6.4	6.4
163	6.0	6.0
164	5.6	5.7
165	5.3	5.3
166	4.9	5.0
167	4.6	4.6
168	4.2	4.3
169	3.9	3.9
170	3.5	3.5
171	3.2	3.2
172	2.8	2.8
173	2.5	2.5
174	2.1	2.1
175	1.8	1.8
176	1.4	1.4
177	1.1	1.1
178	0.7	0.7
179	0.4	0.4
180	0.0	0.0

## 7. Cutting aluminum extrusion



- 1. Guide fence 2. Vise 3. Spacer block 4. Aluminum extrusion 5. Spacer block



- 1. Aluminum extrusion 2. Guide fence 3. Spacer block 4. Horizontal vise (optional accessory)

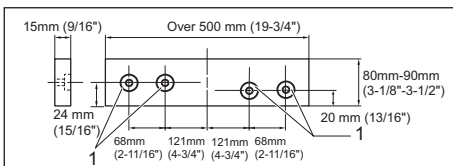
When securing aluminum extrusions, use spacer blocks or pieces of scrap as shown in the figure to prevent deformation of the aluminum. Use a cutting lubricant when cutting the aluminum extrusion to prevent build-up of the aluminum material on the blade.

### ⚠ WARNING:

- **Never attempt to cut thick or round aluminum extrusions.** Thick or round aluminum extrusions can be difficult to secure and may work loose during the cutting operation which may result in loss of control and serious personal injury.

## 8. Wood facing

Use of wood facing helps to assure splinter-free cuts in workpieces. Attach a wood facing to the guide fence using the holes in the guide fence. See the figure concerning the dimensions for a suggested wood facing.



1. Holes

### ⚠ CAUTION:

- Use straight wood of even thickness as the wood facing.

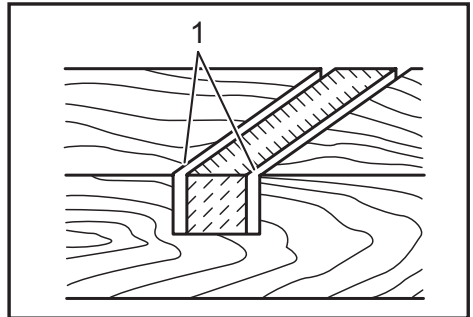
### ⚠ WARNING:

- **Use screws to attach the wood facing to the guide fence. The screws should be installed so that the screw heads are below the surface of the wood facing so that they will not interfere with the positioning of the material being cut.** Misalignment of the material being cut can cause unexpected movement during the cutting operation which may result in a loss of control and serious personal injury.

### NOTICE:

- When the wood facing is attached, do not turn the turn base with the handle lowered. The blade and/or the wood facing will be damaged.

## 9. Groove cutting



- 1. Cut grooves with blade

A dado type cut can be made by proceeding as follows: Adjust the lower limit position of the blade using the adjusting screw and the stopper arm to limit the cutting depth of the blade. Refer to "Stopper arm" section described previously. After adjusting the lower limit position of the blade, cut parallel grooves across the width of the workpiece using a slide (push) cut as shown in the figure. Then remove the workpiece material between the grooves with a chisel.

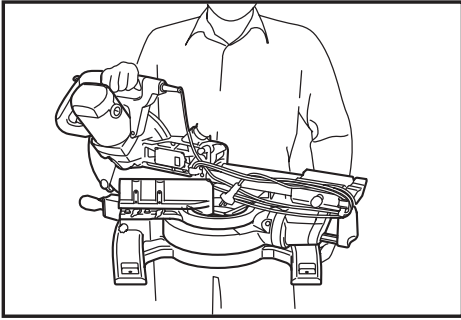
### ⚠ WARNING:

- **Do not attempt to perform this type of cut by using a wider type blade or dado blade.** Attempting to make a groove cut with a wider blade or dado blade could lead to unexpected cutting results and kickback which may result in serious personal injury.
- **Be sure to return the stopper arm to the original position when performing other than groove cutting.** Attempting to make cuts with the stopper arm in the incorrect position could lead to unexpected cutting results and kickback which may result in serious personal injury.

### ⚠ CAUTION:

- Be sure to return the stopper arm to the original position when performing other than groove cutting.

## Carrying tool



Make sure that the tool is unplugged. Secure the blade at 0° bevel angle and the turn base at the full right miter angle position. Secure the slide poles so that the lower slide pole is locked in the position of the carriage fully pulled to operator and the upper poles are locked in the position of the carriage fully pushed forward to the guide fence (refer to the section titled "Slide lock adjustment".) Lower the handle fully and lock it in the lowered position by pushing in the stopper pin. Wind the power supply cord using the cord rests.

### **⚠WARNING:**

- **Stopper pin is only for carrying and storage purposes and should never be used for any cutting operations.** The use of the stopper pin for cutting operations may cause unexpected movement of the saw blade resulting in kickback and serious personal injury.

Carry the tool by holding both sides of the tool base as shown in the figure. If you remove the holders, dust bag, etc., you can carry the tool more easily.

### **⚠CAUTION:**

- Always secure all moving portions before carrying the tool. If portions of the tool move or slide while being carried loss of control or balance may occur resulting in personal injury.

## MAINTENANCE

### **⚠WARNING:**

- **Always be sure that the tool is switched off and unplugged before attempting to perform inspection or maintenance.** Failure to unplug and switch off the tool may result in accidental start up of the tool which may result in serious personal injury.
- **Always be sure that the blade is sharp and clean for the best and safest performance.** Attempting a cut with a dull and /or dirty blade may cause kickback and result in a serious personal injury.

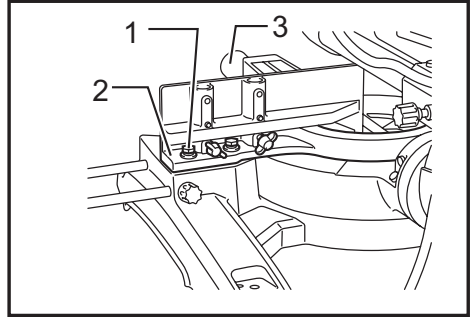
### **NOTICE:**

- Never use gasoline, benzine, thinner, alcohol or the like. Discoloration, deformation or cracks may result.

## Adjusting the cutting angle

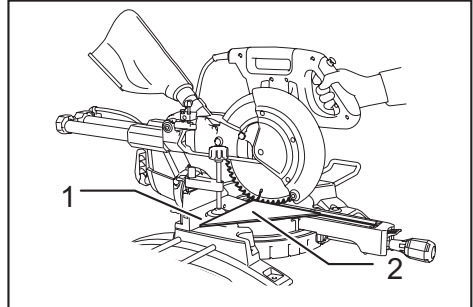
This tool is carefully adjusted and aligned at the factory, but rough handling may have affected the alignment. If your tool is not aligned properly, perform the following:

### 1. Miter angle



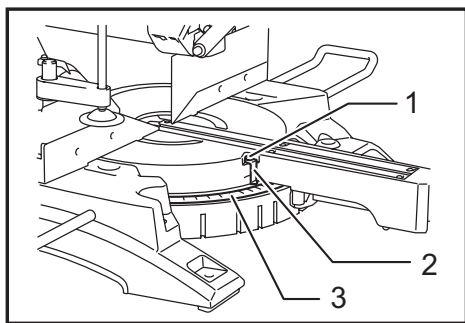
- 1. Hex bolt 2. Guide fence 3. Grip

Push the carriage toward the guide fence and tighten the locking screw to secure the carriage. Loosen the grip which secures the turn base. Turn the turn base so that the pointer points to 0° on the miter scale. Then turn the turn base slightly clockwise and counterclockwise to seat the turn base in the 0° miter notch. (Leave as it is if the pointer does not point to 0°.) Loosen the hex socket bolts securing the guide fence using the socket wrench.



- 1. Guide fence 2. Triangular rule

Lower the handle fully and lock it in the lowered position by pushing in the stopper pin. Square the side of the blade with the face of the guide fence using a triangular rule, try-square, etc. Then securely tighten the hex socket bolts on the guide fence in order starting from the right side.

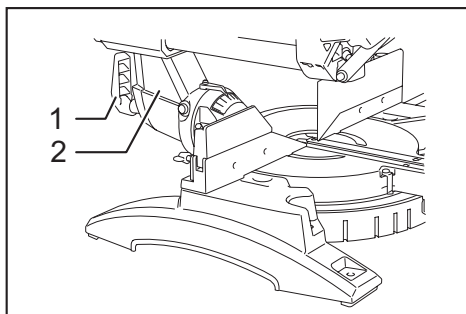


► 1. Screw 2. Pointer 3. Miter scale

Make sure that the pointer points to 0° on the miter scale. If the pointer does not point to 0°, loosen the screw which secures the pointer and adjust the pointer so that it will point to 0°.

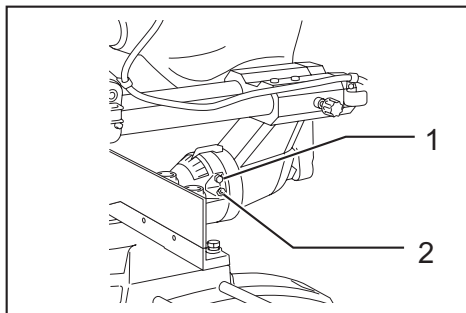
## 2. Bevel angle

(1) 0° bevel angle



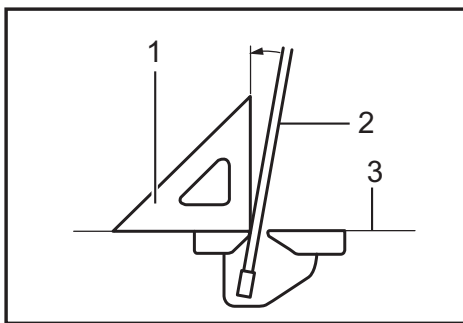
► 1. Lever 2. Arm

Push the carriage toward the guide fence and tighten the locking screw to secure the carriage. Lower the handle fully and lock it in the lowered position by pushing in the stopper pin. Loosen the lever at the rear of the tool.



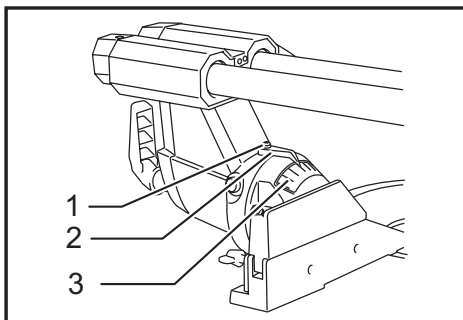
► 1. 0° adjusting bolt 2. Left 45° bevel angle adjusting bolt

Turn the hex bolt on the right side of the arm two or three revolutions counterclockwise to tilt the blade to the right.



► 1. Triangular rule 2. Saw blade 3. Top surface of turn table

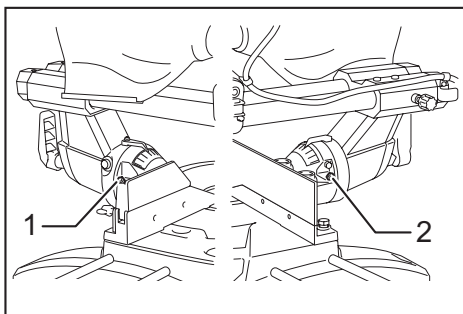
Carefully square the side of the blade with the top surface of the turn base using the blade with the triangular rule, try-square, etc. by turning the hex bolt on the right side of the arm clockwise. Then tighten the lever securely.



► 1. Screw 2. Pointer 3. Bevel scale

Make sure that the pointer on the arm point to 0° on the bevel scale on the arm holder. If they do not point to 0°, loosen the screw which secure the pointer and adjust it so that it will point to 0°.

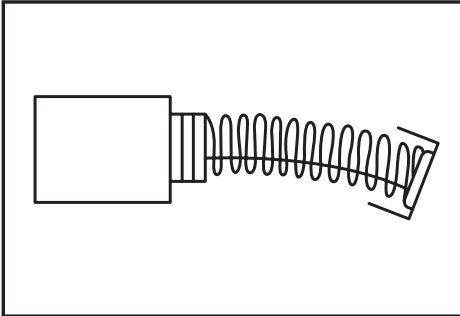
(2) 45° bevel angle



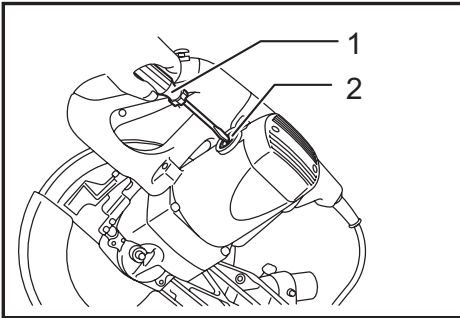
► 1. Right 45° bevel angle adjusting bolt 2. Left 45° bevel angle adjusting bolt

Adjust the 45° bevel angle only after performing 0° bevel angle adjustment. To adjust left 45° bevel angle, loosen the lever and tilt the blade to the left fully. Make sure that the pointer on the arm points to 45° on the bevel scale on the arm holder. If the pointer does not point to 45°, turn the 45° bevel angle adjusting bolt on the right side of the arm holder until the pointer points to 45°.

To adjust the right 45° bevel angle, perform the same procedure as that described above.



Remove and check the carbon brushes regularly. Replace when they wear down to 3 mm in length. Keep the carbon brushes clean and free to slip in the holders. Both carbon brushes should be replaced at the same time. Use only identical carbon brushes. Use a screwdriver to remove the brush holder caps. Take out the worn carbon brushes, insert the new ones and secure the brush holder caps.



► 1. Screwdriver 2. Brush holder cap

After replacing brushes, plug in the tool and break in brushes by running tool with no load for about 10 minutes. Then check the tool while running and electric brake operation when releasing the switch trigger. If the electric brake is not working correctly, have the tool repaired by a Makita service center

## After use

- After use, wipe off chips and dust adhering to the tool with a cloth or the like. Keep the blade guard clean according to the directions in the previously covered section titled "Blade guard". Lubricate the sliding portions with machine oil to prevent rust.
- When storing the tool, pull the carriage toward you fully.

To maintain product SAFETY and RELIABILITY, repairs, any other maintenance or adjustment should be performed by Makita Authorized or Factory Service Centers, always using Makita replacement parts.

## OPTIONAL ACCESSORIES

### ⚠WARNING:

- These Makita accessories or attachments are recommended for use with your Makita tool specified in this manual. The use of any other accessories or attachments may result in serious personal injury.
- Only use the Makita accessory or attachment for its stated purpose. Misuse of an accessory or attachment may result in serious personal injury.

If you need any assistance for more details regarding these accessories, ask your local Makita Service Center.

- Steel & Carbide-tipped saw blades (Refer to our website or contact your local Makita dealer for the correct saw blades to be used for the material to be cut.)
- Sub-fence R
- Vise assembly (Horizontal vise)
- Vertical vise
- Socket wrench with hex wrench on its other end
- Holder
- Holder assembly
- Dust bag
- Elbow
- Triangular rule

### NOTE:

- Some items in the list may be included in the tool package as standard accessories. They may differ from country to country.

## MAKITA LIMITED WARRANTY

Please refer to the annexed warranty sheet for the most current warranty terms applicable to this product. If annexed warranty sheet is not available, refer to the warranty details set forth at below website for your respective country.

United States of America: [www.makitatools.com](http://www.makitatools.com)

Canada: [www.makita.ca](http://www.makita.ca)

Other countries: [www.makita.com](http://www.makita.com)

## SPÉCIFICATIONS

Modèle	LS1018 / LS1018L
Diamètre de la lame	255 mm (10")
Diamètre de l'orifice	15,88 mm (5/8")
Épaisseur max. de découpe de la lame de scie	3,2 mm (1/8")
Angle d'onglet max.	Droite 60° Gauche 47°
Angle de biseau max.	Droite 45° Gauche 45°
Vitesse à vide (T/MIN)	4 300 /min
Type de laser (LS1018L uniquement)	Longueur d'ondes 650 nm, sortie maximale < 1mW (Laser Classe II)
Dimensions (L x P x H)	825 mm x 536 mm x 633 mm (32-1/2" x 21-1/8" x 25")
Poids net	21,5 kg (47,4 lbs)

- Étant donné l'évolution constante de notre programme de recherche et de développement, les spécifications contenues dans ce manuel sont sujettes à modification sans préavis.
- Les spécifications peuvent varier suivant les pays.
- Poids selon la procédure EPTA 01/2014

### Capacités de coupe maximales (H x P)

Angle de coupe d'onglet	Angle de coupe en biseau		
	45° (Gauche)	0°	45° (droite)
0°	50 mm x 305 mm (2" x 12")	91 mm x 305 mm (3-5/8" x 12")	31 mm x 305 mm (1-1/4" x 12")
45°	50 mm x 215 mm (2" x 8-1/2")	91 mm x 215 mm (3-5/8" x 8-1/2")	31 mm x 215 mm (1-1/4" x 8-1/2")
60°(droite)	-	91 mm x 150 mm (3-5/8" x 5-7/8")	-

## CONSIGNES DE SÉCURITÉ

### Consignes de sécurité générales pour outils électriques

**⚠ MISE EN GARDE :** Veuillez lire toutes les mises en garde, instructions, illustrations et spécifications qui accompagnent cet outil électrique. Ne pas suivre toutes les instructions de la liste ci-dessous peut entraîner une décharge électrique, un incendie et/ou une grave blessure.

### Conservez toutes les mises en garde et instructions pour référence future.

Le terme « outil électrique » qui figure dans les avertissements fait référence à un outil électrique branché sur une prise de courant (par un cordon d'alimentation) ou alimenté par batterie (sans fil).

#### Sécurité de la zone de travail

1. **Maintenez la zone de travail propre et bien éclairée.** Les zones de travail encombrées ou sombres ouvrent toute grande la porte aux accidents.

2. **N'utilisez pas les outils électriques dans les atmosphères explosives, telles que celles où sont présents des liquides, gaz ou poussières inflammables.** Les outils électriques génèrent des étincelles qui peuvent allumer les poussières ou les vapeurs.
3. **Gardez les enfants et personnes présentes à l'écart pendant l'utilisation d'un outil électrique.** Toute distraction peut vous faire perdre la maîtrise de l'outil.

#### Sécurité en matière d'électricité

1. **Les fiches d'outil électrique doivent correspondre à la prise de courant. Ne modifiez jamais la fiche, de quelque façon que ce soit. N'utilisez aucune fiche d'adaptation avec les outils électriques mis à la terre (à la masse).** Les fiches non modifiées et les prises de courant correspondantes réduisent le risque de décharge électrique.
2. **Évitez tout contact avec les surfaces mises à la terre ou à la masse, telles que celles des tuyaux, radiateurs, cuisinières et réfrigérateurs.** Le risque de décharge électrique augmente si votre corps est mis à la terre ou à la masse.
3. **N'exposez pas les outils électriques à la pluie ou à des surfaces mouillées.** La pénétration d'eau dans un outil électrique augmente le risque de décharge électrique.



4. **Ne maltraitez pas le cordon. N'utilisez jamais le cordon pour transporter, tirer sur ou débrancher l'outil électrique. Gardez le cordon à l'écart de la chaleur, de l'huile, des bords tranchants ou des pièces en mouvement.** Les cordons endommagés ou enchevêtrés augmentent le risque de décharge électrique.
5. **Lorsque vous utilisez un outil électrique à l'extérieur, faites-le avec un cordon prolongateur conçu pour l'usage extérieur.** Utiliser un cordon conçu pour l'usage extérieur réduit le risque de décharge électrique.
6. **Si l'utilisation d'un outil électrique dans un emplacement humide est inévitable, utilisez une source d'alimentation protégée par un disjoncteur différentiel de fuite à la terre (DDFT).** Utiliser un DDFT réduit le risque de décharge électrique.
7. **Les outils électriques peuvent produire des champs électromagnétiques (CEM) qui ne sont pas préjudiciables à l'utilisateur.** Les utilisateurs de stimulateur cardiaque ou autres appareils médicaux similaires doivent toutefois demander conseil au fabricant et/ou à leur médecin avant d'utiliser cet outil électrique.
8. **Ne touchez pas la fiche d'alimentation avec les mains mouillées.**
9. **Si le cordon est endommagé, faites-le remplacer par le fabricant ou son représentant, pour éviter les risques d'accident.**
6. **Portez des vêtements adéquats. Ne portez ni vêtements amples ni bijoux. Gardez vos cheveux, vêtements et gants à l'écart des pièces en mouvement.** Les vêtements amples, bijoux ou cheveux longs peuvent être happés par les pièces en mouvement.
7. **Si des accessoires sont fournis pour raccorder un appareil d'aspiration et de collecte des poussières, assurez-vous qu'ils sont correctement raccordés et qu'ils sont utilisés de manière adéquate.** L'utilisation d'un appareil de collecte des poussières permet de réduire les risques liés à la présence de poussières dans l'air.
8. **Ne vous laissez pas abuser, au point d'être sûr de vous et d'ignorer les principes de sécurité, par un sentiment de familiarité acquis par l'utilisation fréquente des outils électriques.** Un geste irréfléchi peut entraîner une grave blessure en une fraction de seconde.
9. **Portez toujours des lunettes à coques de protection pour protéger vos yeux contre les blessures lors de l'utilisation d'outils électriques. Les lunettes à coques doivent être conformes à ANSI Z87.1 aux États-Unis.** L'employeur a la responsabilité d'imposer l'utilisation d'équipements de protection de sécurité adéquats aux utilisateurs des outils électriques et à toute autre personne se trouvant dans la zone de travail immédiate.

#### Sécurité personnelle

1. **Restez vigilant, attentif à vos gestes et faites preuve de bon sens pendant l'utilisation d'un outil électrique. N'utilisez pas un outil électrique lorsque vous êtes fatigué ou sous l'influence d'une drogue, de l'alcool ou d'un médicament.** Tout moment d'inattention pendant l'utilisation des outils électriques peut entraîner une grave blessure.
2. **Utilisez l'équipement de protection individuel. Portez toujours un protecteur pour la vue.** Utilisé dans les conditions adéquates, l'équipement de protection - masque antipoussière, chaussures de sécurité antidérapantes, casque de protection ou protecteur auditif - réduit le risque de blessures.
3. **Évitez le démarrage accidentel. Assurez-vous que l'interrupteur est sur la position d'arrêt avant de connecter la source d'alimentation et/ou la batterie, de saisir l'outil ou de le transporter.** Transporter les outils électriques avec le doigt sur l'interrupteur, ou les connecter à une source d'alimentation alors que l'interrupteur est en position de marche ouvre toute grande la porte aux accidents.
4. **Retirez toute clé de serrage ou de réglage avant de mettre l'outil électrique en marche.** Une clé laissée en place sur une pièce rotative de l'outil électrique peut entraîner une blessure.
5. **Ne vous étirez pas trop. Assurez-vous d'une bonne prise au sol et d'une bonne position d'équilibre en tout temps.** Cela procure une meilleure maîtrise de l'outil électrique dans les situations imprévues.
5. **Utilisation et entretien des outils électriques**
  1. **Ne forcez pas l'outil électrique. Utilisez l'outil électrique qui convient à votre application.** Si vous utilisez l'outil électrique adéquat et respectez le régime pour lequel il a été conçu, il effectuera un travail de meilleure qualité et plus sécuritaire.
  2. **N'utilisez pas l'outil électrique s'il n'est pas possible de l'allumer et de l'éteindre avec son interrupteur.** Tout outil électrique dont l'interrupteur est défectueux représente un danger et doit être réparé.
  3. **Débranchez la fiche de la source d'alimentation et/ou retirez la BATTERIE de l'outil électrique, si elle est amovible, avant d'effectuer tout réglage, de remplacer les accessoires ou de ranger les outils électriques.** De telles mesures de sécurité préventives réduisent le risque de démarrage accidentel de l'outil électrique.
  4. **Mettez les outils électriques sous tension hors de la portée des enfants et ne laissez aucune personne les utiliser si elle n'est pas familiarisée avec l'outil électrique ou avec les présentes instructions d'utilisation.** Les outils électriques représentent un danger entre les mains de personnes qui n'en connaissent pas le mode d'utilisation.
  5. **Veillez à l'entretien des outils électriques et des accessoires. Assurez-vous que les pièces mobiles ne sont pas désalignées ou coincées, qu'aucune pièce n'est cassée et que l'outil électrique n'a subi aucun dommage affectant son bon fonctionnement. Si un outil électrique est endommagé, faites-le réparer avant de l'utiliser.** De nombreux accidents sont causés par des outils électriques mal entretenus.

- Maintenez les outils tranchants bien aiguisés et propres.** Les outils tranchants dont l'entretien est effectué correctement et dont les bords sont bien aiguisés risquent moins de se coincer et sont plus faciles à maîtriser.
- Utilisez l'outil électrique, ses accessoires, ses embouts, etc., en respectant les présentes instructions et en tenant compte des conditions de travail et du type de travail à effectuer.** L'utilisation d'un outil électrique pour d'autres usages que ceux prévus peut entraîner une situation dangereuse.
- Gardez les poignées et surfaces de saisie sèches, propres et exemptes d'huile et de graisse.** Les poignées et surfaces de saisie glissantes ne permettent pas la manipulation sécuritaire et une bonne maîtrise de l'outil dans les situations imprévues.
- Lors de l'utilisation de l'outil, ne portez pas de gants de travail en tissu qui risquent de s'enchevêtrer dans l'outil.** L'enchevêtrement de gants de travail en tissu dans les pièces en mouvement peut entraîner une blessure.

### Réparation

- Faites réparer votre outil électrique par un réparateur qualifié qui utilise des pièces de rechange identiques aux pièces d'origine.** Le maintien de la sûreté de l'outil électrique sera ainsi assuré.
- Suivez les instructions de lubrification et de remplacement des accessoires.**

Pour réduire le risque de décharge électrique, cet équipement est doté d'une fiche polarisée (une des lames est plus large que l'autre). Cette fiche ne s'insère que dans un seul sens dans une prise de courant polarisée. Si la fiche ne pénètre pas à fond dans la prise de courant, insérez-la dans l'autre sens. Si elle ne s'insère toujours pas à fond, contactez un électricien qualifié pour faire installer une prise de courant adéquate. Ne modifiez la fiche d'aucune façon.

**MISE EN GARDE SUR LA TENSION :** Avant de brancher l'outil sur une source d'alimentation (prise murale, prise de courant, etc.), assurez-vous que la tension fournie est la même que celle spécifiée sur la plaque signalétique de l'outil. Une source d'alimentation dont la tension est supérieure à celle spécifiée pour l'outil peut entraîner une GRAVE BLESSURE pour l'utilisateur, ainsi qu'endommager l'outil. En cas de doute, NE BRANCHEZ PAS L'OUTIL. L'utilisation d'une source d'alimentation dont la tension est inférieure à celle indiquée sur la plaque signalétique endommagera le moteur.

UTILISEZ UN CORDON PROLONGATEUR APPROPRIÉ. Assurez-vous que votre cordon prolongateur est en bonne condition. Lorsque vous utilisez un cordon prolongateur, assurez-vous qu'il est assez robuste pour transporter le courant exigé par le produit. Un cordon trop petit entraînera une baisse dans la tension composée, ce qui causera une perte d'énergie et une surchauffe. Le tableau 1 indique la dimension de cordon à utiliser, en fonction de la longueur du cordon et de l'intensité nominale figurant sur la plaque signalétique. En cas de doute, utilisez un calibre plus robuste. Plus le numéro de calibre est bas, plus le cordon est robuste.

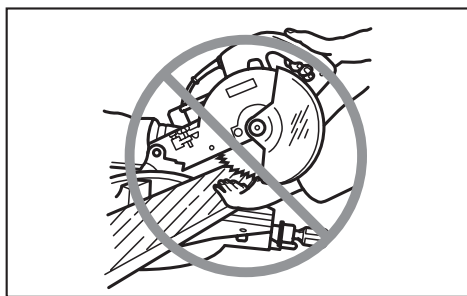
**Tableau 1 : Calibre minimum du cordon**

Intensité nominale		Volts	Longueur totale du cordon en pieds			
		120 V	25 ft.	50 ft.	100 ft.	150 ft.
		220 V - 240 V	50 ft.	100 ft.	200 ft.	300 ft.
Plus de	Pas plus de	Calibre américain des fils				
0 A	6 A	-	18	16	16	14
6 A	10 A		18	16	14	12
10 A	12 A		16	16	14	12
12 A	16 A		14	12	Non recommandé	

### Consignes de sécurité pour scies à coupe d'onglet

- Les scies à coupe d'onglet sont conçues pour couper le bois ou les produits dérivés du bois. Elles ne peuvent pas être utilisées avec les meules tronçonneuses abrasives pour couper les matériaux ferreux comme les barres, tiges, goujons, etc.** La poussière abrasive bloque les pièces mobiles telles que le protecteur inférieur. Les étincelles provoquées par la coupe abrasive brûleront le protecteur inférieur, la fente de découpe et autres pièces en plastique.
- Utilisez des dispositifs de serrage pour soutenir la pièce à travailler chaque fois que cela est possible. Si vous soutenez la pièce d'une main, vous devez toujours la garder à au moins 100 mm d'un côté comme de l'autre de la lame de scie. N'utilisez pas cette scie pour couper des pièces trop petites pour être fermement fixées ou tenues dans la main.** Si votre main se trouve trop près de la lame de scie, il y aura un risque accru de blessure au contact de la lame.

- La pièce à travailler doit être immobile et fixée ou retenue contre le garde et la table. Ne faites pas avancer la pièce à travailler vers la lame, et n'effectuez d'aucune façon la coupe « à main levée ».** Les pièces non retenues ou qui bougent peuvent être éjectées à grande vitesse et causer une blessure.
- Poussez la scie vers la pièce à travailler. Ne tirez pas la scie à travers la pièce à travailler. Pour faire une coupe, soulevez la tête de scie et maintenez-la au-dessus de la pièce à travailler, sans couper, démarrez le moteur, abaissez la tête de scie et poussez la scie à travers la pièce à travailler.** Si vous coupez en tirant vers vous, il est fort probable que la lame de scie remonte sur la pièce et que l'ensemble de lame soit violemment éjecté vers vous.
- Ne mettez jamais la main à travers la ligne de coupe prévue, aussi bien devant que derrière la lame de scie.** Il est très dangereux de tenir la pièce à travailler en « croisant les mains », c'est-à-dire en tenant la pièce du côté droit de la lame de scie avec la main gauche, ou vice-versa.



6. **Pendant que la lame tourne, ne tendez pas la main derrière le garde à moins de 100 mm d'un côté ou de l'autre de la lame de scie pour enlever des copeaux de bois ou pour toute autre raison.** La lame de scie en rotation peut être plus près qu'elle ne semble de votre main et vous risquez de vous blesser grièvement.
7. **Inspectez votre pièce à travailler avant de la couper. Si la pièce à travailler est courbée ou gauchie, serrez-la en plaçant la face extérieure de la courbe du côté du garde. Assurez-vous toujours qu'il n'y a pas de jeu entre la pièce à travailler, le garde et la table le long de la ligne de coupe.** En se tordant ou en se déplaçant, les pièces à travailler pliées ou courbées peuvent emprisonner la lame de scie en rotation pendant la coupe. Il ne doit pas y avoir de clous ou de corps étrangers dans la pièce à travailler.
8. **N'utilisez la scie qu'après avoir tout enlevé sur la table - outils, copeaux de bois, etc. -, à l'exception de la pièce à travailler.** Au contact de la lame en rotation, les petits débris, morceaux de bois détachés ou autres objets peuvent être éjectés à grande vitesse.
9. **Ne coupez qu'une seule pièce à la fois.** Empilées, les pièces ne peuvent être adéquatement serrées ou renforcées, et elles peuvent emprisonner la lame ou se déplacer pendant la coupe.
10. **Avant d'utiliser la scie à coupe d'onglet, assurez-vous qu'elle est montée ou placée sur une surface de travail plane et ferme.** Une surface de travail plane et ferme réduit le risque que la scie à coupe d'onglet devienne instable.
11. **Planifiez votre travail. Chaque fois que vous modifiez le réglage d'angle de biseau ou d'onglet, assurez-vous que le garde ajustable est bien placé pour soutenir la pièce à travailler et qu'il ne gênera pas ni lame ni le dispositif de protection.** Sans allumer l'outil et sans pièce à travailler sur la table, simulez une coupe complète en déplaçant la lame de scie pour vous assurer que rien ne gênera la coupe et qu'il n'y a aucun risque de couper le garde.
12. **Si la pièce à travailler est plus large ou plus longue que le dessus de la table, soutenez-la adéquatement avec une rallonge de table, des chevalets de sciage, etc.** Les pièces plus longues ou plus larges que la table de scie à coupe d'onglet peuvent basculer si elles ne sont pas fermement soutenues. En basculant, la partie découpée de la pièce ou la pièce elle-même peut soulever le protecteur inférieur ou être éjectée par la lame en rotation.
13. **Ne demandez pas à une autre personne de remplir le rôle de la rallonge de table ou de fournir un soutien supplémentaire.** Avec un soutien instable, la pièce à travailler peut emprisonner la lame ou se déplacer pendant la coupe, et entraîner du même coup votre assistant ou vous-même vers la lame en rotation.
14. **La partie découpée de la pièce ne doit être d'aucune façon coincée ou pressée contre la lame de scie en rotation.** Si elle est retenue, par exemple à l'aide de butées longitudinales, la partie découpée de la pièce risque d'être coincée contre la lame et éjectée violemment.
15. **Utilisez toujours un dispositif de serrage ou une fixation conçu pour soutenir les tiges, tuyaux et autres objets ronds.** Les tiges ont tendance à rouler pendant la coupe, ce qui fait « mordre » la lame et attire la pièce, avec votre main, vers la lame.
16. **Laissez la lame atteindre sa pleine vitesse avant de la mettre en contact avec la pièce à travailler.** Cela réduira le risque d'éjection de la pièce à travailler.
17. **Si la pièce à travailler ou la lame se coince, éteignez la scie à coupe d'onglet. Attendez l'arrêt de toutes les pièces en mouvement et débranchez la fiche de la source d'alimentation et/ou retirez la batterie. Retirez ensuite le matériel coincé.** Continuer de scier avec une pièce à travailler coincée peut causer une perte de maîtrise de la scie à coupe d'onglet ou l'endommager.
18. **Une fois la coupe terminée, relâchez l'interrupteur, maintenez la tête de la scie basse et attendez l'arrêt complet de la lame avant de retirer la partie découpée de la pièce.** Il est dangereux de tendre la main près de lame qui tourne.
19. **Tenez la poignée fermement lorsque vous interrompez une coupe avant la fin ou lorsque vous libérez l'interrupteur avant que la tête de scie ne soit complètement en position basse.** En attirant soudainement la tête de scie vers le bas, le freinage de la scie peut entraîner un risque de blessure.
20. **N'utilisez que la lame de scie dont le diamètre correspond aux indications données sur l'outil ou dans le manuel.** L'utilisation d'une lame d'une taille incorrecte peut affecter la protection de la lame ou le fonctionnement du protecteur, ce qui comporte un risque de grave blessure.
21. **Utilisez uniquement les lames de scie dont la vitesse indiquée est égale ou supérieure à la vitesse indiquée sur l'outil.**
22. **Choisissez toujours la lame de scie qui convient au matériau à couper. N'utilisez pas la lame de scie pour couper des matériaux autres que ceux spécifiés.**
23. **La scie peut couper le bois, l'aluminium ou des matériaux similaires lorsqu'une lame de scie adaptée au matériau est utilisée. N'utilisez pas la scie pour couper d'autres matériaux, y compris le magnésium, l'acier et le fer.**

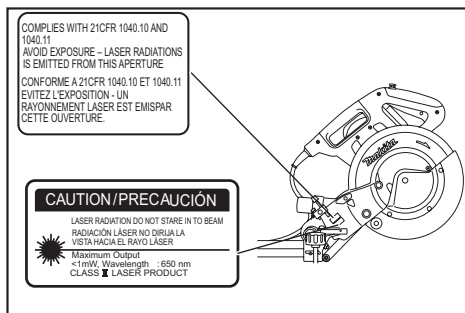
## Instructions additionnelles

- 1. Usage prévu**  
L'outil est conçu pour l'exécution précise de la coupe rectiligne et de la coupe d'onglet dans le bois. Avec des lames de scie adéquates, il est aussi possible de scier l'aluminium.
- 2. Faites en sorte que l'atelier soit sans danger pour les enfants en y posant des cadenas.**
- 3. Ne vous appuyez jamais sur l'outil.** Vous courez un risque de blessure grave si l'outil bascule ou si vous touchez accidentellement l'outil tranchant.
- 4. Ne laissez jamais sans surveillance un outil en marche.** Coupez le contact. Attendez que l'outil se soit complètement arrêté avant de le quitter.
- 5. N'utilisez jamais la scie sans les protecteurs en place.** Assurez-vous avant chaque utilisation que le protège-lame se referme bien. N'utilisez pas la scie si le protège-lame ne se déplace pas librement et ne se referme pas instantanément. Ne fixez ou n'attachez jamais le protège-lame en position ouverte.
- 6. Maintenez les mains hors de la ligne de coupe de la lame de scie.** Évitez tout contact avec la lame lorsqu'elle continue de tourner après la mise hors tension de l'outil. Elle peut alors quand même causer de graves blessures.
- 7. Pour réduire les risques de blessure, ramenez le chariot complètement vers l'arrière après chaque opération de coupe en travers.**
- 8. Fixez toujours les composants mobiles de l'outil avant de le transporter.**
- 9. La broche de blocage qui verrouille en position basse la tête de coupe est conçue exclusivement pour le transport et le rangement de l'outil, et ne doit être utilisée pour aucun travail de coupe.**
- 10. Avant l'utilisation, vérifiez toujours soigneusement l'absence de fissures ou de dommages sur la lame.** Veuillez remplacer immédiatement toute lame fissurée ou endommagée. La présence de résine et de goudron sur la lame ralentit la scie et entraîne une augmentation des risques de rebond. Pour nettoyer la lame, retirez-la d'abord de l'outil, puis utilisez un décapant, de l'eau chaude ou du kérosène pour retirer la résine et le goudron. N'utilisez jamais d'essence pour nettoyer la lame.
- 11. Lors de la réalisation d'une coupe en glissière, un risque de REBOND est possible.** Le REBOND se produit lorsque la lame se coince dans la pièce pendant la coupe et projette rapidement la lame de scie vers l'opérateur. La perte de contrôle et une grave blessure peuvent en résulter. Si la lame commence à se coincer pendant la coupe, ne continuez pas à couper et relâchez tout de suite l'interrupteur.
- 12. Utilisez exclusivement les flasques spécifiés pour cet outil.**
- 13. Prenez garde d'endommager l'alésage, les flasques (tout particulièrement leur surface d'installation) ou le boulon.** L'endommagement de ces pièces peut causer une cassure de la lame.

- 14. Assurez-vous que le socle rotatif est bien immobilisé, de sorte qu'il ne bouge pas pendant l'opération.** Fixez la scie à une surface de travail ou à un établi stable au moyen des trous du socle. N'utilisez JAMAIS l'outil si vous vous trouvez dans une position qui n'assure pas une pleine liberté de mouvement.
- 15. Assurez-vous que le blocage de l'arbre est libéré avant de mettre l'outil sous tension.**
- 16. Assurez-vous que la lame n'entre pas en contact avec le socle rotatif lorsqu'elle se trouve sur sa position la plus basse.**
- 17. Tenez la poignée fermement.** N'oubliez pas que la scie se déplace légèrement vers le haut ou le bas au démarrage et à l'arrêt.
- 18. Assurez-vous que la lame n'entre pas en contact avec la pièce avant de mettre l'outil sous tension.**
- 19. Avant d'utiliser l'outil sur la pièce, laissez-le tourner à vide un instant.** Soyez attentif à toute vibration ou tout sautellement pouvant indiquer que la lame n'est pas bien installée ou est mal équilibrée.
- 20. Arrêtez immédiatement votre outil dès que vous observez quelque chose d'anormal.**
- 21. N'essayez pas de verrouiller la gâchette en position de marche.**
- 22. Utilisez toujours les accessoires recommandés dans le présent manuel.** L'utilisation d'accessoires inadéquats, tels que les meules abrasives par exemple, peut entraîner une blessure.
- 23. Certains matériaux contiennent des produits chimiques qui peuvent être toxiques.** Prenez les précautions nécessaires pour éviter l'inhalation des poussières ou leur contact avec la peau. Conformez-vous aux consignes de sécurité du fournisseur du matériau.



## Règles de sécurité supplémentaires pour le laser

- 1. RAYONNEMENT LASER, NE PAS REGARDER DANS LE FAISCEAU.**
- 2. ÉVITER L'EXPOSITION - UN RAYONNEMENT LASER EST ÉMIS PAR L'OUVERTURE.**
- 3. LES COMMANDES, RÉGLAGES ET PROCÉDURES AUTRES QUE CEUX SPÉCIFIÉS DANS LE PRÉSENT MANUEL D'INSTRUCTIONS PEUVENT EXPOSER À UN RAYONNEMENT DANGEREUX.**



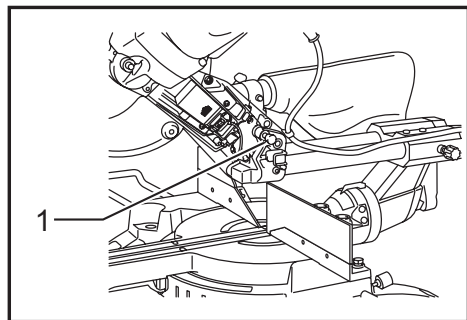
## Symboles

Les symboles utilisés pour l'outil sont indiqués ci-dessous.

V	volts
A	ampères
Hz	hertz
$n_0$	vitesse à vide
~	courant alternatif
	construction, catégorie II
... /min r /min	tours ou alternances par minute
	Ne mettez pas la main ou les doigts près de la lame.

## INSTALLATION

### Montage du banc

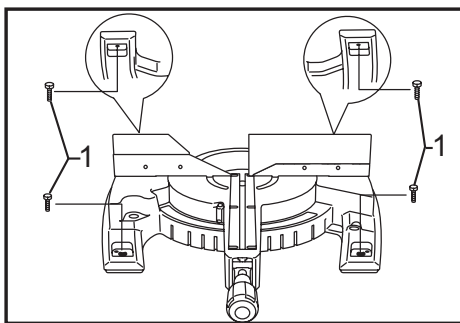


► 1. Broche de blocage

À la sortie d'usine de l'outil, la poignée est verrouillée en position abaissée par la broche d'arrêt. Relâchez la broche d'arrêt en appliquant une pression vers le bas sur la poignée tout en tirant sur la broche d'arrêt.

### ⚠ MISE EN GARDE :

- Assurez-vous que l'outil ne se déplacera pas sur la surface de soutien. Les mouvements de la scie d'onglet sur la surface de soutien au cours de la coupe risquent de provoquer une perte de contrôle et des blessures.

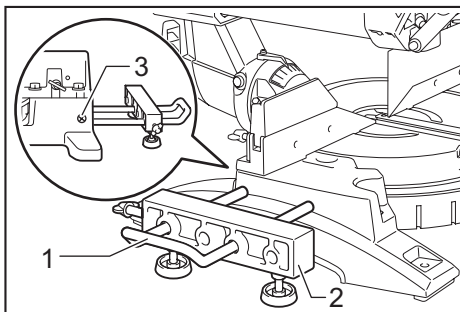


► 1. Boulons

Cet outil doit être boulonné sur une surface plane et stable avec quatre boulons, en utilisant les trous d'éclissage pratiqués dans la base de l'outil. Cela aidera à prévenir les risques de basculement et de blessure.

## Installation des supports et des ensembles de supports

**NOTE :** Dans certains pays, les supports et les ensembles de supports peuvent ne pas être inclus avec l'outil comme accessoires standard.



► 1. Support 2. Ensemble de support 3. Vis

Les supports et les ensembles de supports soutiennent les pièces horizontalement.

Installez les supports et les ensembles de supports des deux côtés, tel qu'illustré sur la figure.

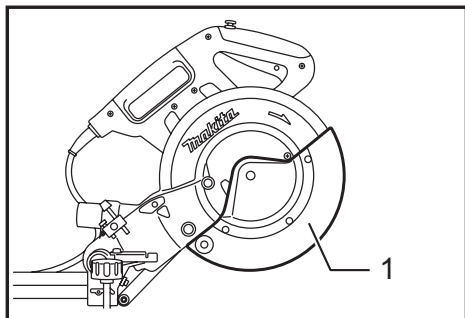
Ensuite, serrez les vis pour fixer les supports et les ensembles de supports.

# DESCRIPTION DU FONCTIONNEMENT

## ⚠ MISE EN GARDE :

- **Assurez-vous toujours que l'outil est éteint et débranché avant d'effectuer un réglage ou de vérifier quelque chose sur l'outil.** Si vous ne respectez pas cette précaution, vous risquez des blessures graves dues à un démarrage accidentel.

## Protecteur de lame



► 1. Protecteur de lame

Lorsque vous abaissez la poignée, le protège-lame se soulève automatiquement. Le protège-lame revient à sa position d'origine lorsque la coupe est terminée et que vous relevez la poignée.

## ⚠ MISE EN GARDE :

- **Ne condamnez et ne retirez jamais le protège-lame ni le ressort qui y est fixé.** Une lame exposée en conséquence d'un défaut de protection risque de vous blesser.

Pour assurer votre propre sécurité, maintenez toujours le protège-lame en bon état. Tout fonctionnement anormal du protège-lame doit être immédiatement corrigé. Assurez-vous que l'action de retour du ressort s'effectue correctement.

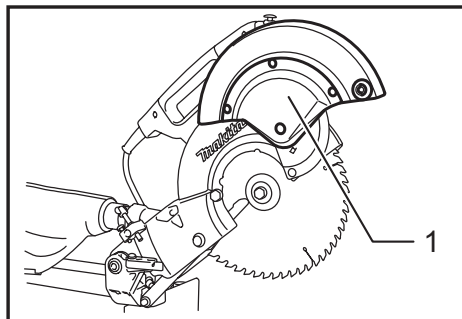
## ⚠ MISE EN GARDE :

- **N'utilisez jamais l'outil si le protège-lame ou le ressort est endommagé, fonctionne mal ou a été retiré.** Vous risqueriez de vous blesser.

Si le protège-lame transparent se salit, ou que de la poussière s'y colle et que la lame et/ou la pièce n'est plus visible, débranchez la scie et nettoyez soigneusement le protecteur avec un chiffon humide. N'utilisez aucun solvant ou nettoyant à base de pétrole pour nettoyer le protecteur de plastique parce que ce dernier risque d'être endommagé.

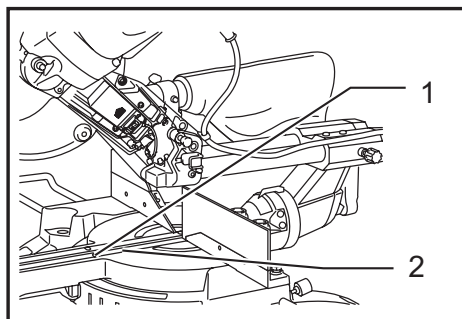
Si le protège-lame est sale et doit être nettoyé pour bien fonctionner, suivez les étapes ci-dessous :

Éteignez l'outil et débranchez-le, puis utilisez la clé à douille fournie pour desserrer le boulon hexagonal qui maintient le couvercle central. Desserrez le boulon hexagonal en le tournant dans le sens contraire des aiguilles d'une montre, puis soulevez le protège-lame et le couvercle central. Le nettoyage sera plus complet et efficace avec le protège-lame dans cette position. Une fois le nettoyage terminé, effectuez la procédure en sens inverse et serrez le boulon. Ne retirez pas le ressort qui retient le protège-lame. Si le protège-lame s'use avec le temps ou sous l'effet des rayons ultraviolets, contactez un centre de service après-vente Makita pour vous en procurer un neuf. **NE CONDAMNEZ PAS LE PROTECTEUR ET NE LE RETIREZ PAS.**



► 1. Protecteur de lame

## Positionnement du plateau de découpe



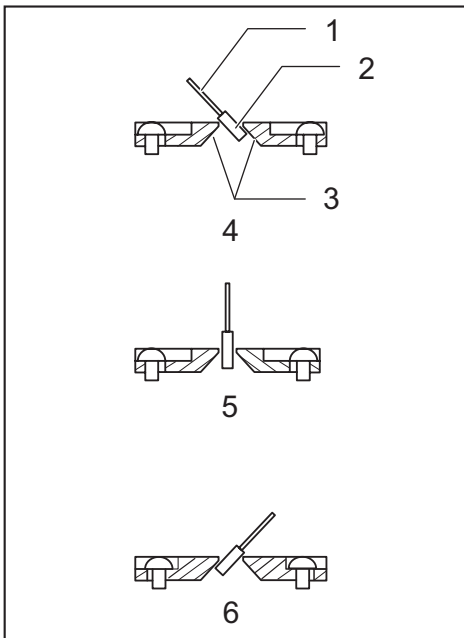
► 1. Vis 2. Plateau de découpe



## Maintien de la capacité de coupe maximale

Cet outil est réglé en usine de sorte que sa capacité de coupe maximale soit atteinte avec une lame de 255 mm (10 po).

Débranchez l'outil avant d'entreprendre tout réglage. Lorsque vous installez une nouvelle lame, vérifiez toujours la position limite inférieure de la lame et, au besoin, réglez-la comme suit :



- 1. Lame 2. Dents de la lame 3. Plateau de découpe  
4. Coupe en biseau sur la gauche 5. Coupe rectiligne 6. Coupe en biseau sur la droite

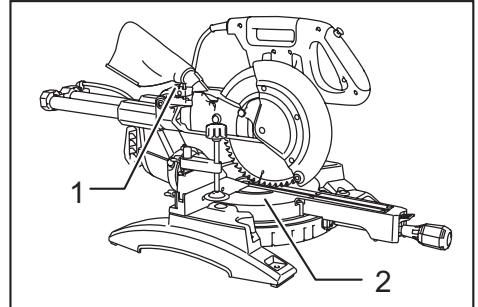
Le socle rotatif de cet outil est équipé de plateaux de découpe pour réduire la déchirure du côté extérieur de la coupe. Les plateaux de découpe sont réglés en usine de sorte qu'ils n'entrent pas en contact avec la lame. Avant l'utilisation, ajustez les plateaux de découpe comme suit :

Débranchez d'abord l'outil. Desserrez toutes les vis (3 à gauche et à droite) qui immobilisent les plateaux de découpe. Resserrez-les de façon à pouvoir déplacer facilement les plateaux de découpe manuellement. Abaissez complètement la poignée et enfoncez la broche d'arrêt pour verrouiller la poignée dans cette position. Desserrez la vis qui immobilise les tiges de guidage. Tirez complètement le chariot vers vous. Réglez les plateaux de découpe de sorte qu'ils n'entrent en contact qu'avec les côtés des dents de la lame. Serrez les vis avant (ne les serrez pas fermement). Poussez complètement le chariot vers le garde de guidage et réglez les plateaux de découpe de sorte qu'ils n'entrent en contact qu'avec les côtés des dents de la lame. Serrez les vis arrière (ne les serrez pas fermement).

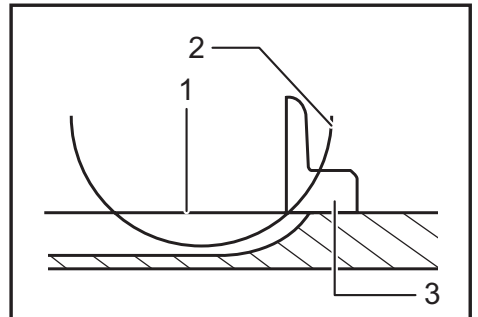
Après le réglage des plateaux de découpe, relâchez la broche de blocage et soulevez la poignée. Serrez ensuite toutes les vis fermement.

### AVIS :

- **Après le réglage de l'angle de coupe en biseau, assurez-vous que les plateaux de découpe sont bien réglés.** Un bon réglage des plateaux de découpe apportera un bon soutien à la pièce, ce qui en réduira l'usure.



- 1. Boulon de réglage 2. Socle rotatif



- 1. Face supérieure du socle rotatif 2. Bord de la lame 3. Garde de guidage

Débranchez d'abord l'outil. Poussez complètement le chariot vers le garde de guidage et abaissez totalement la poignée. Utilisez la clé hexagonale pour tourner le boulon de réglage jusqu'à ce que la périphérie de la lame dépasse légèrement sous la face supérieure du socle rotatif au point de rencontre entre le garde de guidage et la face supérieure du socle rotatif.

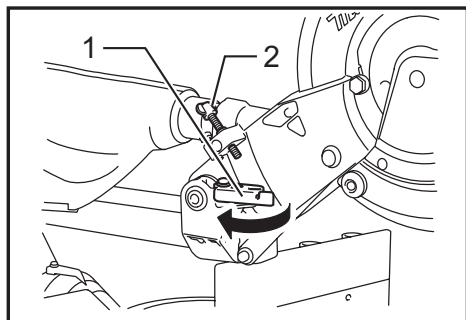
Débranchez l'outil et faites tourner la lame manuellement en maintenant la poignée en position parfaitement abaissée, pour être sûr que la lame n'entre en contact avec aucune partie de la base inférieure. Au besoin, effectuez un léger réajustement.

### ⚠ MISE EN GARDE :

- **Après l'installation d'une nouvelle lame et avec l'outil débranché, assurez-vous toujours que la lame n'entre pas en contact avec le socle inférieur lorsque la poignée est complètement abaissée.** Si la lame touche le socle, un choc en retour est possible et vous risquez de vous blesser.



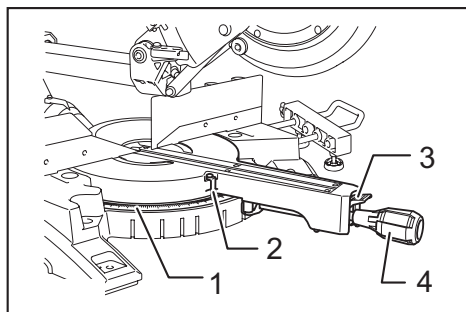
## Bras de blocage



► 1. Bras de blocage 2. Vis de réglage

Le bras de blocage permet un réglage facile de la position limite inférieure de la lame. Pour l'ajuster, déplacez le bras de blocage dans le sens de la flèche, tel qu'indiqué sur l'illustration. Réglez la vis de réglage de sorte que la lame s'arrête à la position désirée lorsque la poignée est complètement abaissée.

## Réglage de l'angle de coupe d'onglet



► 1. Échelle de coupe d'onglet 2. Index 3. Levier de verrouillage 4. Poignée

Desserrez la poignée en la tournant dans le sens inverse des aiguilles d'une montre. Faites tourner le socle rotatif tout en abaissant le levier de verrouillage. Après avoir déplacé la poignée sur la position où le pointeur indique l'angle désiré sur l'échelle de coupe d'onglet, serrez fermement la poignée dans le sens des aiguilles d'une montre.

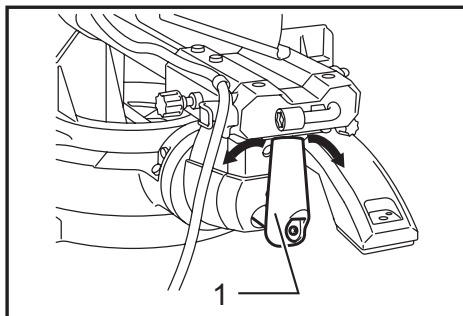
### ⚠ ATTENTION :

- Après avoir modifié l'angle de coupe d'onglet, fixez toujours le socle rotatif en serrant à fond la poignée.

### AVIS :

- Assurez-vous de soulever complètement la poignée lorsque vous faites tourner le socle rotatif.

## Réglage de l'angle de coupe en biseau

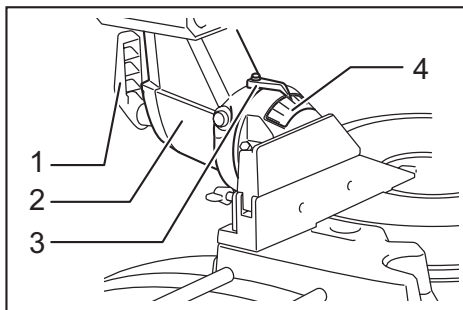


► 1. Levier

Pour ajuster l'angle de coupe en biseau, desserrez le levier à l'arrière de l'outil dans le sens inverse des aiguilles d'une montre. Déverrouillez le bras en poussant assez fort sur la poignée, dans le sens où vous désirez incliner la lame.

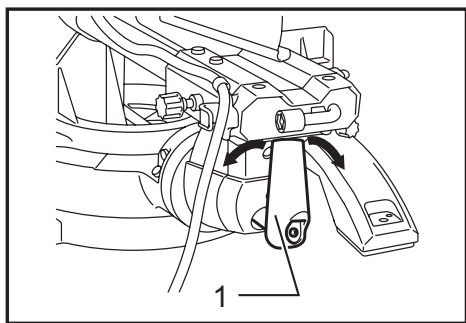
### NOTE :

- Il est possible de régler le levier selon un angle différent. Pour ce faire, retirez la vis qui retient le levier et bloquez ce dernier selon l'angle souhaité.



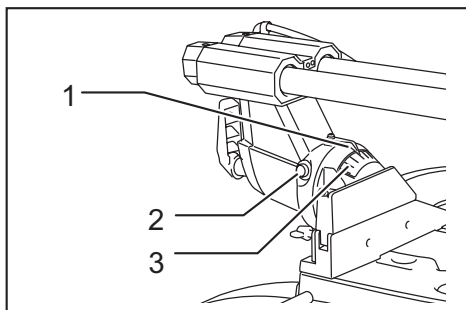
► 1. Levier 2. Bras 3. Index 4. Échelle de coupe en biseau

Inclinez la lame jusqu'à ce que le pointeur indique l'angle désiré sur l'échelle de coupe en biseau. Serrez ensuite le levier fermement dans le sens des aiguilles d'une montre pour fixer le bras.



► 1. Levier

Lors de l'inclinaison du chariot vers la droite, inclinez le chariot légèrement vers la gauche après avoir desserré le levier et appuyez sur le bouton de déblocage. Tout en appuyant sur le bouton de déblocage, inclinez le chariot vers la droite.



► 1. Index 2. Bouton de libération 3. Échelle de coupe en biseau

Inclinez la lame jusqu'à ce que le pointeur indique l'angle désiré sur l'échelle de coupe en biseau. Serrez ensuite le levier fermement dans le sens des aiguilles d'une montre pour fixer le bras.

- Lorsque vous modifiez l'angle de coupe en biseau, assurez-vous toujours de bien placer les plateaux de découpe, tel que décrit dans la section "Positionnement des plateaux de découpe."

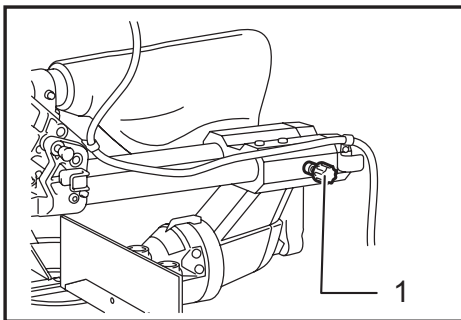
#### ⚠ ATTENTION :

- Après avoir modifié l'angle de coupe en biseau, fixez toujours le bras en serrant le levier dans le sens des aiguilles d'une montre.

#### AVIS :

- Vous devez soulever la poignée complètement avant d'incliner la lame.
- Lorsque vous modifiez l'angle de coupe en biseau, assurez-vous toujours de bien placer les plateaux de découpe, tel que décrit dans la section "Positionnement des plateaux de découpe."

## Réglage du verrou de la glissière



► 1. Vis de verrouillage

Pour verrouiller la tige de glissement, tournez la vis de verrouillage dans le sens des aiguilles d'une montre.

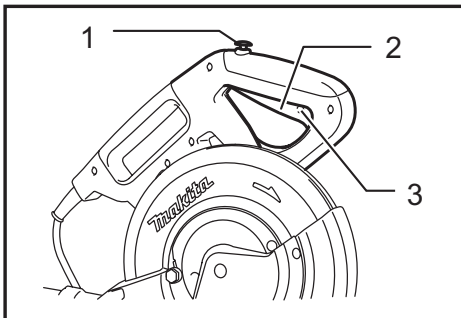
## Interrupteur

Un bouton de sécurité est fourni pour prévenir la pression accidentelle sur la gâchette. Pour faire démarrer l'outil, appuyez sur le bouton de sécurité puis sur la gâchette. Pour l'arrêter, relâchez la gâchette.

#### ⚠ MISE EN GARDE :

- Avant de brancher l'outil, vérifiez toujours que la gâchette fonctionne correctement et qu'elle revient en position « OFF » quand vous la relâchez. N'appuyez pas fortement sur la gâchette sans avoir d'abord enfoncé le levier de sécurité. Vous risqueriez de casser la gâchette. Si vous utilisez un outil avec une gâchette qui ne fonctionne pas correctement, vous risquez de perdre le contrôle de l'outil et de vous blesser.

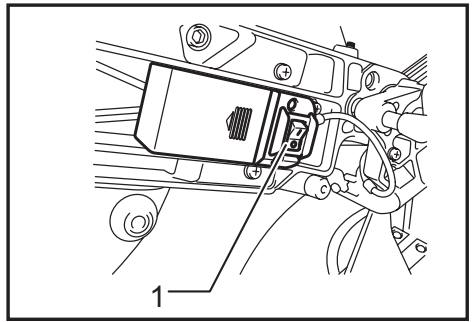
Un trou a été prévu dans la gâchette pour l'insertion d'un cadenas permettant de déverrouiller l'outil.



► 1. Bouton de sécurité 2. Gâchette 3. Trou pour cadenas

### **⚠ MISE EN GARDE :**

- **N'utilisez pas un verrou dont la tige ou le câble a un diamètre inférieur à 6,35 mm (1/4 po).** Une tige ou un verrou de format inférieur pourrait ne pas verrouiller correctement l'outil en position arrêtée et un démarrage accidentel risquerait de vous blesser grièvement.
- **N'utilisez JAMAIS un outil dont la gâchette présente un problème.** Tout outil dont la gâchette présente un problème est TRÈS DANGEREUX et doit être réparé avant d'être utilisé, ou risque de provoquer de graves blessures.
- Pour votre sécurité, cet outil est doté d'un bouton de sécurité qui prévient le démarrage involontaire de l'outil. N'utilisez JAMAIS l'outil s'il s'active simplement en appuyant sur la gâchette sans presser le bouton de sécurité. Une gâchette devant être réparée peut provoquer un démarrage accidentel de l'outil et de graves blessures. AVANT de poursuivre l'utilisation, retournez l'outil à un centre de service après-vente Makita pour le faire réparer.
- Ne condamnez JAMAIS le bouton de verrouillage en le coinçant ou de toute autre manière. Une gâchette dont le bouton de verrouillage est condamné pourrait provoquer un démarrage accidentel et de graves blessures.



► 1. Interrupteur du laser

### **⚠ ATTENTION :**

- **RAYONNEMENT LASER**  
Ne pas regarder directement le rayon.
- Avant de déplacer la ligne du laser ou de réaliser des réglages de maintenance, assurez-vous de débrancher l'outil.

Pour activer le faisceau laser, appuyez sur la position supérieure (1) de la gâchette. Pour désactiver le faisceau laser, appuyez sur la position inférieure (0) de la gâchette.

Vous pouvez déplacer la ligne du laser vers la droite ou vers la gauche de la lame de la scie en desserrant la vis supportant l'unité laser et en déplaçant cette dernière dans le sens souhaité. Après le déplacement, assurez-vous de serrer la vis.

## **Frein électrique**

Cet outil est muni d'un frein de lame électrique. Si la libération du levier de la gâchette ne permet pas d'arrêter promptement la lame d'une fois à l'autre, faites réparer l'outil dans un centre de service après-vente Makita.

### **⚠ ATTENTION :**

- **Le système de freinage de la lame ne doit pas remplacer le protège-lame. N'utilisez jamais un outil sans protège-lame en état de marche.** Une lame non protégée peut provoquer de graves blessures.

## **Fonction électronique**

### **Fonction de démarrage en douceur**

Cette fonction permet de démarrer l'outil en douceur, en limitant son couple de démarrage.

### **Action du faisceau laser**

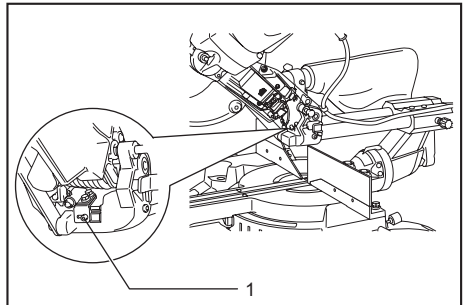
*Pour le modèle LS1018L uniquement*

#### **NOTE :**

- Avant la première utilisation, installez deux piles sèches AA dans le compartiment. Reportez-vous à la section intitulée « Remplacement des piles sèches de l'unité laser » pour en savoir plus sur l'installation.

### **⚠ ATTENTION :**

- Lorsque vous ne l'utilisez pas, assurez-vous de désactiver le laser



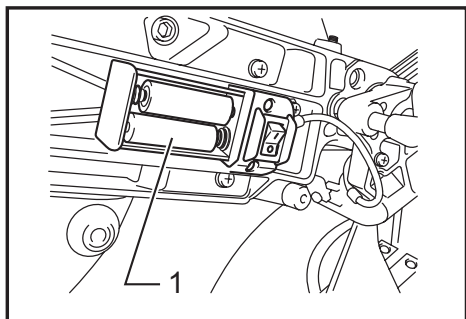
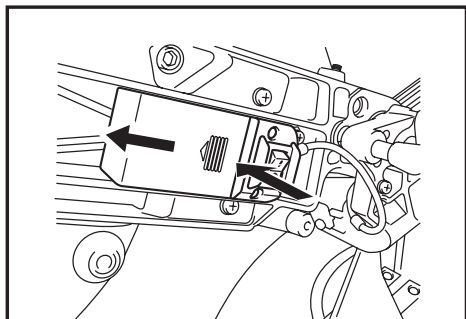
► 1. Vis supportant l'unité laser

La ligne laser est ajustée en usine pour se trouver à moins de 1 mm (0,04") de la face latérale de la lame (position de coupe).

#### **NOTE :**

- Si la ligne de coupe est trop pâle et presque imperceptible parce que vous travaillez dans un endroit exposé directement aux rayons du soleil, changez de zone de travail pour ne plus être exposé directement aux rayons du soleil.

## Remplacement des piles sèches de l'unité laser



► 1. Charbon

Retirez le couvercle des piles sèches de l'unité laser en les faisant glisser tout en y exerçant une pression. Sortez les anciennes piles sèches et placez les nouvelles, tel qu'illustré sur la figure. Après le remplacement, remettez le couvercle en place.

## Nettoyage de la lentille de lumière laser

Lorsque la lentille de lumière laser est sale ou que la sciure de bois qui y adhère rend la ligne laser peu visible, débranchez la scie puis retirez et nettoyez doucement la lentille de la lumière laser avec un chiffon doux et humide. N'utilisez pas de solvants ni de détergents à base de pétrole pour nettoyer la lentille.

### NOTE :

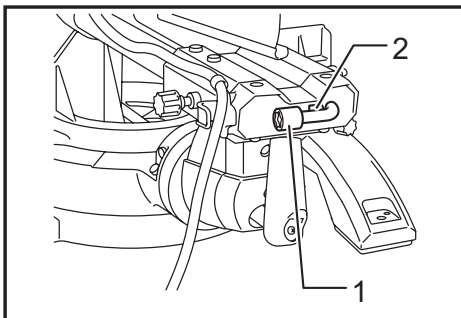
- Si la ligne de coupe est trop pâle et presque imperceptible parce que vous travaillez dans un endroit exposé directement aux rayons du soleil ou près d'une fenêtre intérieure ou extérieure, changez de zone de travail pour ne plus être exposé directement aux rayons du soleil.

## ASSEMBLAGE

### ▲ MISE EN GARDE :

- Assurez-vous toujours que l'outil est éteint et débranché avant d'effectuer une opération dessus. Si vous ne respectez pas cette précaution, vous risquez des blessures graves.

### Stockage de la clé à douille avec clé hexagonale à l'autre bout



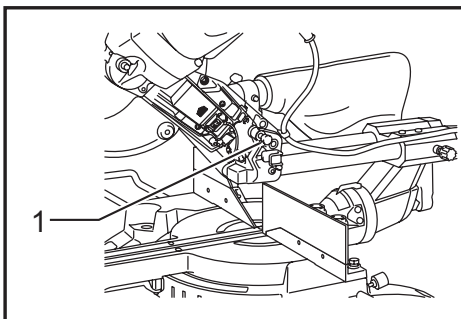
- 1. Clé à douille avec clé hexagonale à l'autre bout  
2. Support à clé

La clé à douille est rangée de la façon illustrée. Pour utiliser la clé à douille, retirez-la du support à clé. Après avoir utilisé la clé à douille, remettez-la dans le support à clé.

### Pose et retrait de la lame de scie

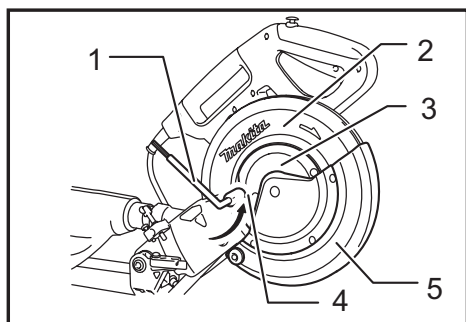
### ▲ MISE EN GARDE :

- Assurez-vous toujours que l'outil est éteint et débranché avant d'installer ou de retirer la lame. Un démarrage accidentel de l'outil risquerait de provoquer de graves blessures.
- N'utilisez que la clé à douille Makita fournie pour installer ou retirer la lame. Si vous n'utilisez pas cette clé, vous risquez de trop serrer ou pas assez les boulons hexagonaux et de provoquer de graves blessures.



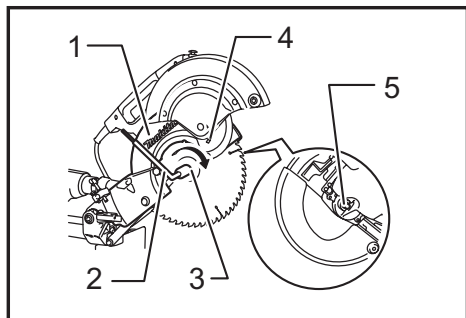
- 1. Broche de blocage

Verrouillez la poignée en position élevée en y poussant la broche de blocage.



► 1. Clé à douille 2. Boîtier de la lame 3. Couvercle central 4. Boulon hexagonal 5. Protecteur de lame

Pour retirer la lame, utiliser la clé à douille pour desserrer le boulon hexagonal qui retient le couvercle central, en tournant dans le sens inverse des aiguilles d'une montre. Soulevez le protecteur de lame et le couvercle central.



► 1. Boîtier de la lame 2. Clé à douille 3. Boulon hexagonal 4. Flèche 5. Verrouillage de l'arbre

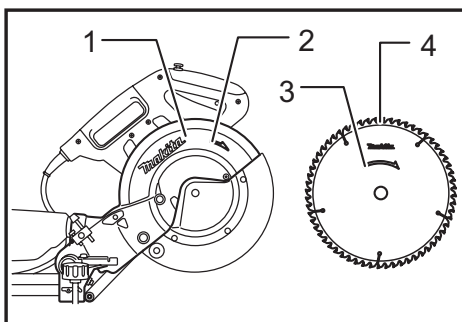
Appuyez sur le blocage de l'arbre pour verrouiller l'arbre, et utilisez la clé à douille pour desserrer le boulon hexagonal dans le sens des aiguilles d'une montre. Retirez ensuite le boulon hexagonal, le flasque extérieur et la lame.

#### NOTE :

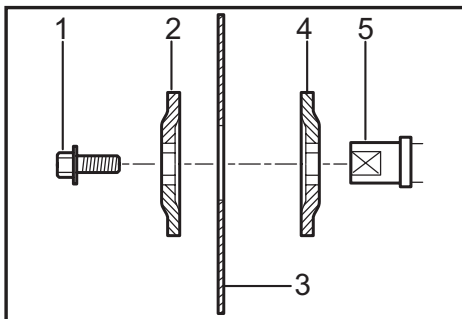
- Lorsque le flasque intérieur est retiré, assurez-vous de l'installer sur l'axe, sa protubérance face à l'axe. Si le flasque est mal installé, il frottera contre la machine.

#### ⚠ MISE EN GARDE :

- **Avant de monter la lame sur l'axe, assurez-vous toujours d'avoir installé, entre les flasques intérieur et extérieur, la bonne bague pour l'alésage central de la lame que vous prévoyez d'utiliser.** Si vous utilisez la mauvaise bague pour l'alésage central de la lame, vous risquez de mal monter cette dernière, ce qui la ferait bouger et beaucoup trembler, et risquerait de provoquer une perte de contrôle et de graves blessures.

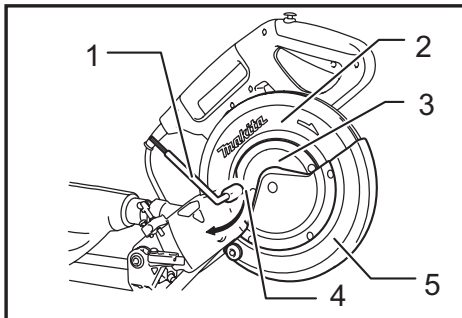


► 1. Boîtier de la lame 2. Flèche 3. Flèche 4. Lame



► 1. Boulon hexagonal 2. Bague externe 3. Lame 4. Bague interne 5. Axe

Pour installer la lame, montez-la soigneusement sur l'axe en vous assurant que le sens indiqué par la flèche sur la surface de la lame correspond à celui de la flèche du carter de lame. Installez le flasque extérieur et le boulon hexagonal, puis, à l'aide de la clé à douille, serrez à fond le boulon hexagonal (filetage à gauche) en le tournant vers la gauche tout en appuyant sur le blocage de l'arbre.

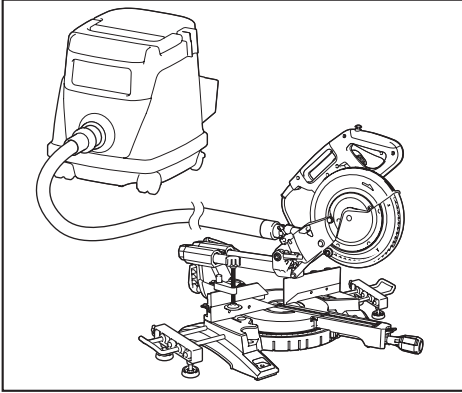


► 1. Clé à douille 2. Boîtier de la lame 3. Couvercle central 4. Boulon hexagonal 5. Protecteur de lame

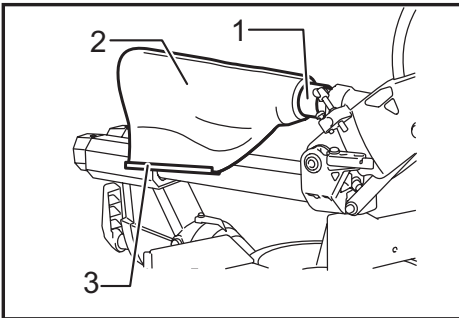
Ramenez la lame et le couvercle central dans leur position d'origine. Serrez ensuite le boulon hexagonal dans le sens des aiguilles d'une montre pour fixer le couvercle central. Relâchez la poignée en tirant sur la broche d'arrêt. Abaissez la poignée pour vous assurer que le protége-lame se déplace correctement. Assurez-vous que le blocage de l'arbre a libéré l'axe avant d'effectuer une coupe.

## Raccordement à un aspirateur

Lorsque vous souhaitez effectuer un travail de coupe propre, raccordez un aspirateur Makita.



## Sac à poussières



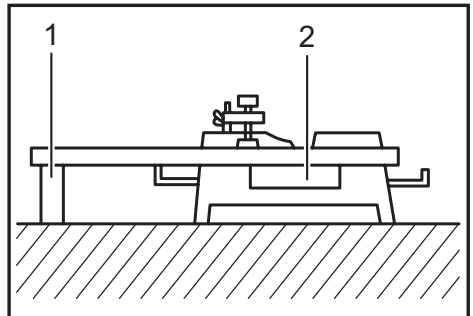
- 1. Raccord à poussières 2. Sac à poussières  
3. Pièce de fixation

L'utilisation du sac à poussières rend les opérations de coupe plus propres et facilite la collecte des poussières. Pour le fixer, insérez-le dans le raccord à poussières. Lorsque le sac à poussières est environ à moitié plein, retirez-le de l'outil et tirez sur l'agrafe. Videz le sac à poussières, en le tapant légèrement pour retirer les particules qui adhèrent à sa surface intérieure et risqueraient de faire obstacle à la collecte des poussières par la suite.

## Immobilisation de la pièce

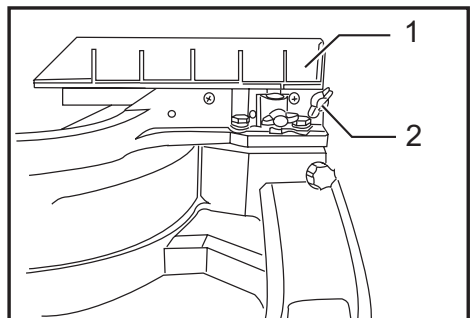
### ⚠ MISE EN GARDE :

- Il est extrêmement important de toujours bien fixer la pièce, avec le bon type d'étau ou de butées de moulure couronnée. Dans le cas contraire, vous risquez des blessures graves et l'outil et/ou la pièce peuvent être endommagés.
- Après une opération de coupe, ne relevez pas la lame avant qu'elle ne soit complètement arrêtée. Si vous relevez une lame qui tourne, vous risquez de graves blessures ou la pièce risque d'être endommagée.
- Lorsque vous coupez une pièce plus longue que le socle de soutien de la scie, le matériau doit être soutenu sur toute la longueur au-delà du socle de soutien et à la même hauteur pour faire en sorte que le matériau reste de niveau. Un bon soutien de la pièce permettra d'éviter que la lame ne se coince, et le choc en retour susceptible de provoquer de graves blessures. Ne comptez pas uniquement sur l'étau vertical et/ou horizontal pour bloquer la pièce. Les matériaux fins ont tendance à s'affaisser. La pièce doit être soutenue sur toute sa longueur pour éviter que la lame ne se coince, ce qui comporte un risque de CHOC EN RETOUR.



- 1. Support 2. Socle rotatif

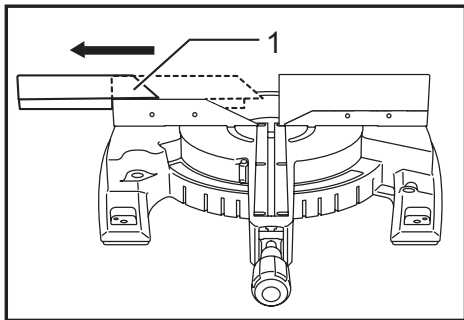
## Réglage du garde de guidage (ERGOTS COULISSANTS)



- 1. Ergot coulissant 2. Vis de serrage

### ⚠ ATTENTION :

- Avant d'utiliser l'outil, assurez-vous que l'ergot coulissant est fermement fixé.
- Avant d'effectuer une coupe en biseau, assurez-vous qu'aucune partie de l'outil, et tout spécialement la lame, ne touche l'ergot coulissant lorsque vous abaissez ou élevez complètement la poignée sur toute position et pendant que vous déplacez le chariot sur toute sa plage de déplacement. En touchant l'ergot coulissant, la lame peut provoquer un recul ou un mouvement inattendu du matériau, résultant en une grave blessure.



► 1. Ergot coulissant

### ⚠ ATTENTION :

- Lorsque vous effectuez des coupes en biseau, faites glisser l'ergot coulissant sur la gauche et fixez-le tel qu'indiqué sur la figure. Autrement, il touchera la lame ou une partie de l'outil et risquera de blesser grièvement l'utilisateur.

Cet outil est équipé d'un ergot coulissant, qui doit être placé comme illustré sur la figure.

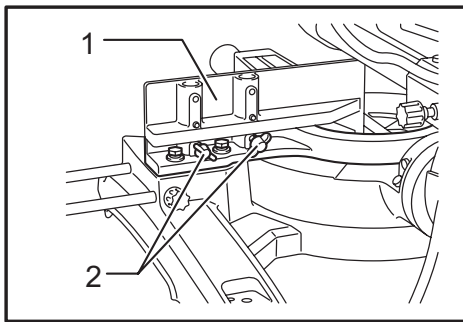
Cependant, lors de la réalisation de coupes en biseau vers la gauche, placez-le sur la gauche comme illustré sur la figure si la tête de l'outil le touche.

Quand les opérations de coupe en biseau sont terminées, n'oubliez pas de remettre l'ergot coulissant dans sa position de départ et de le fixer en serrant fermement la vis de serrage.

## Garde auxiliaire de droite

### ⚠ MISE EN GARDE :

- Avant d'utiliser l'outil, assurez-vous que le garde auxiliaire de droite est fermement fixé.
- Avant de réaliser des coupes en biseau vers la droite, retirez le garde auxiliaire de droite. Il risque de toucher la lame ou une pièce de l'outil, ce qui risque de blesser grièvement l'opérateur.

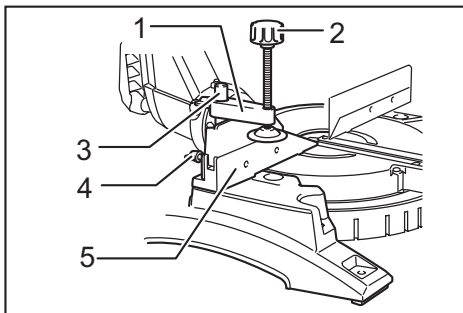


► 1. Garde auxiliaire de droite 2. Vis

Le garde auxiliaire de droite peut être retiré par le côté droit du garde de guidage. Pour retirer le garde auxiliaire de droite, desserrez la vis qui le fixe et tirez-le. Suivez la procédure inverse pour le réinstaller.

Lorsque le biseautage est terminé, n'oubliez pas de remettre le garde auxiliaire de droite dans sa position originale et de l'immobiliser fermement avec la vis de serrage.

## Étau vertical



► 1. Bras de l'étau 2. Bouton de l'étau 3. Tige de l'étau 4. Vis 5. Garde de guidage

L'étau vertical peut être installé soit du côté gauche soit du côté droit du garde de guidage. Insérez la tige de l'étau dans l'orifice situé à l'arrière du garde de guidage, et serrez la vis pour immobiliser la tige de l'étau.

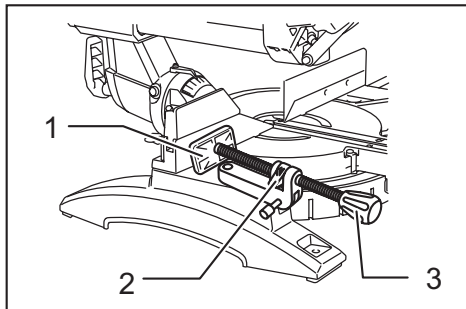
Positionnez le bras de l'étau selon l'épaisseur et la forme de la pièce, et fixez le bras de l'étau en serrant la vis. Si la vis qui retient le bras de l'étau entre en contact avec le garde de guidage, installez-la de l'autre côté du bras de l'étau. Assurez-vous qu'aucune partie de l'outil n'entre en contact avec l'étau lorsque vous abaissez complètement la poignée et tirez ou poussez jusqu'au bout le chariot. Si une partie quelconque entre en contact avec l'étau, modifiez la position de ce dernier. Appuyez la pièce bien à plat contre le garde de guidage et tournez le socle rotatif. Placez la pièce sur la position de coupe désirée et immobilisez-la fermement en serrant le bouton de l'étau.



### **MISE EN GARDE :**

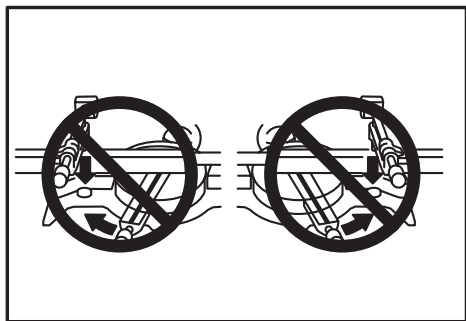
- Utilisez l'étau pour immobiliser la pièce contre le socle pivotant et le garde de guidage au cours de toute opération. Si la pièce n'est pas bien immobilisée contre le garde, le matériau peut bouger pendant la coupe, ce qui risquerait d'endommager la lame, d'entraîner la projection de la pièce et une perte de contrôle, ce qui risquerait de vous blesser.

### **Étau horizontal (Accessoire en option)**



- 1. Plaque de l'étau 2. Écrou de l'étau 3. Bouton de l'étau

L'étau horizontal peut être installé sur l'une ou l'autre de deux positions, du côté gauche ou droit de la base. Lorsque vous effectuez des coupes d'onglet de 10° ou plus, installez l'étau horizontal du côté opposé au sens où doit être tourné le socle rotatif.



En faisant basculer l'écrou de l'étau dans le sens inverse des aiguilles d'une montre, l'étau est relâché et peut être déplacé rapidement vers l'intérieur et l'extérieur. Pour serrer la pièce, poussez le bouton de l'étau vers l'avant jusqu'à ce que la plaque de l'étau touche la pièce, puis faites basculer l'écrou de l'étau dans le sens des aiguilles d'une montre. Faites ensuite pivoter l'écrou de l'étau dans le sens des aiguilles d'une montre pour immobiliser la pièce.

La largeur maximale de la pièce qui peut être immobilisée par l'étau horizontal est de 215 mm (8-1/2"). Lorsque vous installez l'étau horizontal du côté droit de la base, utilisez également le garde auxiliaire de droite pour immobiliser la pièce plus fermement. Référez-vous à la section "Garde auxiliaire de droite" ci-dessus pour son installation.

### **MISE EN GARDE :**

- Faites toujours pivoter l'écrou de l'étau dans le sens des aiguilles d'une montre jusqu'à immobilisation complète de la pièce. Si la pièce n'est pas bien immobilisée, le matériau peut se déplacer au cours des opérations de coupe, ce qui peut endommager la lame, entraîner une projection du matériau, une perte de contrôle et éventuellement vous blesser.
- Lors du découpage d'une pièce mince, comme des plinthes, contre le garde, utilisez toujours l'étau horizontal.

## **UTILISATION**

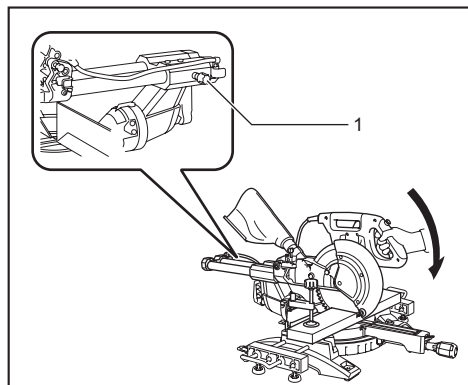
### **AVIS :**

- Avant l'utilisation, assurez-vous d'avoir dégagé la poignée de la position basse en tirant sur la broche de blocage.
- Pendant la coupe, n'appliquez pas une pression excessive sur la poignée. L'application d'une trop grande force peut entraîner une surcharge du moteur et/ou réduire la capacité de coupe. Abaissez la poignée en ne lui appliquant que la force nécessaire pour obtenir une coupe en douceur et sans décélération excessive de la lame.
- Abaissez doucement la poignée pour effectuer la coupe. Si la poignée est abaissée avec force ou si une force latérale lui est appliquée, la lame vibrera et laissera une marque (trace de scie) dans la pièce, et la précision de la coupe sera affectée.
- Lors d'une coupe en glissière, poussez doucement le chariot vers le garde de guidage sans arrêter. Si le mouvement du chariot est interrompu pendant la coupe, cela laissera une marque sur la pièce et la précision de la coupe sera affectée.

### **MISE EN GARDE :**

- Assurez-vous que la lame ne touche pas la pièce, etc. avant de mettre la gâchette en position marche. Si vous ne respectez pas cette précaution, vous risquez un choc en retour qui pourrait vous blesser grièvement.

## 1. Coupe sous presse (coupe de petites pièces)



► 1. Vis de verrouillage

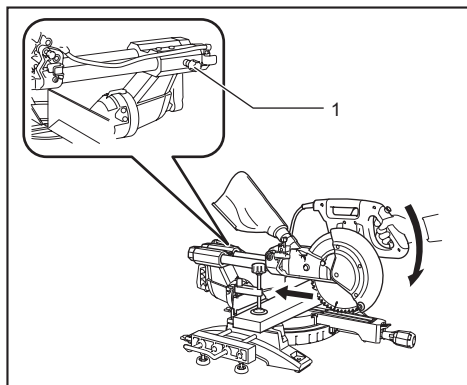
Les pièces de 91 mm (3-5/8") de hauteur et de 70 mm (2-3/4") de largeur maximum peuvent être coupées de la façon suivante.

Poussez complètement le chariot vers le garde de guidage et serrez les vis de verrouillage dans le sens des aiguilles d'une montre pour fixer le chariot. Fixez bien la pièce avec le bon type d'étau. Mettez le contact alors que la lame ne touche aucune surface, et attendez que la lame ait atteint sa pleine vitesse avant de l'abaisser. Puis descendez lentement la poignée vers la position complètement abaissée pour découper la pièce. Une fois la coupe terminée, coupez le contact et ATTENDEZ L'ARRÊT COMPLET DE LA LAME avant de remettre la lame en position complètement élevée.

### ▲ MISE EN GARDE :

- **Serrez fermement le bouton en le tournant dans le sens des aiguilles d'une montre pour éviter que le chariot ne bouge durant l'utilisation.** Si le bouton n'est pas suffisamment serré, cela risquerait de provoquer un choc en retour inattendu, et de graves blessures.

## 2. Coupe en glissière (poussée) (coupe de grandes pièces)



► 1. Vis de verrouillage

Desserrez la vis de verrouillage dans le sens inverse des aiguilles d'une montre pour que le chariot puisse glisser librement. Fixez la pièce avec le bon type d'étau. Tirez complètement le chariot vers vous. Mettez le contact alors que la lame ne touche aucune surface, et attendez que la lame ait atteint sa pleine vitesse. Poussez la poignée vers le bas et **PUSSEZ LE CHARIOT VERS LE GARDE DE GUIDAGE ET À TRAVERS LA PIÈCE.** Une fois la coupe terminée, coupez le contact et **ATTENDEZ L'ARRÊT COMPLET DE LA LAME** avant de remettre la lame en position complètement élevée.

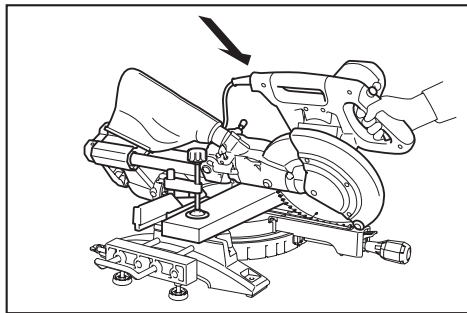
### ▲ MISE EN GARDE :

- **Avant d'effectuer une coupe en glissière, commencez par tirer complètement le chariot vers vous et appuyez à fond sur la poignée, puis poussez le chariot vers le garde de guidage. Ne commencez jamais la coupe si le chariot n'est pas complètement vers vous.** Si vous effectuez la coupe en glissière alors que le chariot n'est pas complètement vers vous, vous risquez un choc en retour inattendu et une blessure grave.
- **N'essayez jamais d'effectuer une coupe en glissière en tirant le chariot vers vous.** Si vous ne respectez pas cette précaution, un choc en retour inattendu est possible, et vous risquez de graves blessures.
- N'effectuez jamais une coupe en glissière lorsque la poignée est verrouillée en position abaissée.
- **Ne desserrez jamais la vis de verrouillage immobilisant le chariot lorsque la lame tourne.** Cela risquerait de provoquer un choc en retour inattendu, et de graves blessures.

## 3. Coupe d'onglet

Référez-vous à la section précédente intitulée "Réglage de l'angle de coupe d'onglet."

## 4. Coupe en biseau



Desserrez le levier et inclinez la lame pour régler l'angle de coupe en biseau (référez-vous à la section précédente intitulée "Réglage de l'angle de coupe en biseau"). Assurez-vous d'avoir resserré fermement le levier pour fixer de manière sûre l'angle de coupe en biseau sélectionné. Immobilisez la pièce avec un étau. Assurez-vous que le chariot est complètement ramené vers vous. Mettez l'outil sous tension alors que la lame n'entre en contact avec aucune surface, et attendez qu'elle ait atteint sa pleine vitesse. Abaissez ensuite doucement la poignée sur la position la plus basse tout en appliquant une pression parallèle à la lame et **POUSSEZ LE CHARIOT VERS LE GARDE PARALLÈLE POUR COUPER LA PIÈCE**. Une fois la coupe terminée, mettez l'outil hors tension et **ATTENDEZ L'ARRÊT COMPLET DE LA LAME** avant de remettre la lame sur sa position la plus élevée.

### ⚠ MISE EN GARDE :

- **Après le réglage de la lame pour une coupe en biseau, et avant d'utiliser l'outil, assurez-vous que les courses du chariot et de la lame ne sont pas entravées sur toute la longueur de la coupe prévue.** Si la course du chariot ou de la lame est entravée au cours d'une opération de coupe, un choc en retour et de graves blessures sont possibles.
- **Lorsque vous effectuez une coupe en biseau, gardez les mains hors du trajet de la lame.** L'angle de la lame peut induire l'opérateur en erreur quant au trajet de la lame lors de la coupe et le contact de la lame peut provoquer de graves blessures.
- **Vous ne devez pas relever la lame avant son arrêt complet.** Au cours d'une coupe en biseau, des résidus de sciure de la pièce peuvent se coller à la lame. Si vous relevez la lame alors qu'elle tourne, la pièce découpée peut être éjectée, ce qui risquerait de briser le matériau et de vous blesser grièvement.

### AVIS :

- Lorsque vous appuyez sur la poignée, faites-le parallèlement à la lame. Si une force est appliquée de façon perpendiculaire au socle rotatif ou si le sens de la pression est modifié au cours d'une coupe, la précision de cette dernière en pâtira.
- Un réglage de l'ergot coulissant peut s'avérer nécessaire avant de procéder à une coupe en biseau. Consultez la section intitulée « Réglage du garde de guidage ».

### ⚠ ATTENTION :

- Retirez toujours le garde auxiliaire de droite pour qu'il n'interfère avec aucune partie du chariot lors de coupes en biseau vers la droite.

## 5. Coupe mixte

La coupe mixte consiste à effectuer en même temps une coupe en biseau et une coupe d'onglet sur une pièce. La coupe mixte est possible pour les angles indiqués dans le tableau.

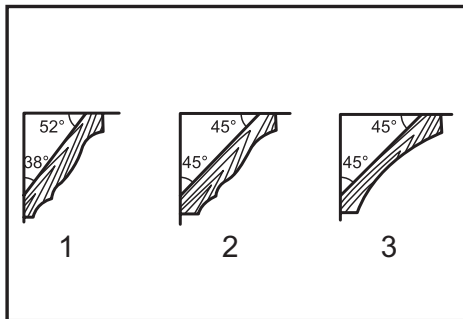
Angle de coupe d'onglet	Angle de coupe en biseau
Gauche et droite 0° à 45°	Gauche et droite 0° à 45°

Pour effectuer une coupe mixte, référez-vous aux explications des sections "Coupe de petites pièces", "Coupe en glissière", "Coupe d'onglet" et "Coupe en biseau".

## 6. Coupe de moulures couronnées et concaves

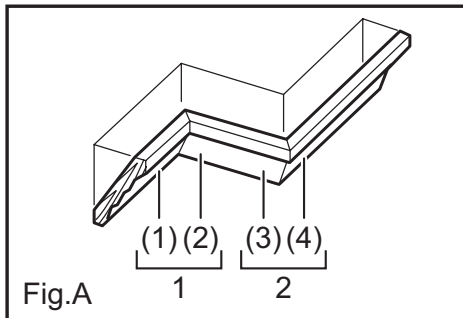
Les moulures couronnées et concaves peuvent être coupées avec une scie d'onglet combinée, en les déposant à plat sur le socle rotatif.

Il existe deux types communs de moulures couronnées et un type de moulure concave, à savoir : les moulures couronnées pour angles de murs respectifs de 52/38° et 45°, et les moulures concaves pour angle de mur de 45°. Voir les illustrations.

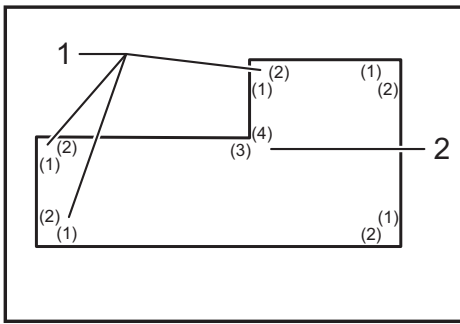


- ▶ 1. Moulure couronnée du type 52/38° 2. Moulure couronnée du type 45° 3. Moulure concave du type 45°

Il existe des joints de moulures couronnées et concaves qui s'adaptent aux coins "intérieurs" de 90° ((1) et (2) sur la Fig. A), et aux coins "extérieurs" de 90° ((3) et (4) sur la Fig. A).



1. Coin intérieur 2. Coin extérieur



► 1. Coin intérieur 2. Coin extérieur

### Mesure

Mesurez la longueur du mur et ajustez la pièce sur l'établi pour couper à la longueur désirée le bord qui entrera en contact avec le mur. Assurez-vous toujours que la longueur de la pièce coupée à l'arrière de la pièce correspond à celle du mur. Ajustez la longueur de coupe selon l'angle de coupe. Vérifiez toujours les angles de coupe de la scie en effectuant des tests sur quelques morceaux. Lorsque vous coupez des moulures couronnées et concaves, réglez l'angle de coupe en biseau et l'angle de coupe d'onglet tel qu'indiqué dans le tableau (A) et placez les moulures sur la face supérieure de la base de la scie, tel qu'indiqué dans le tableau (B).

### Dans le cas d'une coupe en biseau sur la gauche

Tableau (A)

	Position de moulure sur la Fig. A	Angle de coupe en biseau		Angle de coupe d'onglet	
		Type 52/38°	Type 45°	Type 52/38°	Type 45°
Pour coin intérieur	(1)	Gauche 33,9°	Gauche 30°	Droite 31,6°	Droite 35,3°
	(2)				
Pour coin extérieur	(3)			Gauche 31,6°	Gauche 35,3°
	(4)			Droite 31,6°	Droite 35,3°

Tableau (B)

	Position de moulure sur la Fig. A	Bord de moulure contre le garde de guidage	Pièce terminée
Pour coin intérieur	(1)	Le bord de contact avec le plafond doit être contre le garde de guidage.	La pièce terminée sera du côté gauche de la lame.
	(2)	Le bord de contact avec le mur doit être contre le garde de guidage.	
Pour coin extérieur	(3)	Le bord de contact avec le plafond doit être contre le garde de guidage.	La pièce terminée sera du côté droit de la lame.
	(4)		

EXEMPLE Dans le cas d'une coupe de moulure couronnée du type 52/38° pour la position (1) de la Fig. A :

- Inclinez l'angle de coupe en biseau et immobilisez-le sur 33,9° vers la GAUCHE.
- Réglez l'angle de coupe d'onglet et immobilisez-le sur 31,6° vers la DROITE.
- Déposez sur le socle rotatif la moulure couronnée, face large (cachée) orientée vers le bas, et en plaçant le BORD DE CONTACT AVEC LE PLAFOND contre le garde de guidage de la scie.
- La pièce terminée à utiliser doit toujours être du côté GAUCHE de la lame une fois la coupe terminée.

### Dans le cas d'une coupe en biseau sur la droite

Tableau (A)

	Position de moulure sur la Fig. A	Angle de coupe en biseau		Angle de coupe d'onglet	
		Type 52/38°	Type 45°	Type 52/38°	Type 45°
Pour coin intérieur	(1)	Droite 33,9°	Droite 30°	Droite 31,6°	Droite 35,3°
	(2)				
Pour coin extérieur	(3)			Gauche 31,6°	Gauche 35,3°
	(4)			Droite 31,6°	Droite 35,3°

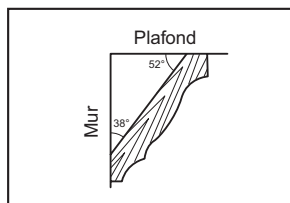
Tableau (B)

	Position de moulure sur la Fig. A	Bord de moulure contre le garde de guidage	Pièce terminée
Pour coin intérieur	(1)	Le bord de contact avec le mur doit être contre le garde de guidage.	La pièce terminée sera du côté droit de la lame.
	(2)	Le bord de contact avec le plafond doit être contre le garde de guidage.	
Pour coin extérieur	(3)	Le bord de contact avec le mur doit être contre le garde de guidage.	La pièce terminée sera du côté gauche de la lame.
	(4)		

EXEMPLE Dans le cas d'une coupe de moulure couronnée du type 52/38° pour la position (1) de la Fig. A :

- Inclinez l'angle de coupe en biseau et immobilisez-le sur 33,9° vers la DROITE.
- Réglez l'angle de coupe d'onglet et immobilisez-le sur 31,6° vers la DROITE.
- Déposez sur le socle rotatif la moulure couronnée, face large (cachée) orientée vers le bas, et en plaçant le BORD DE CONTACT AVEC LE MUR contre le garde de guidage de la scie.
- La pièce terminée à utiliser doit toujours être du côté DROIT de la lame une fois la coupe terminée.

Scie à coupe d'onglet mixte  
Réglages de l'angle de coupe d'onglet et de  
l'angle de coupe en biseau



000031

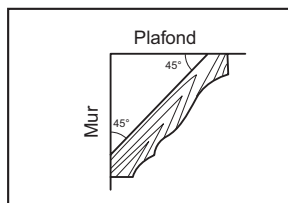
Angle de mur à la moulure couronnée: 52/38 degrés

Angle de mur (deg.)	Angle de coupe en biseau (deg.)	Angle de coupe d'onglet (deg.)
60	43,0	46,8
61	42,8	46,3
62	42,5	45,7
63	42,2	45,1
64	41,9	44,6
65	41,7	44,0
66	41,4	43,5
67	41,1	42,9
68	40,8	42,4
69	40,5	41,9
70	40,2	41,3
71	39,9	40,8
72	39,6	40,3
73	39,3	39,8
74	39,0	39,2
75	38,7	38,7
76	38,4	38,2
77	38,1	37,7
78	37,8	37,2
79	37,4	36,8
80	37,1	36,3
81	36,8	35,8
82	36,5	35,3
83	36,2	34,8
84	35,8	34,4
85	35,5	33,9
86	35,2	33,4
87	34,9	33,0
88	34,5	32,5
89	34,2	32,1
90	33,9	31,6
91	33,5	31,2
92	33,2	30,7
93	32,8	30,3
94	32,5	29,9
95	32,2	29,4
96	31,8	29,0
97	31,5	28,6
98	31,1	28,2
99	30,8	27,7
100	30,4	27,3

Angle de mur (deg.)	Angle de coupe en biseau (deg.)	Angle de coupe d'onglet (deg.)
101	30,1	26,9
102	29,7	26,5
103	29,4	26,1
104	29,0	25,7
105	28,7	25,3
106	28,3	24,9
107	28,0	24,5
108	27,6	24,1
109	27,2	23,7
110	26,9	23,3
111	26,5	22,9
112	26,1	22,6
113	25,8	22,2
114	25,4	21,8
115	25,0	21,4
116	24,7	21,0
117	24,3	20,7
118	23,9	20,3
119	23,6	19,9
120	23,2	19,6
121	22,8	19,2
122	22,5	18,8
123	22,1	18,5
124	21,7	18,1
125	21,3	17,8
126	21,0	17,4
127	20,6	17,1
128	20,2	16,7
129	19,8	16,4
130	19,5	16,0
131	19,1	15,7
132	18,7	15,3
133	18,3	15,0
134	17,9	14,6
135	17,6	14,3
136	17,2	14,0
137	16,8	13,6
138	16,4	13,3
139	16,0	13,0
140	15,6	12,8

Angle de mur (deg.)	Angle de coupe en biseau (deg.)	Angle de coupe d'onglet (deg.)
141	15,3	12,3
142	14,9	12,0
143	14,5	11,6
144	14,1	11,3
145	13,7	11,0
146	13,3	10,7
147	12,9	10,3
148	12,5	10,0
149	12,2	9,7
150	11,8	9,4
151	11,4	9,0
152	11,0	8,7
153	10,8	8,4
154	10,2	8,1
155	9,8	7,8
156	9,4	7,5
157	9,0	7,1
158	8,6	6,8
159	8,3	6,5
160	7,9	6,2
161	7,5	5,9
162	7,1	5,6
163	6,7	5,3
164	6,3	4,9
165	5,9	4,6
166	5,5	4,3
167	5,1	4,0
168	4,7	3,7
169	4,3	3,4
170	3,9	3,1
171	3,5	2,8
172	3,2	2,5
173	2,8	2,2
174	2,4	1,8
175	2,0	1,5
176	1,6	1,2
177	1,2	0,9
178	0,8	0,6
179	0,4	0,3
180	0,0	0,0

Scie à coupe d'onglet mixte  
Réglages de l'angle de coupe d'onglet et de  
l'angle de coupe en biseau



000032

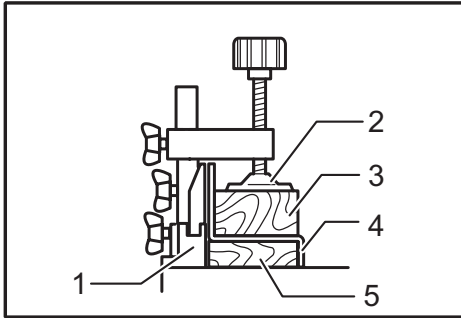
Angle de mur à la moulure couronnée: 45 degrés

Angle de mur (deg.)	Angle de coupe en biseau (deg.)	Angle de coupe d'onglet (deg.)
60	37,8	50,8
61	37,5	50,2
62	37,3	49,6
63	37,1	49,1
64	36,8	48,5
65	36,6	48,0
66	36,4	47,4
67	36,1	46,9
68	35,9	46,4
69	35,6	45,8
70	35,4	45,3
71	35,1	44,8
72	34,9	44,2
73	34,6	43,7
74	34,4	43,2
75	34,1	42,7
76	33,9	42,1
77	33,6	41,6
78	33,3	41,1
79	33,1	40,6
80	32,8	40,1
81	32,5	39,6
82	32,3	39,1
83	32,0	38,6
84	31,7	38,1
85	31,4	37,7
86	31,1	37,2
87	30,9	36,7
88	30,6	36,2
89	30,3	35,7
90	30,0	35,3
91	29,7	34,8
92	29,4	34,3
93	29,1	33,9
94	28,8	33,4
95	28,5	32,9
96	28,2	32,5
97	27,9	32,0
98	27,6	31,6
99	27,3	31,1
100	27,0	30,7

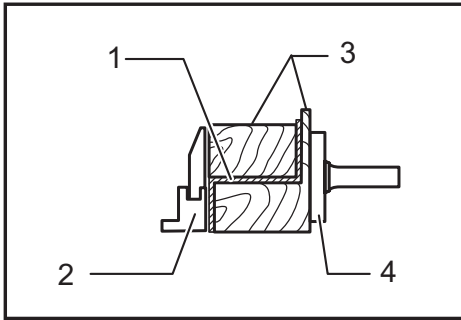
Angle de mur (deg.)	Angle de coupe en biseau (deg.)	Angle de coupe d'onglet (deg.)
101	26,7	30,2
102	26,4	29,8
103	26,1	29,4
104	25,8	28,9
105	25,5	28,5
106	25,2	28,1
107	24,9	27,6
108	24,6	27,2
109	24,2	26,8
110	23,9	26,3
111	23,6	25,9
112	23,3	25,5
113	23,0	25,1
114	22,7	24,7
115	22,3	24,3
116	22,0	23,8
117	21,7	23,4
118	21,4	23,0
119	21,0	22,6
120	20,7	22,2
121	20,4	21,8
122	20,0	21,4
123	19,7	21,0
124	19,4	20,6
125	19,1	20,2
126	18,7	19,8
127	18,4	19,4
128	18,1	19,0
129	17,7	18,6
130	17,4	18,2
131	17,1	17,9
132	16,7	17,5
133	16,4	17,1
134	16,0	16,7
135	15,7	16,3
136	15,4	15,9
137	15,0	15,6
138	14,7	15,2
139	14,3	14,8
140	14,0	14,4

Angle de mur (deg.)	Angle de coupe en biseau (deg.)	Angle de coupe d'onglet (deg.)
141	13,7	14,1
142	13,3	13,7
143	13,0	13,3
144	12,6	12,9
145	12,3	12,6
146	11,9	12,2
147	11,6	11,8
148	11,2	11,5
149	10,9	11,1
150	10,5	10,7
151	10,2	10,4
152	9,8	10,0
153	9,5	9,6
154	9,2	9,3
155	8,8	8,9
156	8,5	8,5
157	8,1	8,2
158	7,8	7,8
159	7,4	7,5
160	7,1	7,1
161	6,7	6,7
162	6,4	6,4
163	6,0	6,0
164	5,6	5,7
165	5,3	5,3
166	4,9	5,0
167	4,6	4,6
168	4,2	4,3
169	3,9	3,9
170	3,5	3,5
171	3,2	3,2
172	2,8	2,8
173	2,5	2,5
174	2,1	2,1
175	1,8	1,8
176	1,4	1,4
177	1,1	1,1
178	0,7	0,7
179	0,4	0,4
180	0,0	0,0

## 7. Coupe de profilés d'aluminium



- 1. Garde de guidage 2. Étau 3. Cale d'espacement  
4. Profilé d'aluminium 5. Cale d'espacement



- 1. Profilé d'aluminium 2. Garde de guidage 3. Cale d'espacement 4. Étau horizontal (Accessoire en option)

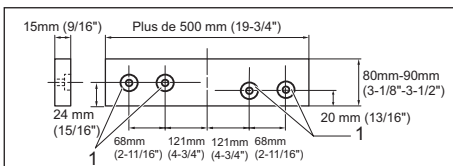
Lorsque vous immobilisez des profilés d'aluminium, utilisez des cales d'espacement ou des bouts de ferraille, tel qu'indiqué sur l'illustration, pour prévenir la déformation de l'aluminium. Utilisez un lubrifiant de coupe lorsque vous coupez un profilé d'aluminium, pour prévenir l'accumulation de particules d'aluminium sur la lame.

### ⚠ MISE EN GARDE :

- **N'essayez jamais de couper des profilés d'aluminium épais ou ronds.** Il peut être compliqué d'immobiliser de tels profilés, ce qui risque de provoquer une perte de contrôle et de graves blessures.

## 8. Parement de bois

L'utilisation d'un parement de bois favorise l'obtention de pièces coupées sans fente. Fixez un parement de bois au garde de guidage en utilisant les orifices de ce dernier. Voir l'illustration des dimensions suggérées pour le parement de bois.



1. Trous

### ⚠ ATTENTION :

- Utilisez une planche de bois rectiligne dont l'épaisseur est la même que le parement de bois.

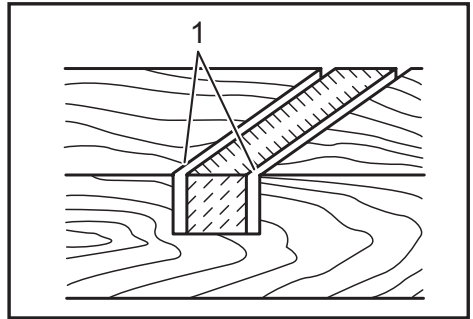
### ⚠ MISE EN GARDE :

- **Utilisez les vis pour fixer le parement de bois au garde de guidage. Les vis doivent être installées de sorte à ce que les têtes des vis se trouvent sous la surface du parement de bois afin de ne pas entraver le placement du matériau à couper.** Un mauvais alignement du matériau pourrait provoquer un mouvement inattendu lors de la coupe, une perte de contrôle et de graves blessures.

### AVIS :

- Lorsqu'un parement de bois est fixé, ne tournez pas le socle rotatif alors que la poignée est abaissée. La lame et/ou le parement de bois subirait des dommages.

## 9. Rainurage



- 1. Rainures de coupe avec la lame

Des rainures peuvent être effectuées en procédant comme suit :

Ajustez la position limite inférieure de la lame au moyen de la vis de réglage et du bras de blocage pour limiter la profondeur de coupe de la lame. Référez-vous à la section "Bras de blocage" ci-dessus. Après le réglage de la limite inférieure de la lame, coupez des rainures parallèles sur la largeur de la pièce, en procédant par coupe en glissière (poussée), tel qu'indiqué sur l'illustration. Retirez ensuite le matériau de la pièce entre les rainures, au moyen d'un ciseau.

### ⚠ MISE EN GARDE :

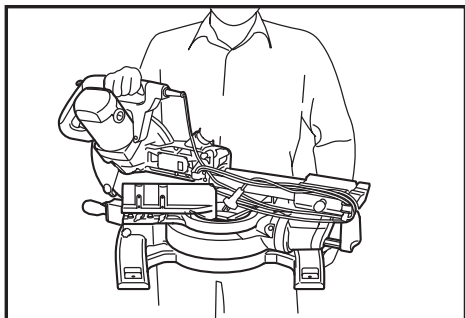
- **N'essayez pas d'effectuer ce type de coupe au moyen d'une lame plus large ou d'une lame à rainer.** Dans le cas contraire, les résultats de la coupe ne peuvent être garantis et vous risquez un choc en retour et de graves blessures.
- **Assurez-vous d'avoir remis le bras de blocage sur sa position initiale avant d'effectuer un autre type de coupe que le rainurage.** Si le bras de blocage n'est pas dans la bonne position, les résultats de la coupe ne peuvent être garantis et vous risquez un choc en retour et de graves blessures.



### ⚠ ATTENTION :

- Assurez-vous d'avoir remis le bras de blocage sur sa position initiale avant d'effectuer un autre type de coupe que le rainurage.

## Transport de l'outil



Assurez-vous que l'outil est débranché. Fixez la lame à un angle de coupe en biseau de 0° et tournez la base à l'angle droit d'onglet. Fixez les tiges de glissement de manière à ce que la tige de glissement inférieure soit verrouillée en position complètement tirée vers l'opérateur et que les tiges de glissement supérieures soient verrouillées dans une position complètement enfoncée du chariot contre le garde de guidage (consultez la section intitulée « Réglage du verrou de la glissière »). Abaissez complètement la poignée et verrouillez-la dans cette position en appuyant sur la broche d'arrêt. Enroulez le cordon d'alimentation à l'aide du dispositif prévu à cet effet.

### ⚠ MISE EN GARDE :

- **La broche de blocage est conçue pour le transport et le rangement de l'outil, jamais pour les travaux de coupe.** Si vous l'utilisez à d'autres fins, un mouvement inattendu de la lame de la scie est possible, ainsi qu'un choc en retour et de graves blessures.

Saisissez l'outil par les deux côtés de sa base pour le transporter, comme indiqué sur l'illustration. L'outil sera plus facile à transporter si vous retirez les supports, le sac à poussières, etc.

### ⚠ ATTENTION :

- Fixez toujours les composants mobiles de l'outil avant de le transporter. Si des composants de l'outil bougent lors de son transport, vous risquez de perdre le contrôle ou l'équilibre, et de vous blesser.

## ENTRETIEN

### ⚠ MISE EN GARDE :

- **Assurez-vous toujours que l'outil est hors tension et débranché avant d'y effectuer tout travail d'inspection ou d'entretien.** Dans le cas contraire, l'outil pourrait démarrer accidentellement et vous blesser grièvement.
- **Assurez-vous toujours que la lame est bien affûtée et propre pour qu'elle coupe de manière sûre et optimale.** Si vous essayez de couper avec une lame émoussée et/ou sale, un choc en retour est possible, et vous risquez de graves blessures.

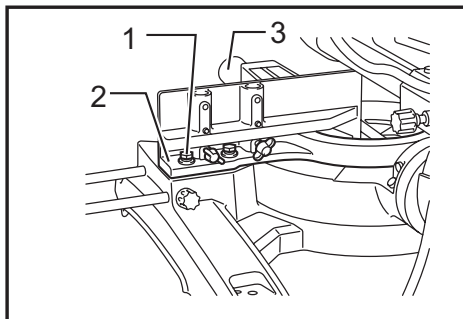
### AVIS :

- N'utilisez jamais d'essence, de benzine, de solvant, d'alcool ou d'autres produits similaires. Une décoloration, une déformation, ou la formation de fissures peuvent en découler.

## Réglage de l'angle de coupe

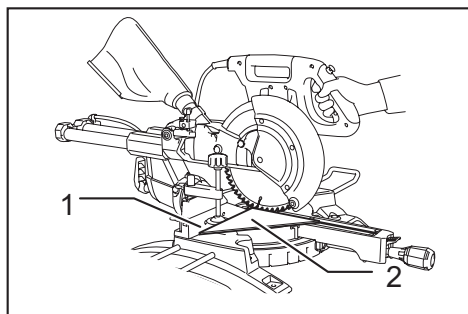
L'outil est soigneusement réglé et aligné en usine, mais cet alignement peut être éventuellement affecté s'il est manipulé avec brutalité. Si l'outil n'est pas bien aligné, suivez la procédure suivante :

### 1. Angle de coupe d'onglet



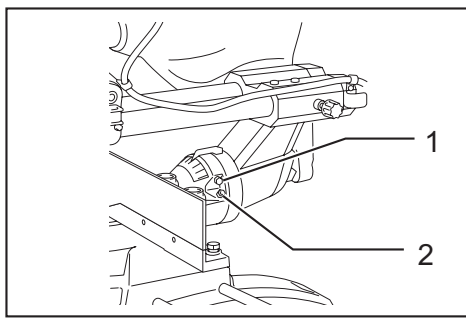
- 1. Boulon hexagonal 2. Garde de guidage  
3. Poignée

Poussez le chariot vers le garde de guidage et serrez le vis de verrouillage pour fixer le chariot. Desserrez le manche qui retient le socle rotatif. Tournez le socle rotatif de sorte que le pointeur indique 0° sur l'échelle de coupe d'onglet. Tournez ensuite le socle rotatif légèrement dans le sens des aiguilles d'une montre et dans le sens inverse pour asseoir le socle rotatif dans l'encoche d'onglet de 0°. (Laissez-le ainsi si le pointeur n'indique pas 0°.) Desserrez les boulons hexagonaux qui immobilisent le garde de guidage avec la clé à douille.



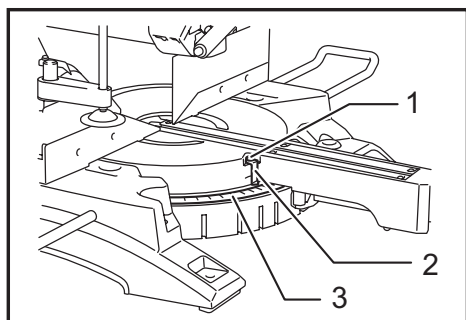
► 1. Garde de guidage 2. Règle triangulaire

Abaissez complètement la poignée et verrouillez-la dans cette position en appuyant sur la broche d'arrêt. Placez le côté de la lame à angle droit par rapport au garde de guidage à l'aide d'une règle triangulaire, d'une équerre de menuisier, etc. Puis serrez fermement les boulons hexagonaux sur le garde de guidage dans l'ordre à partir du côté droit.



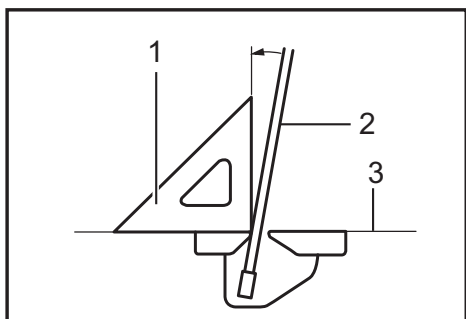
► 1. Boulon de réglage 0° 2. Boulon de réglage de l'angle de coupe en biseau 45° de gauche

Tournez le boulon hexagonal sur le côté droit du bras de deux ou trois tours dans le sens inverse des aiguilles d'une montre pour incliner la lame vers la droite.



► 1. Vis 2. Index 3. Échelle de coupe d'onglet

Assurez-vous que le pointeur indique 0° sur l'échelle de coupe d'onglet. Si le pointeur n'indique pas 0°, desserrez la vis qui retient le pointeur et réglez le pointeur de sorte qu'il indique 0°.

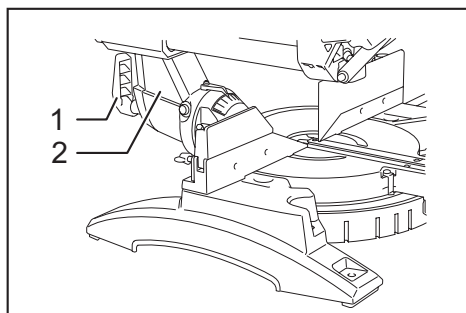


► 1. Règle triangulaire 2. Lame 3. Face supérieure du socle rotatif

Placez doucement le côté de la lame à angle droit par rapport à la face supérieure du socle rotatif à l'aide d'une règle triangulaire, d'une équerre de menuisier, etc. en tournant le boulon hexagonal sur le côté droit du bras dans le sens des aiguilles d'une montre. Serrez ensuite le levier fermement.

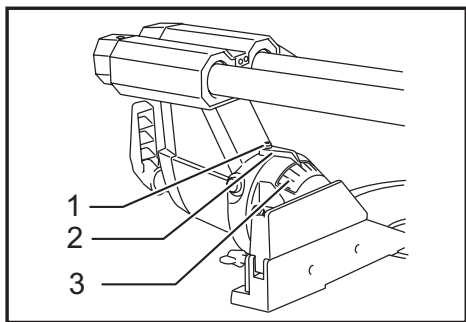
## 2. Angle de coupe en biseau

(1) Angle de coupe en biseau 0°



► 1. Levier 2. Bras

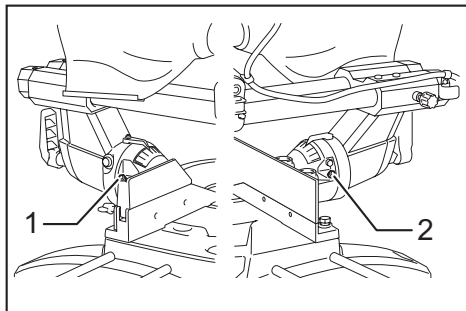
Poussez le chariot vers le garde de guidage et serrez la vis de verrouillage pour fixer le chariot. Abaissez complètement la poignée et verrouillez-la dans cette position en appuyant sur la broche d'arrêt. Desserrez le levier à l'arrière de l'outil.



► 1. Vis 2. Index 3. Échelle de coupe en biseau

Assurez-vous que le pointeur du bras pointe sur 0° sur l'échelle de coupe en biseau sur le support du bras. S'il n'indique pas 0°, desserrez la vis qui immobilise le pointeur et réglez-le pour qu'il indique 0°.

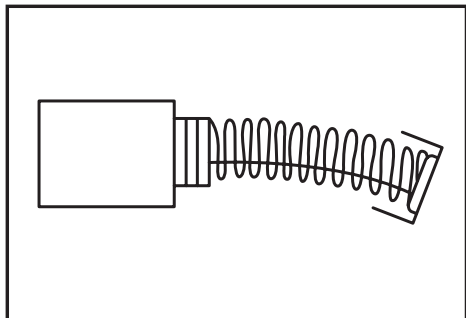
## (2) Angle de coupe en biseau 45°



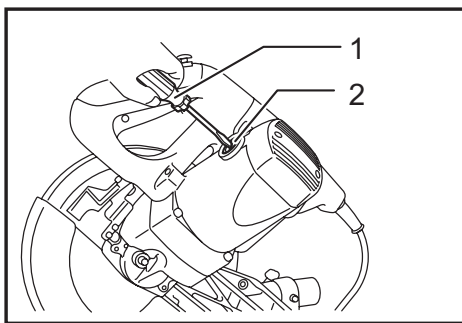
- 1. Boulon de réglage de l'angle de coupe en biseau 45° de droite 2. Boulon de réglage de l'angle de coupe en biseau 45° de gauche

Ne réglez l'angle de biseau 45° qu'après avoir réglé l'angle de biseau 0°. Pour régler l'angle de biseau 45° gauche, desserrez le levier et inclinez la lame complètement vers la gauche. Assurez-vous que le pointeur du bras pointe sur 45° sur l'échelle de coupe en biseau sur le support du bras. Si le pointeur ne pointe pas sur 45°, tournez le boulon de réglage d'angle de biseau 45° du côté droit du support du bras jusqu'à ce que le pointeur indique 45°.

Pour régler l'angle de coupe en biseau de 45° droit, effectuez la même procédure que celle décrite ci-dessus.



Retirez et vérifiez régulièrement les charbons. Remplacez-les lorsqu'ils sont usés jusqu'à une longueur de 3 mm. Gardez les charbons propres et libres de glisser dans les porte-charbons. Les deux charbons doivent être remplacés en même temps. Utilisez uniquement des charbons identiques. Utilisez un tournevis pour retirer les bouchons de porte-charbon. Enlevez les charbons usés, insérez-en de nouveaux et revissez solidement les bouchons de porte-charbon.



- 1. Tournevis 2. Bouchon de porte-charbon

Après avoir remplacé les charbons, branchez l'outil et rodez les brosses en faisant fonctionner l'outil à vide pendant environ 10 minutes. Vérifiez ensuite le bon fonctionnement de l'outil, ainsi que l'activation du frein électrique lors du relâchement de la gâchette. Si le frein électrique ne fonctionne pas correctement, faites réparer l'outil par un centre de service après-vente Makita.

## Après l'utilisation

- Après l'utilisation, essuyez les copeaux et poussières qui adhèrent à l'outil au moyen d'un linge ou d'un objet similaire. Maintenez le protecteur de lame propre en respectant les instructions de la section précédente intitulée "Protecteur de lame." Pour prévenir la rouille, lubrifiez les pièces mobiles avec de l'huile pour machine.
- Lorsque vous rangez l'outil, tirez complètement le chariot vers vous.

Pour maintenir la SÉCURITÉ et la FIABILITÉ du produit, les réparations, tout autre travail d'entretien ou de réglage doivent être effectués dans un centre de service Makita agréé ou un centre de service de l'usine Makita, exclusivement avec des pièces de rechange Makita.

## ACCESSOIRES EN OPTION

### ⚠ MISE EN GARDE :

- Ces accessoires ou pièces complémentaires sont recommandés pour l'utilisation avec l'outil Makita spécifié dans ce mode d'emploi. L'utilisation de tout autre accessoire ou pièce complémentaire peut comporter un risque de blessure grave.
- N'utilisez les accessoires ou pièces complémentaires Makita qu'aux fins auxquelles ils ont été conçus. Dans le cas contraire, vous risquez de vous blesser grièvement.

Si vous désirez obtenir plus de détails concernant ces accessoires, veuillez contacter le centre de service après-vente Makita le plus près.

- Lames à dents d'acier et de carbure de tungstène (Reportez-vous à notre site Web ou contactez votre détaillant Makita local pour savoir quelles sont les bonnes lames de scie à utiliser suivant le matériau à couper.)
- Garde auxiliaire de droite

- Ensemble étau (étau horizontal)
- Étau vertical
- Clé à douille avec clé hexagonale à l'autre bout
- Support
- Ensemble de support
- Sac à poussières
- Coude
- Règle triangulaire

**NOTE :**

- Certains éléments de la liste peuvent être inclus avec l'outil comme accessoires standard. Ils peuvent varier suivant les pays.

## **GARANTIE LIMITÉE MAKITA**

Pour les conditions de garantie en vigueur qui s'appliquent à ce produit, veuillez vous reporter à la feuille de garantie en annexe. Si la feuille de garantie en annexe n'est pas disponible, reportez-vous aux détails de la garantie présentés sur le site Web de votre pays, ci-dessous.

États-Unis d'Amérique: [www.makitatools.com](http://www.makitatools.com)

Canada: [www.makita.ca](http://www.makita.ca)

Autres pays: [www.makita.com](http://www.makita.com)

## ESPECIFICACIONES

Modelo	LS1018 / LS1018L
Especificaciones eléctricas en México	120 V ~ 13 A 50/60 Hz
Diámetro del disco	255 mm (10")
Diámetro interno	15,88 mm (5/8")
Ancho de corte máx. del disco de la sierra	3,2 mm (1/8")
Ángulo de inglete máximo	Derecha 60° Izquierda 47°
Ángulo de bisel máximo	Derecha 45° Izquierda 45°
Velocidad sin carga (r.p.m.)	4 300 r/min
Tipo de láser (LS1018L solamente)	Longitud de onda 650 nm, Salida máxima < 1mW (Laser Class II)
Dimensiones (La x An x Al)	825 mm x 536 mm x 633 mm (32-1/2" x 21-1/8" x 25")
Peso neto	21,5 kg (47,4 lbs)

- Debido a nuestro programa continuo de investigación y desarrollo, las especificaciones aquí dadas están sujetas a cambios sin previo aviso.
- Las especificaciones pueden variar de país a país.
- Peso de acuerdo con el procedimiento 01/2014 de EPTA

### Capacidades de corte máximas (Al x An)

Ángulo de inglete	Ángulo de bisel		
	45° (Izquierdo)	0°	45° (derecho)
0°	50 mm x 305 mm (2" x 12")	91 mm x 305 mm (3-5/8" x 12")	31 mm x 305 mm (1-1/4" x 12")
45°	50 mm x 215 mm (2" x 8-1/2")	91 mm x 215 mm (3-5/8" x 8-1/2")	31 mm x 215 mm (1-1/4" x 8-1/2")
60°(derecho)	-	91 mm x 150 mm (3-5/8" x 5-7/8")	-

## ADVERTENCIAS DE SEGURIDAD

### Advertencias generales de seguridad para herramientas eléctricas

**⚠ADVERTENCIA:** Lea todas las advertencias de seguridad, instrucciones, ilustraciones y especificaciones suministradas con esta herramienta eléctrica. El no seguir todas las instrucciones indicadas a continuación podría ocasionar una descarga eléctrica, incendio y/o lesiones graves.

### Conserve todas las advertencias e instrucciones como referencia en el futuro.

En las advertencias, el término "herramienta eléctrica" se refiere a su herramienta eléctrica de funcionamiento con conexión a la red eléctrica (con cableado eléctrico) o herramienta eléctrica de funcionamiento a batería (inalámbrica).

### Seguridad en el área de trabajo

1. **Mantenga el área de trabajo limpia y bien iluminada.** Las áreas oscuras o desordenadas son propensas a accidentes.
2. **No utilice las herramientas eléctricas en atmósferas explosivas, tal como en la presencia de líquidos, gases o polvo inflamables.** Las herramientas eléctricas crean chispas que pueden prender fuego al polvo o los humos.
3. **Mantenga a los niños y espectadores alejados mientras utiliza una herramienta eléctrica.** Las distracciones le pueden hacer perder el control.

### Seguridad eléctrica

1. **Las clavijas de las herramientas eléctricas deben encajar perfectamente en la toma de corriente. Nunca modifique la clavija en ninguna forma. No utilice ninguna clavija adaptadora con herramientas eléctricas que tengan conexión a tierra (puesta a tierra).** El uso de clavijas no modificadas y que encajen perfectamente en la toma de corriente reducirá el riesgo de que se produzca una descarga eléctrica.
2. **Evite el contacto del cuerpo con superficies conectadas a tierra o puestas a tierra tales como tubos, radiadores, cocinas y refrigeradores.** Si su cuerpo es puesto a tierra o conectado a tierra existirá un mayor riesgo de que sufra una descarga eléctrica.

3. **No exponga las herramientas eléctricas a la lluvia ni a condiciones de humedad.** La entrada de agua en una herramienta eléctrica aumentará el riesgo de que se produzca una descarga eléctrica.
4. **No maltrate el cable. Nunca utilice el cable para transportar, jalar o desconectar la herramienta eléctrica.** Mantenga el cable alejado del calor, el aceite, los bordes filosos o las piezas móviles. Los cables dañados o enredados aumentan el riesgo de que se produzca una descarga eléctrica.
5. **Cuando use una herramienta eléctrica en exteriores, utilice un cable de extensión apropiado para uso en exteriores.** El uso de un cable apropiado para uso en exteriores reducirá el riesgo de que se produzca una descarga eléctrica.
6. **Si no es posible evitar usar una herramienta eléctrica en condiciones de humedad, utilice un suministro protegido con dispositivo de corriente residual (DCR).** El uso de un DCR reduce el riesgo de una descarga eléctrica.
7. **Las herramientas eléctricas pueden producir campos electromagnéticos (CEM) que no son dañinos para el usuario.** Sin embargo, si los usuarios tienen marcapasos y otros dispositivos médicos similares, deberán consultar al fabricante de su dispositivo y/o a su médico antes de operar esta herramienta eléctrica.
8. **No toque la clavija de conexión con las manos húmedas.**
9. **Si el cable está dañado, solicite al fabricante o a su representante que lo reemplace para evitar un riesgo relacionado con la seguridad.**
6. **Use una vestimenta apropiada. No use ropa suelta ni alhajas. Mantenga el cabello, la ropa y los guantes alejados de las piezas móviles.** Las prendas de vestir holgadas, las alhajas y el cabello largo suelto podrían engancharse en estas piezas móviles.
7. **Si dispone de dispositivos para la conexión de equipos de extracción y recolección de polvo, asegúrese de conectarlos y utilizarlos debidamente.** El uso de estos dispositivos reduce los riesgos relacionados con el polvo.
8. **No permita que la familiaridad adquirida debido al uso frecuente de las herramientas haga que se sienta confiado e ignore los principios de seguridad de las herramientas.** Un descuido podría ocasionar una lesión grave en una fracción de segundo.
9. **Utilice siempre gafas protectoras para proteger sus ojos de lesiones al usar herramientas eléctricas. Las gafas deben cumplir con la Norma ANSI Z87.1 en EUA.** Es responsabilidad del empleador imponer el uso de equipos protectores de seguridad apropiados a los operadores de la herramienta y demás personas cerca del área de trabajo.

#### Mantenimiento y uso de la herramienta eléctrica

1. **No fuerce la herramienta eléctrica. Utilice la herramienta eléctrica correcta para su aplicación.** La herramienta eléctrica correcta hará un mejor trabajo de manera más segura a la velocidad para la que fue diseñada.
2. **No utilice la herramienta eléctrica si el interruptor no la enciende ni apaga.** Cualquier herramienta eléctrica que no pueda ser controlada con el interruptor es peligrosa y deberá ser reparada.
3. **Desconecte la clavija de la fuente de alimentación y/o retire la BATERÍA de la herramienta eléctrica, en caso de ser removible, antes de realizar ajustes, cambiar accesorios o almacenar las herramientas eléctricas.** Tales medidas de seguridad preventivas reducirán el riesgo de poner en marcha la herramienta eléctrica de forma accidental.
4. **Almacene las herramientas eléctricas cuando no se vayan a utilizar fuera del alcance de los niños y no permita que las personas que no estén familiarizadas con ellas o con las instrucciones las operen.** Las herramientas eléctricas son peligrosas en manos de usuarios inexpertos.
5. **Dé mantenimiento a las herramientas eléctricas y los accesorios. Compruebe que no haya piezas móviles desalineadas o estancadas, piezas rotas y cualquier otra condición que pueda afectar al funcionamiento de la herramienta eléctrica.** Si la herramienta eléctrica está dañada, haga que la reparen antes de utilizarla. Muchos de los accidentes son ocasionados por herramientas eléctricas que no han recibido un mantenimiento adecuado.
5. **No utilice la herramienta donde no alcance. Mantenga los pies sobre suelo firme y el equilibrio en todo momento.** Esto permitirá tener un mejor control sobre la herramienta eléctrica en situaciones inesperadas.

#### Seguridad personal

1. **Manténgase alerta, preste atención a lo que está haciendo y utilice su sentido común cuando opere una herramienta eléctrica. No utilice la herramienta eléctrica cuando esté cansado o bajo la influencia de drogas, alcohol o medicamentos.** Un momento de distracción mientras opera las herramientas eléctricas podría ocasionar lesiones personales graves.
2. **Use equipo de protección personal. Utilice siempre protección para los ojos.** Un equipo protector tal como máscara contra el polvo, zapatos de seguridad antiderrapantes, casco rígido y protección para oídos utilizado en las condiciones apropiadas reducirá las lesiones personales.
3. **Evite un arranque accidental. Asegúrese de que el interruptor esté en la posición de apagado antes de conectar a la alimentación eléctrica y/o colocar el paquete de baterías, así como al levantar o transportar la herramienta.** Transportar las herramientas eléctricas con su dedo en el interruptor o enchufarlas con el interruptor encendido podría ocasionar accidentes.
4. **Retire cualquier llave de ajuste o llave de apriete antes de encender la herramienta.** Una llave de ajuste o llave de apriete que se haya dejado puesta en una pieza giratoria de la herramienta eléctrica podría ocasionar lesiones personales.
5. **No utilice la herramienta donde no alcance. Mantenga los pies sobre suelo firme y el equilibrio en todo momento.** Esto permitirá tener un mejor control sobre la herramienta eléctrica en situaciones inesperadas.

7. **Utilice la herramienta eléctrica, así como los accesorios y puntas, etc. de acuerdo con estas instrucciones, tomando en cuenta las condiciones laborales y el trabajo a realizar.** Si utiliza la herramienta eléctrica para realizar operaciones distintas de las indicadas, podría presentarse una situación peligrosa.
8. **Mantenga las empuñaduras y superficies de asiento secas, limpias y libres de aceite o grasa.** Las empuñaduras y superficies de asiento resbalosas no permiten una manipulación segura ni el control de la herramienta en situaciones inesperadas.
9. **Cuando vaya a utilizar esta herramienta, evite usar guantes de trabajo de tela ya que éstos podrían atorarse.** Si los guantes de trabajo de tela llegaran a atorarse en las piezas móviles, esto podría ocasionar lesiones personales.

#### Servicio

1. **Haga que una persona calificada repare la herramienta utilizando sólo piezas de repuesto idénticas.** Esto garantizará que se mantenga la seguridad de la herramienta eléctrica.
2. **Siga las instrucciones para la lubricación y cambio de accesorios.**

Para reducir el riesgo de descarga eléctrica, este equipo cuenta con una clavija polarizada (una pata es más amplia o ancha que la otra). Esta clavija encajará perfectamente en una toma de corriente polarizada solamente de una manera. Si la clavija no encaja perfectamente en la toma de corriente, invierta la clavija. Si aun así no encaja, póngase en contacto con un electricista calificado para que le instale una toma de corriente apropiada. No modifique la clavija en ninguna forma.

**ADVERTENCIA SOBRE EL VOLTAJE:** Antes de conectar la herramienta a una fuente de alimentación (receptáculo, toma de corriente, etc.), asegúrese de que el voltaje suministrado sea igual al especificado en la placa de características de la herramienta. Una fuente de alimentación con un voltaje mayor al especificado para la herramienta podría ocasionar LESIONES GRAVES al usuario, así como daños a la herramienta. Si tiene dudas, NO CONECTE LA HERRAMIENTA. El utilizar una fuente de alimentación con un voltaje menor a la capacidad nominal indicada en la placa de características podría causar daños al motor.

**UTILICE CABLES DE EXTENSIÓN APROPIADOS.** Asegúrese de que su cable de extensión esté en buenas condiciones. Cuando utilice un cable de extensión, asegúrese de utilizar uno del calibre suficiente para conducir la corriente que demande el producto. Un cable de calibre inferior ocasionará una caída en la tensión de línea y a su vez una pérdida de potencia y sobrecalentamiento. La tabla 1 muestra la medida correcta a utilizar dependiendo de la longitud del cable y el amperaje nominal indicado en la placa de características. Si no está seguro, utilice el siguiente calibre más alto. Cuanto menor sea el número de calibre, más corriente podrá conducir el cable.

Tabla 1: Calibre mínimo para el cable

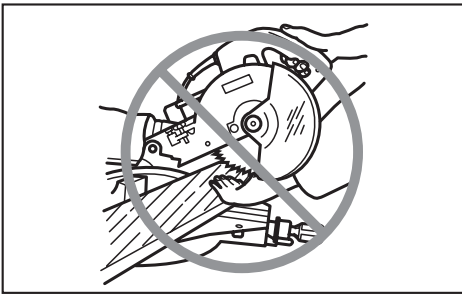
Amperaje nominal		Voltios	Longitud total del cable en metros			
			7 m (25 ft.)	15 m (50 ft.)	30 m (100 ft.)	45,7 m (150 ft.)
		120 V ~	7 m (25 ft.)	15 m (50 ft.)	30 m (100 ft.)	45,7 m (150 ft.)
		220 V ~ - 240 V ~	15 m (50 ft.)	30 m (100 ft.)	60,9 m (200 ft.)	91,4 m (300 ft.)
Más de	No más de	Calibre del cable (AWG)				
0 A	6 A	-	18	16	16	14
6 A	10 A		18	16	14	12
10 A	12 A		16	16	14	12
12 A	16 A		14	12	No se recomienda	

### Instrucciones de seguridad para sierras de inglete

1. **Las sierras de inglete están diseñadas para cortar madera o productos parecidos a la madera, éstas no pueden utilizarse con ruedas cortadoras abrasivas para cortar materiales ferrosos tales como barras, varillas, montantes, etc.** El polvo abrasivo causa que las piezas móviles, tal como el protector inferior, se atasquen. Las chispas del corte abrasivo quemarán el protector inferior, el inserto de corte y otras piezas de plástico.
2. **Siempre que sea posible, utilice abrazaderas para sujetar la pieza de trabajo.** Si utiliza su mano para sostener la pieza de trabajo, deberá siempre mantenerla a por lo menos 100 mm de distancia de ambos lados del disco de la sierra. No utilice esta sierra para cortar pedazos que sean demasiado pequeños para ser sujetados firmemente con abrazaderas o sostenidos con la mano. El colocar su mano demasiado cerca del disco de la sierra incrementará el riesgo de lesiones a causa del contacto con el disco.

3. **La pieza de trabajo deberá estar fija y firmemente sujeta o sostenida contra la guía y la mesa. No alimente la pieza de trabajo en el disco ni corte "a pulso" de ninguna manera.** Las piezas de trabajo que no estén sujetas o se muevan podrían salir disparadas a altas velocidades ocasionando lesiones.
4. **Empuje la sierra a través de la pieza de trabajo. No jale la sierra a través de la pieza de trabajo. Para realizar un corte, levante la cabeza de la sierra y júlela hacia afuera sobre la pieza de trabajo sin cortar, ponga en marcha el motor, presione hacia abajo la cabeza de la sierra y empuje la sierra a través de la pieza de trabajo.** El cortar durante el trayecto de jalado podría causar que el disco de la sierra saltara por encima de la pieza de trabajo y que el conjunto del disco saliera disparado violentamente hacia el operador.
5. **Nunca cruce su mano sobre la línea de corte prevista, ni por delante ni por detrás del disco de la sierra.** Nunca sujete la pieza de trabajo con "la mano cruzada", es decir, sosteniendo la pieza de trabajo a la derecha del disco de la sierra con su mano izquierda y viceversa, ya que podría resultar muy peligroso.





6. **No acerque las manos por detrás de la guía a más de 100 mm de distancia de ambos lados del disco de la sierra para extraer restos de madera ni por ninguna otra razón mientras el disco esté girando.** La proximidad entre el disco de la sierra que está girando y su mano podría no ser obvia y ocasionarle una lesión grave.
7. **Inspeccione su pieza de trabajo antes de cortar. Si la pieza de trabajo está doblada o torcida, sujétela con la parte arqueada exterior orientada hacia la guía. Asegúrese siempre de que no haya ningún espacio entre la pieza de trabajo, la guía y la mesa a lo largo de la línea de corte.** Las piezas de trabajo dobladas o torcidas podrían voltearse o desplazarse y causar que el disco de la sierra que está girando se atore mientras corta. En la pieza de trabajo no debe haber clavos ni objetos extraños.
8. **No utilice la sierra hasta que la mesa haya sido despejada y no haya ninguna herramienta, restos de madera, etc., salvo la pieza de trabajo.** Los residuos pequeños o trozos de madera sueltos u otros objetos que estén en contacto con el disco giratorio podrían salir disparados a alta velocidad.
9. **Sólo corte una pieza de trabajo a la vez.** El tener varias piezas de trabajo apiladas no permite sujetarlas o sostenerlas adecuadamente pudiendo ocasionar que se atoraran en el disco o se desplazaran durante el corte.
10. **Asegúrese de que la sierra de inglete esté instalada o colocada sobre una superficie de trabajo nivelada y firme antes de utilizarla.** Una superficie de trabajo nivelada y firme reduce el riesgo de que la sierra de inglete se vuelva inestable.
11. **Planifique su trabajo. Cada vez que cambie la posición del ángulo de bisel o de inglete, asegúrese de que la guía ajustable esté colocada correctamente para sostener la pieza de trabajo y que no obstaculice el disco o el sistema de protección.** Sin encender la herramienta y sin ninguna pieza de trabajo sobre la mesa, desplace el disco de la sierra simulando un corte completo para asegurarse de que no habrá ningún obstáculo ni peligro de cortar la guía.
12. **Proporcione un apoyo adecuado, tal como extensiones para la mesa, caballetes de aserrado, etc. para las piezas de trabajo más anchas o largas que la superficie de la mesa.** Las piezas de trabajo más largas o anchas que la mesa de la sierra de inglete pueden volcarse si no están bien apoyadas. Si la pieza de corte o la pieza de trabajo llegara a volcarse, ésta podría levantar el protector inferior o ser lanzada por el disco que está girando.
13. **No use a otra persona como sustituto de una extensión de la mesa o como apoyo adicional.** Un apoyo inestable para la pieza de trabajo podría causar que el disco se atascara o que la pieza de trabajo se desplazara durante la operación de corte jalándolo a usted y a su ayudante hacia el disco que está girando.
14. **La pieza de corte no debe atascarse ni ser presionada en ninguna forma contra el disco de la sierra que está girando.** Si el espacio es reducido, por ej., al usar topes de longitud, la pieza de corte podría quedar atrapada contra el disco y salir disparada violentamente.
15. **Utilice siempre una abrazadera o algún accesorio diseñado para apoyar adecuadamente materiales redondos tales como varillas o tubos.** Las varillas tienden a rodar mientras se cortan, causando que el disco se "enganche" y jale la pieza de trabajo y su mano hacia el mismo.
16. **Permita que el disco alcance su velocidad completa antes de que entre en contacto con la pieza de trabajo.** Esto reducirá el riesgo de que la pieza de trabajo salga disparada.
17. **Si la pieza de trabajo o el disco llega a atascarse, apague la sierra de inglete. Espere a que todas las piezas móviles se detengan y desconecte la clavija de la fuente de alimentación y/o retire la batería. Luego proceda a liberar el material atascado.** El continuar cortando con una pieza de trabajo atascada podría ocasionar la pérdida de control o causar daños a la sierra de inglete.
18. **Una vez completado el corte, suelte el interruptor, sujete la sierra con la cabeza hacia abajo y espere a que el disco se detenga antes de retirar la pieza de corte.** El acercar su mano al disco mientras éste sigue girando por inercia es peligroso.
19. **Sujete la empuñadura firmemente cuando realice un corte incompleto o cuando suelte el interruptor antes de haber colocado totalmente hacia abajo la cabeza de la sierra.** La acción de frenado de la sierra podría causar que la cabeza de la sierra sea repentinamente jalada hacia abajo pudiendo ocasionar una lesión.
20. **Use solamente un disco de la sierra cuyo diámetro esté marcado en la herramienta o especificado en el manual.** El uso de un disco de tamaño incorrecto puede afectar la protección adecuada del disco o la operación del protector y ocasionar lesiones personales graves.
21. **Utilice únicamente los discos de la sierra marcados con una velocidad igual o mayor a la velocidad marcada en la herramienta.**
22. **Seleccione siempre el disco de la sierra correcto para el material que va a cortar. No utilice el disco de la sierra para cortar otros materiales distintos a los especificados.**
23. **La sierra puede cortar madera, aluminio o materiales similares siempre que se utilice un disco de la sierra apropiado para el material. No utilice la sierra para cortar otros materiales incluido magnesio, acero y hierro.**

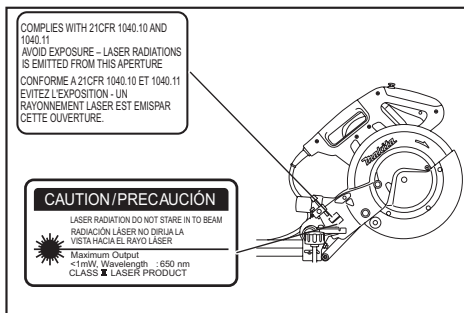
## Instrucciones adicionales

- 1. Uso pretendido**  
Esta herramienta está diseñada para realizar cortes rectos y en inglete de manera precisa sobre madera. Con los discos de la sierra apropiados también se puede cortar aluminio.
- 2. Mantenga el taller a prueba de niños usando candados.**
- 3. Nunca se pare sobre la herramienta.** El volcar la herramienta o tocar accidentalmente la herramienta de corte podría ocasionar lesiones graves.
- 4. Nunca deje la herramienta desatendida mientras esté en marcha.** Desconecte la alimentación. No deje la herramienta hasta que se haya detenido completamente.
- 5. No utilice la sierra sin los protectores puestos.** Verifique que el protector del disco cierre debidamente antes de cada uso. No utilice la sierra si el protector del disco no se mueve libremente y se cierra instantáneamente. No sujete ni ate el protector del disco en la posición abierta.
- 6. Mantenga las manos alejadas de la trayectoria del disco de la sierra.** Evite el contacto con cualquier disco que esté girando por inercia. Aún puede ocasionarle heridas graves.
- 7. Para reducir el riesgo de lesiones, vuelva a poner el carro en la posición completamente hacia atrás después de cada operación de corte transversal.**
- 8. Asegúrese siempre de que todas las partes móviles se encuentran fijas antes de transportar la herramienta.**
- 9. La clavija de retención que bloquea el cabezal de corte en posición hacia abajo es solamente para transportar y almacenar la herramienta y no para ninguna operación de corte.**
- 10. Inspeccione el disco cuidadosamente para ver si tiene grietas o daños antes de comenzar la operación.** Reemplace el disco inmediatamente si está agrietado o dañado. El pegamento y la resina de madera endurecidas en los discos frenan la sierra y aumentan las posibilidades de que se produzcan retrocesos bruscos. Mantenga el disco limpio desmontándolo primero de la herramienta, y limpiándolo después con un producto para quitar pegamento y resina, agua caliente o queroseno. Nunca utilice gasolina para limpiar el disco.
- 11. Al realizar un corte por deslizamiento, puede producirse un RETROCESO BRUSCO. Los RETROCESOS BRUSCOS ocurren cuando el disco se traba en la pieza de trabajo durante una operación de corte y es impulsado rápidamente hacia el operador. El resultado puede ser la pérdida de control y lesiones graves. Si el disco comienza a trabarse durante una operación de corte, no continúe cortando y suelte el interruptor inmediatamente.**
- 12. Utilice solamente las bridas especificadas para esta herramienta.**
- 13. Tenga cuidado de no dañar el eje, las bridas (especialmente la superficie de instalación) ni el perno. Los daños en estas piezas podrían provocar la ruptura del disco.**

- 14. Asegúrese de que la base giratoria esté debidamente asegurada de forma que no se mueva durante la operación.** Utilice los orificios de la base para sujetar la sierra a una plataforma o banco de trabajo estable. **NUNCA** utilice la herramienta donde la posición del operador vaya a resultar incómoda.
- 15. Asegúrese de que el bloqueo de eje esté suelto antes de activar el interruptor.**
- 16. Asegúrese de que el disco no esté en contacto con la base giratoria en la posición más baja.**
- 17. Sostenga firmemente la empuñadura.** Tenga en cuenta que la sierra se mueve levemente hacia arriba o hacia abajo al iniciar y al detener el funcionamiento.
- 18. Asegúrese de que el disco no esté haciendo contacto con la pieza de trabajo antes de activar el interruptor.**
- 19. Antes de utilizar la herramienta en una pieza de trabajo definitiva, déjela funcionar durante un rato.** Observe si hay vibración o bamboleo que pueda indicar una instalación incorrecta o un desequilibrio del disco.
- 20. Pare la operación inmediatamente si nota algo anormal.**
- 21. No intente bloquear el gatillo en la posición activada.**
- 22. Utilice los accesorios recomendados en este manual.** El uso de accesorios inapropiados tales como discos abrasivos podría ocasionar lesiones.
- 23. Algunos materiales contienen sustancias químicas que pueden ser tóxicas.** Tome precauciones para evitar la inhalación de polvo y el contacto con la piel. Consulte la hoja de seguridad de materiales del proveedor.



## Normas de seguridad adicionales para el láser

- 1. RADIACIÓN LÁSER - NO FIJE LA VISTA EN EL RAYO.**
- 2. EVITE LA EXPOSICIÓN - LA RADIACIÓN LÁSER ES EMITIDA DESDE LA ABERTURA.**
- 3. EL USO DE LOS CONTROLES O AJUSTES O LA REALIZACIÓN DE PROCEDIMIENTOS EN FORMA DISTINTA A LA ESPECIFICADA EN ESTE MANUAL PODRÍA PROVOCAR UNA EXPOSICIÓN PELIGROSA A LA RADIACIÓN.**



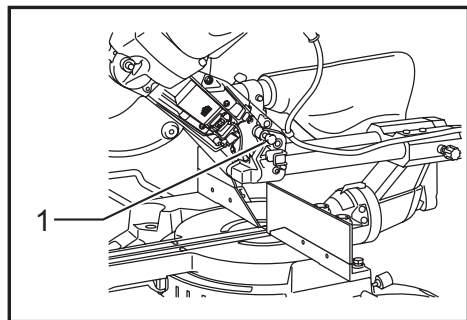
## Símbolos

A continuación se muestran los símbolos utilizados para la herramienta.

V	volts o voltios
A	amperes
Hz	hertz
$n_0$	velocidad sin carga
~	corriente alterna
	Construcción clase II
... /min r/min	revoluciones o alternaciones por minuto, frecuencia de rotación
	No coloque la mano ni los dedos cerca del disco.

## INSTALACIÓN

### Montaje en un banco de trabajo

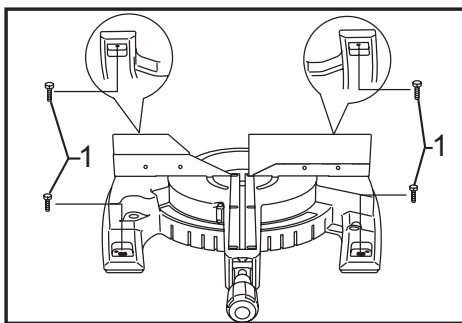


▶ 1. Clavija de retención

Cuando la herramienta es transportada, la empuñadura se bloquea en la posición inferior por la clavija de retención. Para liberar la clavija de retención, de forma simultánea aplique leve presión hacia abajo sobre la empuñadura y jale la clavija de retención.

#### ADVERTENCIA:

- **Asegúrese de que la herramienta no se moverá sobre la superficie de apoyo.** El movimiento de la sierra de inglete sobre la superficie de apoyo mientras se realiza un corte podría ocasionar pérdida del control causando graves lesiones personales.

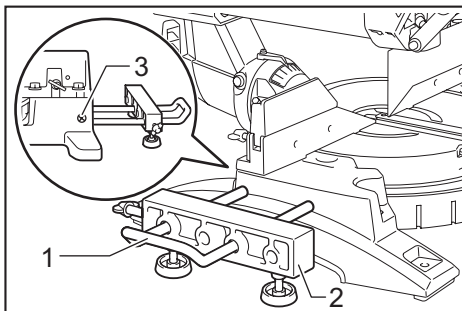


▶ 1. Pernos

Esta herramienta se deberá fijar con cuatro tornillos en una superficie nivelada y estable utilizando los agujeros para tornillos provistos en la base de la herramienta. Esto ayudará a evitar que se vuelque y pueda ocasionar heridas.

### Instalación de los soportes y de los montajes de sostén

**NOTA:** En algunos países, los soportes y los montajes de sostén pueden no venir incluidos junto con el paquete de la herramienta como un accesorio estándar.



▶ 1. Soporte 2. Montaje de sostén 3. Tornillo

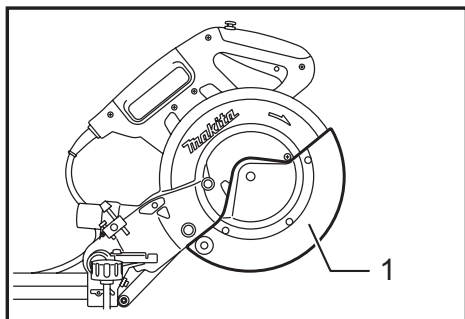
Los soportes y los montajes de sostén sostienen las piezas de trabajo de manera horizontal. Instale los soportes y los montajes de sostén en ambos lados, tal como se muestra en la figura. Luego apriete los tornillos firmemente para asegurar los soportes y los montajes de sostén.

# DESCRIPCIÓN DEL FUNCIONAMIENTO

## ⚠️ ADVERTENCIA:

- **Asegúrese siempre de que la herramienta esté apagada y desconectada antes de ajustar o comprobar cualquier función en la misma.** No seguir esta indicación de apagar y desconectar la herramienta puede causar graves lesiones personales debido al encendido accidental.

## Protección del disco



► 1. Protector de disco

Al bajar la empuñadura, el protector del disco se levanta automáticamente. El protector del disco regresa a su posición original cuando se termina de realizar el corte y la empuñadura es levantada.

## ⚠️ ADVERTENCIA:

- **Nunca inhabilite o quite el protector del disco, ni el resorte que lo fija.** Un disco expuesto como resultado de inhabilitar el protector puede causar graves lesiones personales durante la operación.

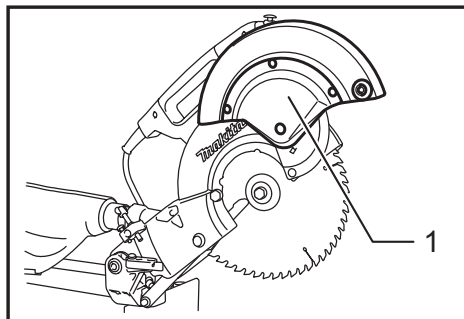
En el interés de su seguridad personal, mantenga siempre el protector del disco en buenas condiciones. Cualquier operación irregular del protector del disco deberá corregirse de inmediato. Asegúrese de comprobar la acción de regreso del protector mediante el resorte.

## ⚠️ ADVERTENCIA:

- **Nunca use la herramienta si el protector del disco o el resorte están dañados, defectuosos o ausentes.** La operación de la herramienta con algún daño, defecto o sin el protector puede causar graves lesiones personales.

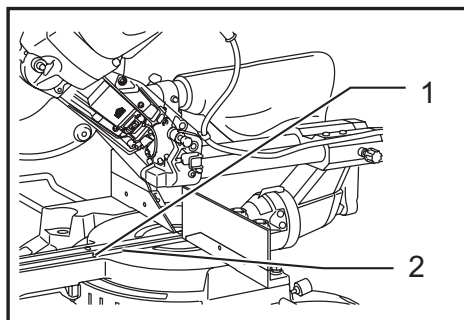
Si el protector transparente del disco se ensucia, o si el aserrín se adhiere causando que el disco y/o la pieza de trabajo no puedan verse fácilmente, desconecte la sierra y limpie el protector del disco con cuidado con un paño húmedo. No utilice disolventes ni limpiadores a base de petróleo sobre el protector de plástico debido a que esto lo podría dañar. Si el disco se ensucia y requiere limpiarse para un funcionamiento adecuado, siga las siguientes indicaciones:

Con la herramienta apagada y desconectada, use la llave de tubo incluida para aflojar el perno hexagonal que sujeta la cubierta central. Afloje el perno hexagonal girándolo en dirección contraria a las agujas del reloj y levante el protector del disco y cubierta central. Con el protector del disco en dicha posición, la limpieza del mismo puede realizarse más completa y eficientemente. Cuando haya terminado la limpieza, siga el procedimiento anterior a la inversa y apriete el perno. No quite el resorte que sujeta el protector del disco. Si el protector se daña con el transcurso del tiempo o por la exposición a la luz ultravioleta, póngase en contacto con un centro de servicio Makita para adquirir un repuesto nuevo. **NO INHABILITE NI RETIRE EL PROTECTOR.**

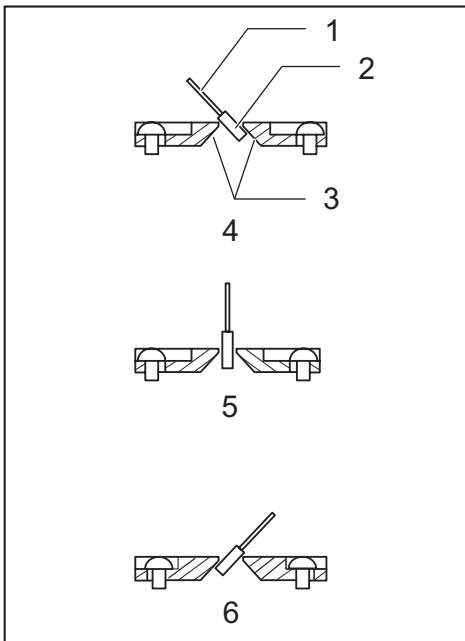


► 1. Protector de disco

## Posicionamiento del panel de corte



► 1. Tornillo 2. Panel de corte



- 1. Disco de sierra 2. Dientes del disco 3. Panel de corte 4. Corte en bisel izquierdo 5. Corte recto 6. Corte en bisel derecho

La base giratoria de esta herramienta viene provista con paneles de corte a fin de minimizar el desgaste en el lado de salida del corte. Estos paneles vienen ajustados de fábrica de manera que no hagan contacto con la hoja de la sierra. Antes de utilizar la herramienta, ajuste los paneles de corte de la siguiente manera: Primero, desconecte la herramienta. Afloje todos los tornillos (3 de cada lado a la derecha e izquierda) fijando los paneles de corte. Vuelva a apretarlos sólo hasta el punto en que los paneles de corte puedan aún moverse a mano con facilidad. Baje la empuñadura por completo y empuje la clavija de retención para bloquear la empuñadura en la posición baja. Afloje el tornillo que fijadores de los soportes de corredera. Jale el carro por completo hacia usted. Ajuste los paneles de corte de manera que éstos hagan contacto con los costados de los dientes del disco. Apriete los tornillos delanteros (no los apriete por completo). Empuje el carro hacia la línea de corte por completo y ajuste los paneles de corte de tal forma que éstos apenas hagan contacto con los costados de los dientes del disco. Apriete los tornillos traseros (no los apriete por completo). Una vez ajustados los paneles de corte, libere la clavija de retención y levante la empuñadura. Luego apriete todos los tornillos firmemente.

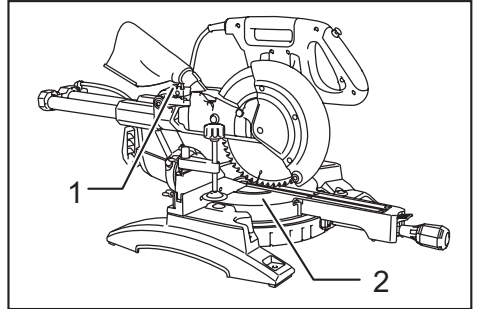
**AVISO:**

- **Tras ajustar el ángulo de bisel, asegure que los paneles de corte queden ajustados correctamente.** El ajuste correcto de los paneles de corte ayudará a ofrecer un apoyo adecuado de la pieza de trabajo minimizando su desplazamiento.

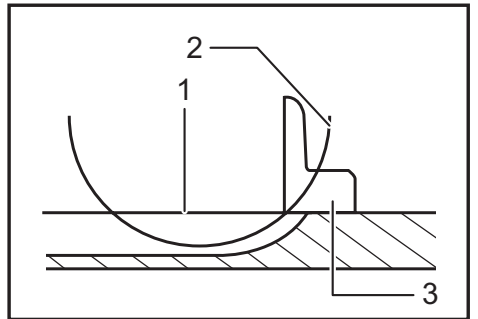
**Manteniendo la máxima capacidad de corte**

Esta herramienta está preajustada de fábrica para ofrecer una capacidad máxima de corte para un disco de sierra de 255 mm (10").

Desconecte la herramienta antes de intentar hacer cualquier ajuste. Al instalar un disco nuevo, revise siempre la posición del límite inferior del disco y, de ser necesario, haga el ajuste de acuerdo a como se indica a continuación:



- 1. Perno de ajuste 2. Base giratoria



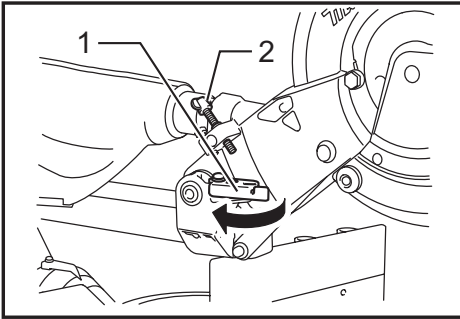
- 1. Parte superior de la base giratoria 2. Periferia del disco 3. Guía lateral

Primero, desconecte la herramienta. Empuje el carro hacia la línea de corte por completo y baje la empuñadura completamente. Use la llave hexagonal para girar el perno de ajuste hasta que el borde del disco se extienda levemente por debajo de la superficie superior de la base giratoria al punto donde la cara frontal de la guía confronte la superficie superior de la base giratoria. Con la herramienta desconectada haga rotar el disco manualmente manteniendo en todo momento la empuñadura baja, a fin de asegurarse que el disco no haga contacto con ninguna parte de la base inferior. Si es necesario, vuelva a ajustar levemente.

**⚠ ADVERTENCIA:**

- **Tras la colocación de un disco nuevo y con la herramienta desenchufada, asegúrese siempre de que el disco no haga contacto con ninguna pieza de la base inferior al bajar la empuñadura por completo.** Si un disco hace contacto con la base, puede que se produzca un retroceso brusco causando graves lesiones personales.

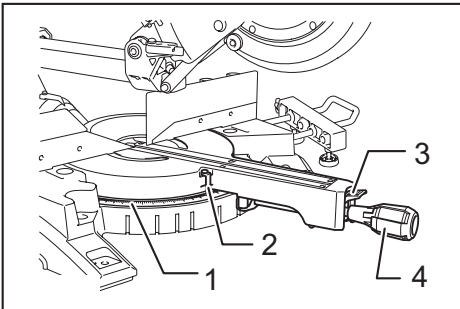
## Brazo de retención



► 1. Brazo de retención 2. Tornillo de ajuste

El límite inferior de la hoja puede ser fácilmente ajustado con el brazo de retención. Para hacerlo, mueva este brazo en la dirección que indica la flecha, tal como se muestra en la figura. Ajuste el tornillo de ajuste de manera que la hoja se detenga en la posición deseada al bajar por completo la empuñadura.

## Ajuste del ángulo inglete



► 1. Escala de inglete 2. Apuntador o puntero  
3. Palanca de bloqueo 4. Empuñadura

Afloje la empuñadura girándola en el sentido contrario a las agujas del reloj. Gire la base mientras baja la palanca de bloqueo. Una vez que haya movido la empuñadura hasta la posición en donde el marcador indica el ángulo deseado en la escala para inglete, ajuste bien dicha empuñadura en el sentido de las agujas del reloj.

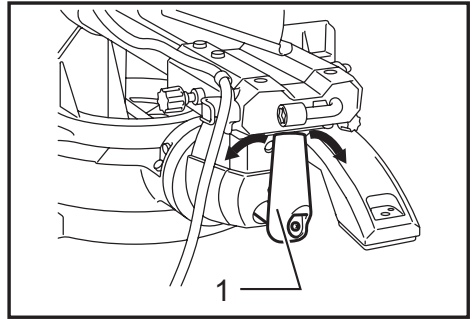
### **PRECAUCIÓN:**

- Luego de cambiar el ángulo de inglete, siempre asegure la base giratoria ajustando la empuñadura firmemente.

### **AVISO:**

- Al girar la base, asegúrese de subir completamente la empuñadura.

## Ajuste del ángulo bisel

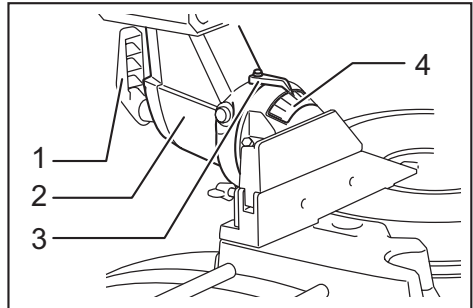


► 1. Palanca

Para ajustar el ángulo de bisel, afloje la palanca de la parte trasera de la herramienta en el sentido contrario a las agujas del reloj. Desbloquee el brazo empujando la empuñadura enérgicamente en la dirección que quiera inclinar el disco.

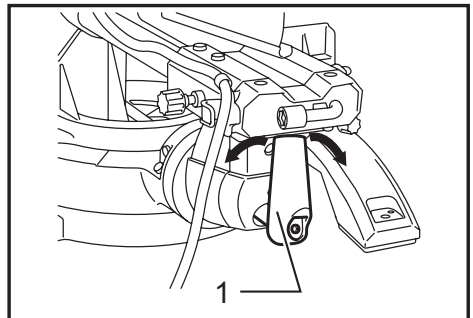
### **NOTA:**

- La palanca puede ser ajustada a un ángulo de palanca distinto al retirar el tornillo que sujeta la palanca y fijando la palanca en el ángulo deseado.



► 1. Palanca 2. Brazo 3. Apuntador o puntero  
4. Escala de bisel

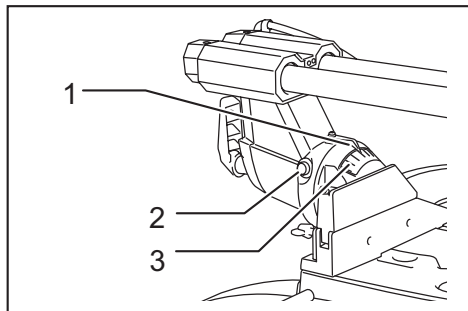
Incline el disco hasta que el puntero apunte hacia el ángulo deseado en la escala de bisel. Apriete la palanca en el sentido de las agujas del reloj firmemente para sujetar el brazo.



► 1. Palanca



Al inclinar el carro hacia la derecha, inclínelo levemente hacia la izquierda tras aflojar la palanca y presione el botón de liberación. Mientras mantiene el botón presionado, incline el carro hacia la derecha.



- 1. Apuntador o puntero 2. Botón de liberación  
3. Escala de bisel

Incline el disco hasta que el puntero apunte hacia el ángulo deseado en la escala de bisel. Apriete la palanca en el sentido de las agujas del reloj firmemente para sujetar el brazo.

- Cuando cambie los ángulos bisel, asegúrese de posicionar adecuadamente los paneles de corte, tal como se explica en la sección "Posicionamiento de paneles de corte".

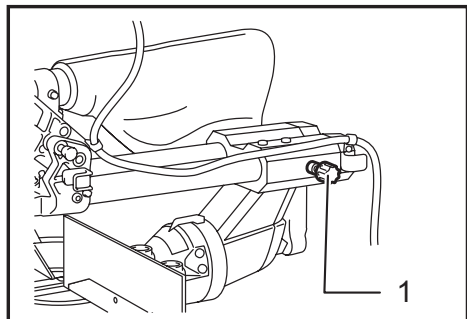
#### ⚠PRECAUCIÓN:

- Luego de cambiar el ángulo bisel, siempre asegure el brazo ajustando la palanca en el sentido de las agujas del reloj.

#### AVISO:

- Cuando ladee el disco de la sierra, asegúrese de que la empuñadura esté levantada completamente.
- Cuando cambie los ángulos bisel, asegúrese de posicionar adecuadamente los paneles de corte, tal como se explica en la sección "Posicionamiento de paneles de corte".

## Ajuste del soporte de corredera



- 1. Tornillo de sujeción

Para fijar el soporte de corredera, gire el tornillo de fijación en sentido de las agujas del reloj.

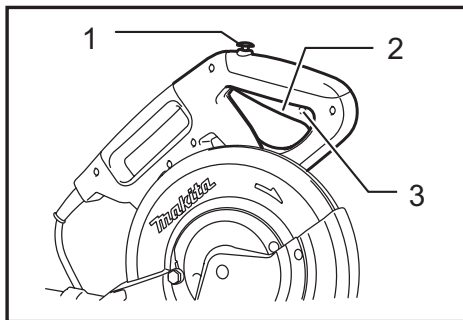
## Accionamiento del interruptor

Se proporciona un botón lock-off a fin de evitar que el gatillo interruptor sea accionado accidentalmente. Para encender la herramienta, presione este botón y accione el gatillo interruptor. Para detenerla, suelte el gatillo.

#### ⚠ADVERTENCIA:

- Antes de conectar la herramienta, siempre verifique que el gatillo interruptor funcione adecuadamente y que regrese a la posición de apagado ("OFF") al soltar el gatillo. No jale fuertemente el gatillo interruptor sin presionar el botón de desbloqueo. Esto podría dañar el interruptor. Usar una herramienta con un interruptor que no funciona adecuadamente puede ocasionar pérdida del control causando graves lesiones personales.

Se dispone de un orificio en el gatillo interruptor para la inserción de un candado para prevenir el encendido de la herramienta.



- 1. Botón lock-off (bloqueo desactivado) 2. Gatillo interruptor 3. Orificio para candado

#### ⚠ADVERTENCIA:

- No use un candado con un grosor menor de 6.35 mm (1/4") de diámetro. Un candado de un tamaño inadecuado, o el uso de un cable podría no bloquear la herramienta adecuadamente ocasionando un activación accidental que podría causar graves lesiones personales.
- **NUNCA use la herramienta sin un gatillo interruptor completamente funcional.** Cualquier herramienta con un gatillo disfuncional es ALTAMENTE PELIGROSA y deberá repararse antes de continuar su uso o puede causar graves lesiones personales.
- Por su seguridad, esta herramienta está equipada con un botón de desbloqueo para prevenir que la herramienta se active accidentalmente. NUNCA use la herramienta si se activa simplemente al jalar el gatillo sin que requiera presionar el botón desbloqueo. El uso de un interruptor que requiere reparación puede ocasionar una activación no intencional la cual puede causar graves lesiones personales. Regrese la herramienta al centro de servicio Makita para las reparaciones apropiadas ANTES de continuar su utilización.
- NUNCA inhabilite el botón de desbloqueo manteniéndolo presionado con cinta adhesiva o mediante otro método. El uso de un botón de desbloqueo inhabilitado puede ocasionar una activación no intencional la cual puede causar graves lesiones personales.



## Freno eléctrico

La herramienta está equipada con un freno para la rueda. Si la herramienta falla constantemente en detener el disco tras soltar el gatillo interruptor, lleve la herramienta a mantenimiento a un centro de servicio Makita.

### ⚠ PRECAUCIÓN:

- El sistema de frenado del disco no es un sustituto del protector del disco. Nunca use la herramienta sin un protector funcional del disco. El uso de un disco sin el protector puede ocasionar graves lesiones personales.

## Función electrónica

### Función de inicio suave

Esta función permite un inicio suave de la herramienta al limitar la fuerza de torsión inicial.

### Accionamiento del rayo láser

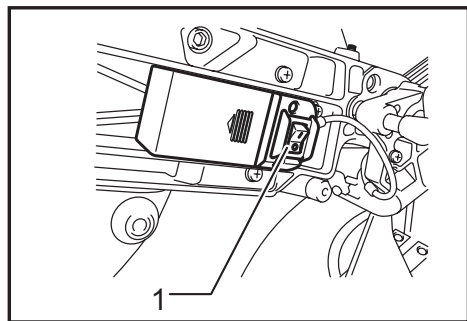
Sólo para el modelo LS1018L

#### NOTA:

- Antes de usar por vez primera, coloque dos pilas secas tamaño AA en el compartimento para las pilas. Consulte la sección titulada "Cambio de las pilas secas para la unidad láser" para la instalación.

### ⚠ PRECAUCIÓN:

- Asegúrese de apagar el láser cuando no esté usándose



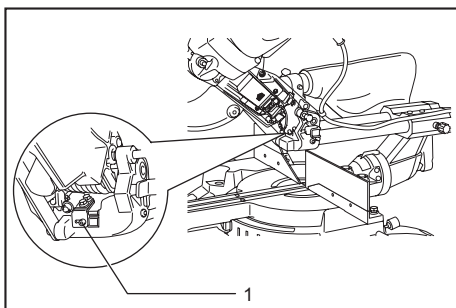
► 1. Interruptor para láser

### ⚠ PRECAUCIÓN:

- RADIACIÓN LÁSER  
No se quede mirando al rayo láser.
- Asegúrese de desenchufar la herramienta antes de cambiar la línea del láser o de realizar algún servicio de mantenimiento.

Para activar el rayo láser, presione la posición superior del interruptor (I). Para desactivar el rayo láser, presione la posición inferior del interruptor (O).

La línea del láser puede cambiarse ya sea hacia el costado derecho o izquierdo del disco de la sierra al aflojar el tornillo sujetador de la caja de la unidad del láser y cambiando hacia la dirección deseada. Tras hacer el cambio, asegúrese de apretar el tornillo.



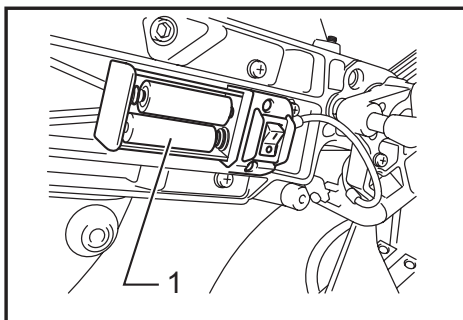
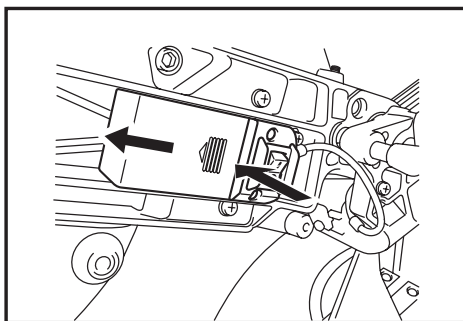
► 1. Tornillo sujetador de la caja de la unidad del láser

La línea láser se ajusta en fábrica de forma que está posicionada en 1 mm (0,04") desde la superficie lateral del disco (posición de corte).

#### NOTA:

- Cuando la línea del láser aparezca tenue y sea difícil de verse debido a la luz directa del sol, cambie el área de trabajo a un lugar donde haya menos exposición a la luz exterior.

### Cambio de las pilas secas para la unidad láser



► 1. Pila seca

Retire la tapa para las pilas secas de la unidad láser al deslizarla mientras la presiona. Saque las pilas secas viejas y coloque las nuevas como se muestra en la figura. Tras cambiar las pilas, vuelva a colocar la tapa.

## Limpeza de la lente de la luz láser

Si la lente de la luz láser se ensucia, o si se adhiere serrín a ella de tal forma que impida ver fácilmente la línea láser, desconecte la herramienta y quite y limpie la lente de la luz láser cuidadosamente con un paño suave humedecido. No utilice disolventes ni productos de limpieza a base de petróleo para limpiar la lente.

### NOTA:

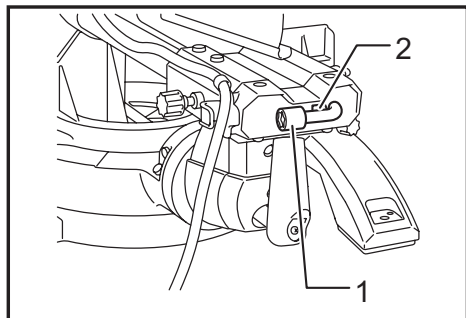
- Cuando la línea láser sea débil y casi o totalmente invisible debido a la luz solar directa en exteriores o en interiores cerca de una ventana donde se trabaja, reubique el área de trabajo a un lugar no expuesto a la luz solar directa.

## ENSAMBLE

### ⚠ADVERTENCIA:

- **Asegúrese siempre de que la herramienta esté apagada y desconectada antes de dar cualquier mantenimiento a la herramienta.** No seguir esta indicación de apagar y desconectar la herramienta puede causar graves lesiones personales.

## Almacenamiento de la llave de tubo con llave hexagonal en su otro extremo



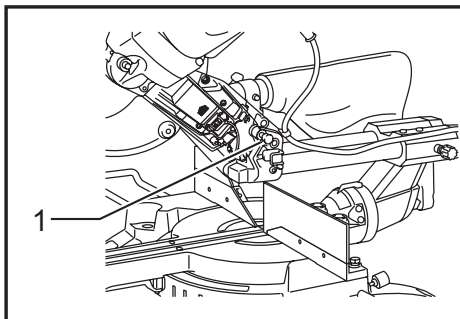
- 1. Llave de tubo con llave hexagonal en su otro extremo 2. Portallaves

La llave de tubo se encuentra guardada como se muestra en la figura. Cuando requiera usarla, ésta podrá extraerse de su sujetador. Después de su utilización, puede guardar la llave de tubo al colocarla de nuevo en su sujetador.

## Instalación o extracción de la cuchilla u hoja de sierra.

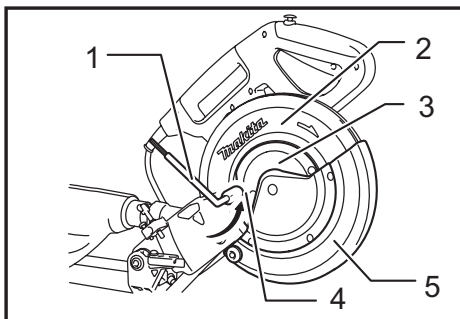
### ⚠ADVERTENCIA:

- **Asegúrese siempre de que la herramienta esté apagada y desenchufada antes de poner y quitar el disco.** El encendido accidental de la herramienta puede causar graves lesiones personales.
- **Use solamente la llave de tubo Makita proporcionada para quitar o poner el disco cortador.** No usar la llave proporcionada puede ocasionar un apretado excesivo o insuficiente del perno hexagonal, lo cual puede ocasionar graves lesiones personales.



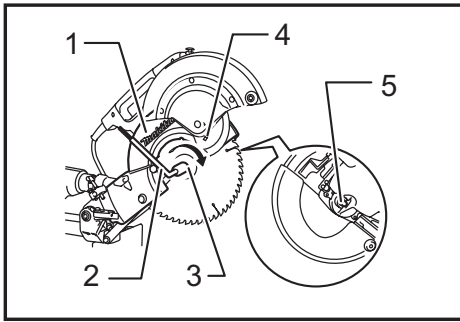
- 1. Clavija de retención

Trabe la empuñadura en la posición superior empujando la clavija de retención.



- 1. Llave de tubo 2. Caja del disco 3. Cubierta central 4. Tornillo hexagonal 5. Protector de disco

Para desmontar el disco, utilice la llave de tubo para aflojar el perno hexagonal que sujeta la cubierta central girándolo en el sentido contrario a las agujas del reloj. Suba el protector de disco y la cubierta central.



► 1. Caja del disco 2. Llave de cubo 3. Tornillo hexagonal 4. Flecha 5. Bloqueo del eje

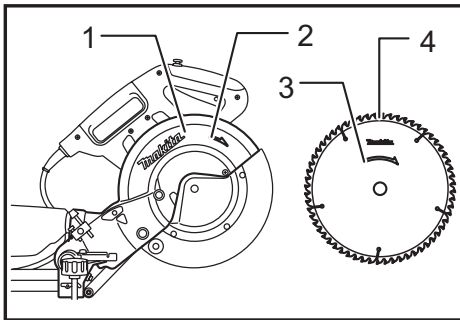
Presione el bloqueo del eje para bloquear el eje y utilice la llave de tubo para aflojar el perno hexagonal en el sentido de las agujas del reloj. Después quite el perno hexagonal, brida exterior y disco.

**NOTA:**

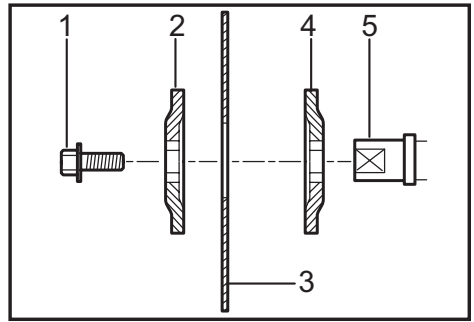
- Si la brida interior es extraída, asegúrese de colocarla sobre el eje con la protuberancia no orientada al disco. Si la brida se coloca incorrectamente, ésta rozará contra la máquina.

**⚠ ADVERTENCIA:**

- **Antes de la montura del disco en el eje, siempre asegúrese de que el aro correcto para el orificio del enrejado del disco que desea usar esté instalado entre las bridas interior y exterior.** El uso del orificio incorrecto del enrejado del disco ocasionará una montura incorrecta del disco, causando que éste se mueva y produzca vibración ocasionando posible pérdida del control durante la operación, causando graves lesiones personales.



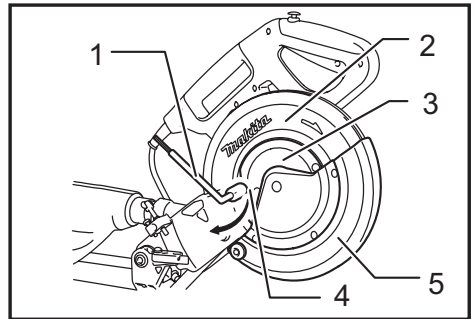
► 1. Caja del disco 2. Flecha 3. Flecha 4. Disco de sierra



► 1. Tornillo hexagonal 2. Brida exterior 3. Disco de sierra 4. Brida interior 5. Eje

Para instalar el disco, móntelo con cuidado en el eje, asegurándose de que la dirección de la flecha de la superficie del disco coincida con la dirección de la flecha de la caja del disco.

Instale la brida exterior y el perno de cabeza hexagonal, y después apriete el perno de cabeza hexagonal con la llave de tubo (rosca hacia la izquierda) firmemente girándolo en el sentido contrario a las agujas del eje a la vez que presiona el bloqueo del eje.

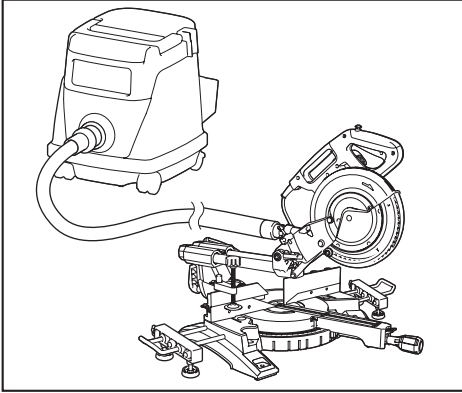


► 1. Llave de cubo 2. Caja del disco 3. Cubierta central 4. Tornillo hexagonal 5. Protector de disco

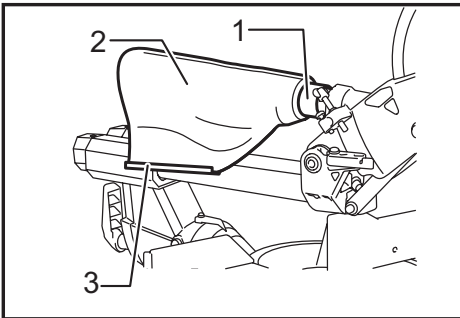
Retorne el protector del disco y la cubierta central a su posición original. Luego apriete el perno hexagonal en dirección a las agujas del reloj para fijar la cubierta central. Libere la empuñadura de la posición levantada al jalar la clavija de retención. Baje la empuñadura para asegurarse de que el protector del disco se mueva adecuadamente. Asegúrese de que el bloqueo del eje haya liberado el eje antes de hacer el corte.

## Conexión de una aspiradora

Cuando desee realizar una operación de corte limpia, conecte una aspiradora Makita.



## Bolsa recolectora de polvo



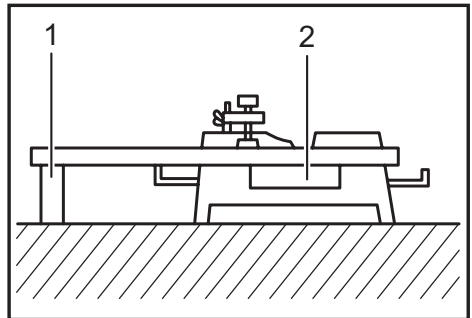
- 1. Boquilla para polvo 2. Bolsa para polvo  
3. Sujetador

El uso de la bolsa recolectora de polvo hace que las operaciones de corte sean más limpias, y facilita la recolección del polvo. Para adherir la bolsa recolectora de polvo, encájela en la boquilla para el polvo. Cuando la bolsa esté llena por la mitad, retírela y quite el sujetador. Vacíe el contenido de la bolsa dándole golpes suaves, a fin de eliminar las partículas adheridas que pudieran dificultar una recolección posterior.

## Aseguramiento de la pieza

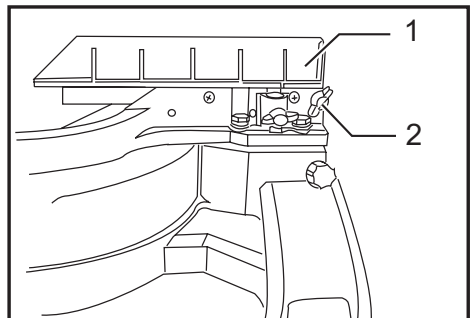
### ⚠ ADVERTENCIA:

- Es extremadamente importante siempre fijar la pieza de trabajo correctamente con el tipo apropiado de prensa o topes de moldura de corona. No hacer esto puede causar graves lesiones personales, así como en daños a la herramienta y/o pieza de trabajo.
- Tras una operación de corte, no levante el disco hasta que este se haya detenido por completo. Levantar el disco que aún se encuentra girando puede causar graves lesiones personales y daños a la pieza de trabajo.
- Al cortar una pieza de trabajo de un tamaño mayor que la base de la sierra, la pieza deberá apoyarse sobre toda su longitud más allá de la base de apoyo a la misma altura de ésta para mantener la pieza nivelada. Un apoyo adecuado ayudará a evitar que el disco se trabe ocasionando un posible retroceso brusco que podría causar graves lesiones personales. No dependa solamente de las prensas vertical y/u horizontal que fijan la pieza de trabajo. Las piezas delgadas tienden a pandearse. Apoye la pieza de trabajo sobre su longitud completa para evitar que el disco se trabe, así como un posible RETROCESO BRUSCO.



- 1. Apoyo 2. Base giratoria

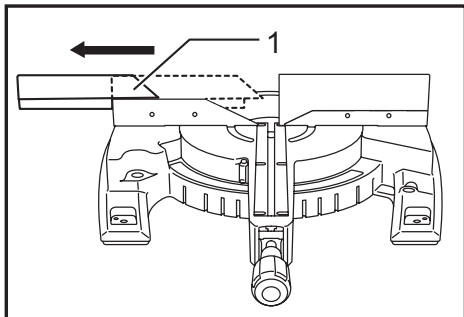
## Ajuste de la guía de corte (GUÍAS DESLIZABLES)



- 1. Guía de corte deslizante 2. Tornillo de fijación

### **⚠️ PRECAUCIÓN:**

- Antes de usar la herramienta, asegúrese de que las guías de corte estén fijadas con firmeza.
- **Antes de realizar el corte en bisel, asegúrese de que ninguna parte de la herramienta – en particular el disco – haga contacto con la guía deslizante cuando esté bajando y levantando la empuñadura por completo en cualquier posición y mientras mueve el carro en todo su rango de recorrido. Si el disco entra en contacto con la guía deslizante, esto puede provocar un retroceso brusco o un movimiento inesperado del material y ocasionar lesiones personales graves.**



► 1. Guía de corte deslizante

### **⚠️ PRECAUCIÓN:**

- Cuando realice cortes en bisel, deslice la guía deslizante hacia la izquierda y asegúrela como se muestra en la figura. De lo contrario, entrará en contacto con el disco o con una parte de la herramienta, con la posibilidad de ocasionar lesiones graves al operador.

Esta herramienta cuenta con una guía de corte deslizante la cual normalmente deberá colocarse como se muestra en la figura.

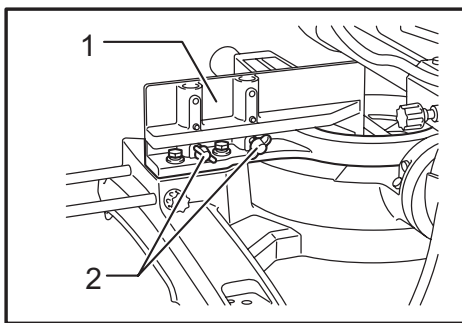
Sin embargo, al realizar cortes de bisel izquierdos, ajuste la guía de corte en la posición izquierda como se muestra en la figura en caso de que haga contacto con la cabeza de la herramienta.

Al terminar los cortes de bisel, no olvide regresar la guía deslizante a la posición original y fijarla con firmeza al apretar el tornillo fijador.

## **Guía auxiliar derecha**

### **⚠️ ADVERTENCIA:**

- Antes de usar la herramienta, asegúrese de que la guía de auxiliar derecha esté fijada con firmeza.
- Antes de realizar cortes de bisel, retire la guía auxiliar derecha, ya que esta tendría contacto con el disco o alguna parte de la herramienta, resultando en posibles lesiones graves al usuario.

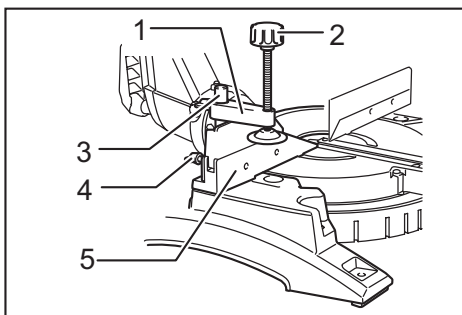


► 1. Guía auxiliar derecha 2. Tornillos

La guía auxiliar derecha puede quitarse del lado derecho de la guía de corte. Para quitar la guía auxiliar derecha, afloje los tornillos que la sujetan y jale para sacarla. Para volver a colocarla, siga el procedimiento inverso.

Al terminar las operaciones de corte de bisel, no olvide retornar la guía auxiliar derecha a la posición original y fijarla con firmeza al apretar el tornillo de sujeción.

## **Prensa vertical**



► 1. Brazo de la mordaza 2. Perilla de la mordaza  
3. Barra de la mordaza 4. Tornillo 5. Guía lateral

La prensa vertical puede instalarse ya sea sobre el costado izquierdo o derecho de la guía lateral. Inserte la varilla de la prensa en el orificio en la guía lateral y apriete el tornillo sobre la parte trasera de la guía de corte para asegurar la varilla de la prensa.

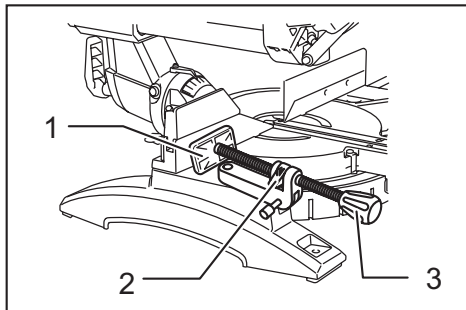
Posicione el brazo de la prensa según el grosor y la forma de la pieza y asegúrelo ajustando el tornillo. Si éste hace contacto con las guías laterales, colóquelo en el lado opuesto del brazo de la prensa. Asegúrese de que, al bajar la empuñadura por completo y jalar o empujar el carro en toda su extensión, ninguna parte de la herramienta haga contacto con la prensa. Si esto ocurriera, vuelva a posicionar la prensa.

Presione la pieza contra las guías laterales y la base giratoria. Coloque la pieza en la posición de corte deseada y asegúrela con firmeza ajustando la perilla de la mordaza.

### **⚠️ ADVERTENCIA:**

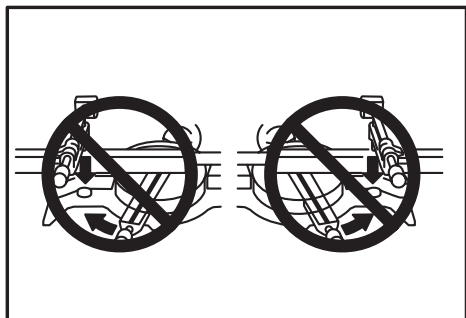
- **La pieza de trabajo deberá estar firmemente sujeta contra la base giratoria y la guía lateral con la prensa durante todas las operaciones.** Si la pieza de trabajo no se fija adecuadamente contra la guía de corte, puede que se desplace durante la operación de corte causando posibles daños al disco, provocando que la pieza sea arrojada y se pierda el control causando graves lesiones personales.

## **Prensa horizontal (accesorio opcional)**



- 1. Placa de la mordaza 2. Tuerca de la mordaza  
3. Perilla de la mordaza

La mordaza horizontal se puede instalar en dos posiciones tanto en el lado izquierdo como en el derecho de la base. Cuando quiera hacer cortes en inglete de más de 10°, instale la mordaza horizontal en el lado opuesto a la dirección en la que vaya a ser girada la base giratoria.



Al girar la tuerca de la prensa en sentido contrario a las agujas del reloj, la prensa es liberada y puede moverse rápidamente hacia adentro y hacia afuera. Para sujetar la pieza de trabajo, empuje la perilla de la prensa hacia adelante hasta que la placa de la prensa haga contacto con la pieza de trabajo y gire la tuerca de la prensa en dirección de las agujas del reloj. Luego gire la perilla de la prensa también en el mismo sentido para fijar la pieza de trabajo.

La anchura máxima de la pieza de trabajo que puede fijarse por la prensa horizontal es de 215 mm (8-1/2"). Cuando instale la mordaza horizontal en el lado derecho de la base, utilice también la guía auxiliar derecha para sujetar la pieza de trabajo más firmemente. Consulte la sección "Guía auxiliar derecha" descrita más atrás para instalar la guía auxiliar derecha.

### **⚠️ ADVERTENCIA:**

- **Siempre gire la tuerca de la prensa en sentido de la agujas del reloj para fijarla bien.** Si la pieza de trabajo no se fija adecuadamente, puede que se desplace durante la operación de corte causando posibles daños al disco, provocando que la pieza sea arrojada y se pierda el control causando graves lesiones personales.
- Al hacer cortes en piezas de trabajo delgadas contra las guías de corte, como se hace con los zócalos, use siempre la prensa horizontal.

## **OPERACIÓN**

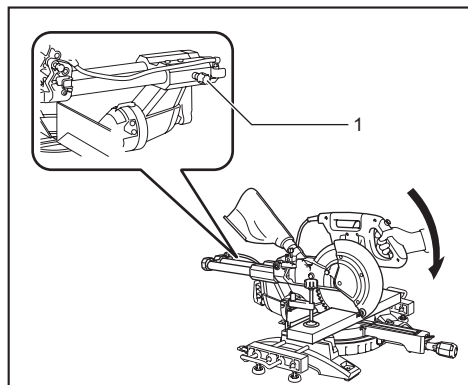
### **AVISO:**

- Antes de utilizar la herramienta, asegúrese de sacar la empuñadura de la posición inferior jalando la clavija de retención.
- No haga excesiva presión sobre la empuñadura mientras corta. Al hacerlo podría sobrecargar el motor y/o disminuir la eficacia del corte. La fuerza ejercida sobre la empuñadura debe ser sólo la necesaria para realizar un corte parejo sin disminuir de manera significativa la velocidad del disco.
- Presione suavemente la empuñadura para realizar el corte. Si lo hace con fuerza, o si aplica presión en los laterales, el disco vibrará y dejará una marca (marca de sierra) en la pieza, y la precisión del corte se verá perjudicada.
- Cuando realice un corte por deslizamiento, empuje suavemente el carro hacia las guías laterales sin detenerse. Si el carro se detiene durante el corte, quedará una marca en la pieza y la precisión de dicho corte se verá perjudicada.

### **⚠️ ADVERTENCIA:**

- **Asegúrese de que el disco no esté haciendo contacto con la pieza de trabajo u otro material antes de activar el interruptor.** Encender la herramienta mientras el disco está haciendo contacto con la pieza de trabajo puede ocasionar retrocesos bruscos y graves lesiones personales.

## 1. Corte con prensa (corte de piezas pequeñas)



► 1. Tornillo de sujeción

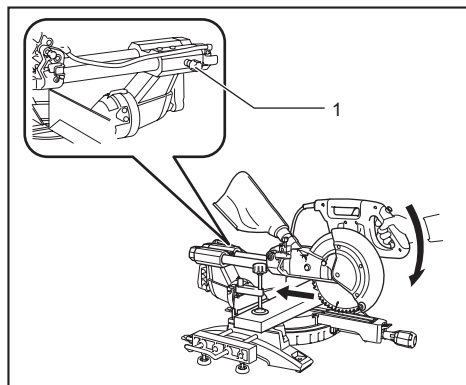
Las piezas de trabajo con dimensiones de hasta 91 mm (3-5/8") de alto y 70 mm (2-3/4") de ancho pueden cortarse de la siguiente manera.

Empuje el carro completamente hacia la guía de corte y apriete el tornillo de sujeción en dirección de las agujas del reloj para fijar el carro. Fije la pieza de trabajo correctamente con el tipo de prensa adecuado. Encienda la herramienta sin que el disco haga contacto alguno y espere a que éste adquiera velocidad completa antes de bajar la empuñadura. Luego baje lentamente la empuñadura a la posición completamente abajo para realizar el corte en la pieza de trabajo. Cuando se haya finalizado el corte, apague la herramienta Y ESPERE HASTA QUE EL DISCO SE HAYA DETENIDO POR COMPLETO antes de retornar el disco a una posición totalmente elevada.

### ⚠ ADVERTENCIA:

- **Apriete con firmeza la perilla girando en sentido de las agujas del reloj de tal forma que el carro no se pueda mover durante la operación.** Un apretado insuficiente de la perilla puede que cause retrocesos bruscos que resulten en graves lesiones personales.

## 2. Corte por deslizamiento (empuje) (corte de piezas anchas)



► 1. Tornillo de sujeción

Afloje el tornillo de sujeción girando en sentido contrario a las agujas del reloj para poder deslizar el carro libremente. Fije la pieza de trabajo con el tipo de prensa adecuado. Jale el carro por completo hacia usted. Encienda la herramienta sin que el disco haga contacto alguno y espere a que éste adquiera velocidad completa. Presione hacia abajo la empuñadura y EMPUJE EL CARRO HACIA LA LÍNEA (GUÍA) DE CORTE Y A TRAVÉS DE LA PIEZA DE TRABAJO. Cuando se haya finalizado el corte, apague la herramienta Y ESPERE HASTA QUE EL DISCO SE HAYA DETENIDO POR COMPLETO antes de retornar el disco a una posición totalmente elevada.

### ⚠ ADVERTENCIA:

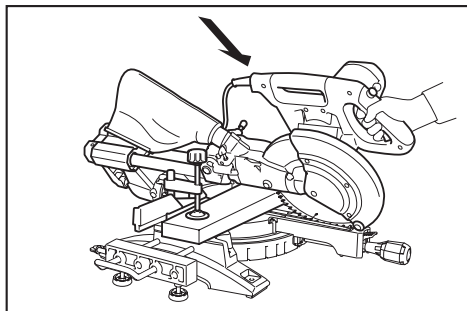
- **Siempre que realice un corte por deslizamiento, jale primero el carro por completo hacia usted y presione la empuñadura completamente hacia abajo, y luego empuje el carro hacia la guía de corte. Nunca inicie el corte con el carro sin haberlo jalado completamente hacia usted.** Si realiza cortes por deslizamiento sin haber jalado el carro completamente hacia usted, puede que se generen retrocesos bruscos causando graves lesiones personales.
- **Nunca intente realizar un corte por deslizamiento mientras jala el carro hacia usted.** Jalar el carro hacia usted mientras se realiza un corte puede ocasionar retrocesos bruscos causando graves lesiones personales.
- Nunca realice cortes por deslizamiento con la empuñadura bloqueada en la posición hacia abajo.
- **Nunca afloje el tornillo de sujeción que fija el carro mientras el disco de corte esté girando.** Un carro que se encuentre aflojado mientras se realiza un corte puede que genere retrocesos bruscos resultando en graves lesiones personales.



### 3. Corte en inglete

Consulte la sección "Ajuste de ángulo inglete" descrita anteriormente.

### 4. Corte en bisel



Afloje la palanca e incline la hoja para fijar el ángulo de inglete (consulte la sección "Ajuste de ángulo bisel" descrita anteriormente). Asegúrese de volver a ajustar con firmeza la palanca para fijar bien el ángulo bisel seleccionado. Asegure la pieza con una prensa. Asegúrese de que el carro esté completamente deslizado en dirección al operador de la herramienta. Encienda la herramienta sin que el disco haga contacto alguno y espere hasta que ésta alcance la velocidad máxima. Luego baje suavemente la empuñadura hasta la posición máxima inferior mientras aplica presión paralelamente al disco y EMPUJA EL CARRO HACIA LAS GUÍAS LATERALES PARA CORTAR LA PIEZA. Cuando haya terminado el corte, apague la herramienta y ESPERE HASTA QUE EL DISCO SE HAYA DETENIDO POR COMPLETO antes de regresarlo a la posición máxima superior.

#### **⚠️ ADVERTENCIA:**

- **Tras ajustar el disco para un corte de bisel, antes de usar la herramienta asegúrese de que el carro y el disco puedan desplazarse libremente a través del rango completo del corte que se pretende realizar.** La interrupción del trayecto del carro o disco durante la operación de corte puede ocasionar retrocesos bruscos causando lesiones graves personales.
- **Mientras realiza cortes de bisel, mantenga las manos fuera de la ruta del disco.** El ángulo del disco puede que confunda al operador respecto a la ruta actual del disco mientras se realiza el corte haciendo que tenga contacto con el disco lo cual causará graves lesiones personales.
- **El disco no deberá levantarse hasta que se haya detenido por completo.** Puede que el fragmento cortado de una pieza de trabajo durante un corte de bisel quede contra reposada el disco. Si el disco se eleva mientras está girando, el fragmento cortado quizás salga proyectado por el disco causando que se fragmente u ocasione graves lesiones personales.

#### **AVISO:**

- Al presionar la empuñadura hacia abajo, hágalo paralelamente con el disco. Si se aplica fuerza de manera perpendicular a la base giratoria o si la dirección de la presión es modificada durante el corte, la precisión del corte se verá afectada.
- Antes de hacer cortes de bisel, puede que se requiera hacer un ajuste en la guía deslizable. Refiérase a la sección titulada "Ajuste de la guía de corte".

#### **⚠️ PRECAUCIÓN:**

- Deslice o extraiga siempre la guía auxiliar derecha de tal forma que no interfiera con ninguna parte del carro al estar realizando cortes de bisel derechos.

### 5. Corte combinado

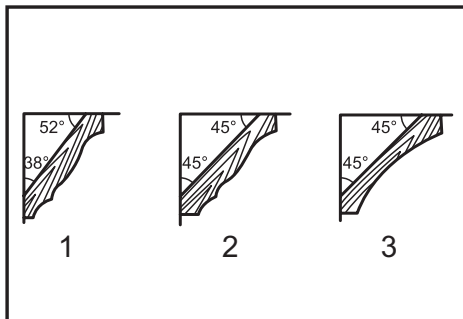
El corte compuesto es un proceso en el que el ángulo de bisel se hace al mismo tiempo en el que el ángulo de inglete está siendo cortado en la pieza de trabajo. El corte compuesto puede realizarse en el ángulo que se muestra en la tabla.

Ángulo de inglete	Ángulo de bisel
Izquierda y Derecha 0°–45°	Izquierda y Derecha 0°–45°

Cuando realice un corte combinado, consulte las explicaciones de "Corte con prensa", "Corte por deslizamiento", "Corte en inglete" y "Corte en bisel".

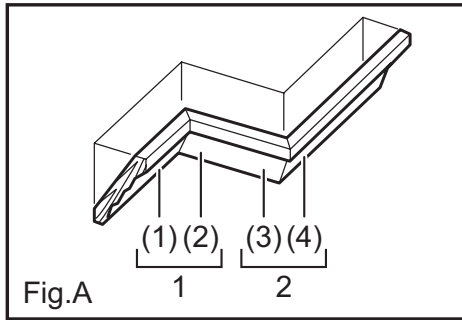
### 6. Corte de molduras crown o corona (de canto liso) y cove cóncavo (de canto ondulado)

Las molduras corona y cóncavas pueden ser cortadas con una sierra ingleteadora combinada, colocando las molduras sobre la base giratoria. Existen dos tipos comunes de molduras corona y un tipo de moldura cóncava; moldura corona de ángulo de pared de 52/38°, moldura corona de ángulo de pared de 45° y moldura cóncava de ángulo de pared de 45°. Ver las ilustraciones.

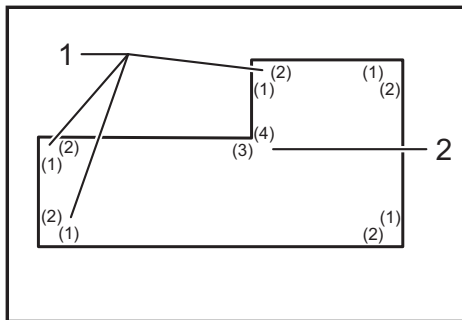


▶ 1. Moldura corona tipo 52/38° 2. Moldura corona tipo 45° 3. Moldura cóncava tipo 45°

Existen juntas de molduras corona y molduras cóncavas que se realizan para ser insertadas en rincones "Internos" de 90° ((1) y (2) en Fig. A) y rincones "Externos" de 90° ((3) y (4) en Fig. A).



1. Esquina interior 2. Esquina exterior



► 1. Esquina interior 2. Esquina exterior

### Medición

Medir el largo de la pared y ajustar la pieza sobre la mesa para cortar el borde de contacto de la pared del largo deseado. Siempre asegúrese de que el largo de la pieza cortada **en la parte posterior de la pieza** sea igual al largo de la pared. Ajuste el largo del corte según el ángulo de corte. Siempre haga pruebas de corte con varias piezas a fin de verificar los ángulos de la sierra. Cuando corte molduras corona y cóncava, fije el ángulo bisel y el ángulo inglete tal como se indica en la tabla (A), y posicione las molduras en la parte superior de la base de la sierra tal como se indica en la tabla (B).

### En caso de corte bisel izquierdo

Tabla (A)

	Posición de moldura en Fig. A	Ángulo de bisel		Ángulo de inglete	
		tipo 52/38°	tipo 45°	tipo 52/38°	tipo 45°
Para esquina interior	(1)	Izquierda 33,9°	Izquierdo 30°	Derecha 31,6°	Derecho 35,3°
	(2)			Izquierdo 31,6°	Izquierdo 35,3°
Para esquina exterior	(3)			Derecha 31,6°	Derecho 35,3°
	(4)				

Tabla (B)

	Posición de moldura en Fig. A	Borde de moldura contra la guía lateral	Pieza terminada
Para esquina interior	(1)	El borde de contacto con el techo debe estar contra la guía lateral.	La pieza terminada estará en el lado izquierdo del disco.
	(2)	El borde de contacto con la pared debe estar contra la guía lateral.	
Para esquina exterior	(3)	El borde de contacto con el techo debe estar contra la guía lateral.	La pieza terminada estará en el lado derecho del disco.
	(4)		

**EJEMPLO** En caso de cortar una moldura tipo corona de 52/38° para la posición (1) en la Fig. A:

- Inclíne y asegure la posición del ángulo bisel a 33,9° a la **IZQUIERDA**.
- Ajuste y asegure la posición del ángulo inglete a 31,6° a la **DERECHA**.
- Coloque la moldura corona con la superficie ancha de la parte trasera (oculta) sobre la base giratoria con el **BORDE DE CONTACTO CON EL TECHO** apoyado sobre las guías laterales de la sierra.
- La pieza terminada a ser utilizada siempre debe estar del lado **IZQUIERDO** del disco luego de terminado el corte.

### En caso de corte bisel derecha

Tabla (A)

	Posición de moldura en Fig. A	Ángulo de bisel		Ángulo de inglete	
		tipo 52/38°	tipo 45°	tipo 52/38°	tipo 45°
Para esquina interior	(1)	Derecho 33,9°	Derecho 30°	Derecha 31,6°	Derecho 35,3°
	(2)			Izquierdo 31,6°	Izquierdo 35,3°
Para esquina exterior	(3)			Derecha 31,6°	Derecho 35,3°
	(4)				

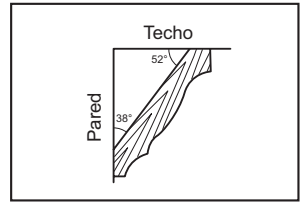
Tabla (B)

	Posición de moldura en Fig. A	Borde de moldura contra la guía lateral	Pieza terminada
Para esquina interior	(1)	El borde de contacto con la pared debe estar contra la guía lateral.	La pieza terminada estará en el lado derecho del disco.
	(2)	El borde de contacto con el techo debe estar contra la guía lateral.	
Para esquina exterior	(3)	El borde de contacto con la pared debe estar contra la guía lateral.	La pieza terminada estará en el lado izquierdo del disco.
	(4)		

**EJEMPLO** En caso de cortar una moldura tipo corona de 52/38° para la posición (1) en la Fig. A:

- Inclíne y asegure la posición del ángulo bisel a 33,9° a la **DERECHA**.
- Ajuste y asegure la posición del ángulo inglete a 31,6° a la **DERECHA**.
- Coloque la moldura corona con la superficie ancha de la parte trasera (oculta) sobre la base giratoria con el **BORDE DE CONTACTO CON LA PARED** apoyado sobre las guías laterales de la sierra.
- La pieza terminada a ser utilizada siempre debe estar del lado **DERECHO** del disco luego de terminado el corte.

Sierra de Inglete  
Ajustes de ángulo del inglete y del bisel



000031

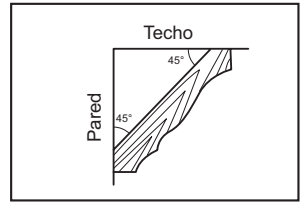
Ángulo de moldura ente la pared y la corona: 52/38 grados

Ángulo de pared (grado)	Ángulo de bisel (grado)	Ángulo de inglete (grado)
60°	43,0°	46,8°
61°	42,8°	46,3°
62°	42,5°	45,7°
63°	42,2°	45,1°
64°	41,9°	44,6°
65°	41,7°	44,0°
66°	41,4°	43,5°
67°	41,1°	42,9°
68°	40,8°	42,4°
69°	40,5°	41,9°
70°	40,2°	41,3°
71°	39,9°	40,8°
72°	39,6°	40,3°
73°	39,3°	39,8°
74°	39,0°	39,2°
75°	38,7°	38,7°
76°	38,4°	38,2°
77°	38,1°	37,7°
78°	37,8°	37,2°
79°	37,4°	36,8°
80°	37,1°	36,3°
81°	36,8°	35,8°
82°	36,5°	35,3°
83°	36,2°	34,8°
84°	35,8°	34,4°
85°	35,5°	33,9°
86°	35,2°	33,4°
87°	34,9°	33,0°
88°	34,5°	32,5°
89°	34,2°	32,1°
90°	33,9°	31,6°
91°	33,5°	31,2°
92°	33,2°	30,7°
93°	32,8°	30,3°
94°	32,5°	29,9°
95°	32,2°	29,4°
96°	31,8°	29,0°
97°	31,5°	28,6°
98°	31,1°	28,2°
99°	30,8°	27,7°
100°	30,4°	27,3°

Ángulo de pared (grado)	Ángulo de bisel (grado)	Ángulo de inglete (grado)
101°	30,1°	26,9°
102°	29,7°	26,5°
103°	29,4°	26,1°
104°	29,0°	25,7°
105°	28,7°	25,3°
106°	28,3°	24,9°
107°	28,0°	24,5°
108°	27,6°	24,1°
109°	27,2°	23,7°
110°	26,9°	23,3°
111°	26,5°	22,9°
112°	26,1°	22,6°
113°	25,8°	22,2°
114°	25,4°	21,8°
115°	25,0°	21,4°
116°	24,7°	21,0°
117°	24,3°	20,7°
118°	23,9°	20,3°
119°	23,6°	19,9°
120°	23,2°	19,6°
121°	22,8°	19,2°
122°	22,5°	18,8°
123°	22,1°	18,5°
124°	21,7°	18,1°
125°	21,3°	17,8°
126°	21,0°	17,4°
127°	20,6°	17,1°
128°	20,2°	16,7°
129°	19,8°	16,4°
130°	19,5°	16,0°
131°	19,1°	15,7°
132°	18,7°	15,3°
133°	18,3°	15,0°
134°	17,9°	14,6°
135°	17,6°	14,3°
136°	17,2°	14,0°
137°	16,8°	13,6°
138°	16,4°	13,3°
139°	16,0°	13,0°
140°	15,6°	12,8°

Ángulo de pared (grado)	Ángulo de bisel (grado)	Ángulo de inglete (grado)
141°	15,3°	12,3°
142°	14,9°	12,0°
143°	14,5°	11,6°
144°	14,1°	11,3°
145°	13,7°	11,0°
146°	13,3°	10,7°
147°	12,9°	10,3°
148°	12,5°	10,0°
149°	12,2°	9,7°
150°	11,8°	9,4°
151°	11,4°	9,0°
152°	11,0°	8,7°
153°	10,8°	8,4°
154°	10,2°	8,1°
155°	9,8°	7,8°
156°	9,4°	7,5°
157°	9,0°	7,1°
158°	8,6°	6,8°
159°	8,3°	6,5°
160°	7,9°	6,2°
161°	7,5°	5,9°
162°	7,1°	5,6°
163°	6,7°	5,3°
164°	6,3°	4,9°
165°	5,9°	4,6°
166°	5,5°	4,3°
167°	5,1°	4,0°
168°	4,7°	3,7°
169°	4,3°	3,4°
170°	3,9°	3,1°
171°	3,5°	2,8°
172°	3,2°	2,5°
173°	2,8°	2,2°
174°	2,4°	1,8°
175°	2,0°	1,5°
176°	1,6°	1,2°
177°	1,2°	0,9°
178°	0,8°	0,6°
179°	0,4°	0,3°
180°	0,0°	0,0°

Sierra de Inglete  
Ajustes de ángulo del inglete y del bisel



000032

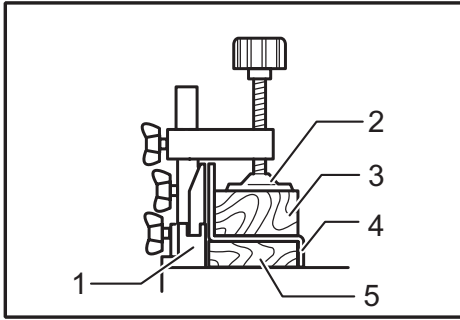
Ángulo de moldura ente la pared y la corona: 45 grados

Ángulo de pared (grado)	Ángulo de bisel (grado)	Ángulo de inglete (grado)
60°	37,8°	50,8°
61°	37,5°	50,2°
62°	37,3°	49,6°
63°	37,1°	49,1°
64°	36,8°	48,5°
65°	36,6°	48,0°
66°	36,4°	47,4°
67°	36,1°	46,9°
68°	35,9°	46,4°
69°	35,6°	45,8°
70°	35,4°	45,3°
71°	35,1°	44,8°
72°	34,9°	44,2°
73°	34,6°	43,7°
74°	34,4°	43,2°
75°	34,1°	42,7°
76°	33,9°	42,1°
77°	33,6°	41,6°
78°	33,3°	41,1°
79°	33,1°	40,6°
80°	32,8°	40,1°
81°	32,5°	39,6°
82°	32,3°	39,1°
83°	32,0°	38,6°
84°	31,7°	38,1°
85°	31,4°	37,7°
86°	31,1°	37,2°
87°	30,9°	36,7°
88°	30,6°	36,2°
89°	30,3°	35,7°
90°	30,0°	35,3°
91°	29,7°	34,8°
92°	29,4°	34,3°
93°	29,1°	33,9°
94°	28,8°	33,4°
95°	28,5°	32,9°
96°	28,2°	32,5°
97°	27,9°	32,0°
98°	27,6°	31,6°
99°	27,3°	31,1°
100°	27,0°	30,7°

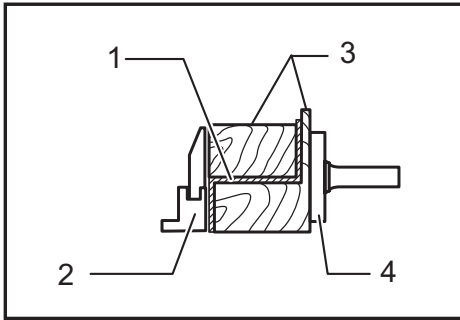
Ángulo de pared (grado)	Ángulo de bisel (grado)	Ángulo de inglete (grado)
101°	26,7°	30,2°
102°	26,4°	29,8°
103°	26,1°	29,4°
104°	25,8°	28,9°
105°	25,5°	28,5°
106°	25,2°	28,1°
107°	24,9°	27,6°
108°	24,6°	27,2°
109°	24,2°	26,8°
110°	23,9°	26,3°
111°	23,6°	25,9°
112°	23,3°	25,5°
113°	23,0°	25,1°
114°	22,7°	24,7°
115°	22,3°	24,3°
116°	22,0°	23,8°
117°	21,7°	23,4°
118°	21,4°	23,0°
119°	21,0°	22,6°
120°	20,7°	22,2°
121°	20,4°	21,8°
122°	20,0°	21,4°
123°	19,7°	21,0°
124°	19,4°	20,6°
125°	19,1°	20,2°
126°	18,7°	19,8°
127°	18,4°	19,4°
128°	18,1°	19,0°
129°	17,7°	18,6°
130°	17,4°	18,2°
131°	17,1°	17,9°
132°	16,7°	17,5°
133°	16,4°	17,1°
134°	16,0°	16,7°
135°	15,7°	16,3°
136°	15,4°	15,9°
137°	15,0°	15,6°
138°	14,7°	15,2°
139°	14,3°	14,8°
140°	14,0°	14,4°

Ángulo de pared (grado)	Ángulo de bisel (grado)	Ángulo de inglete (grado)
141°	13,7°	14,1°
142°	13,3°	13,7°
143°	13,0°	13,3°
144°	12,6°	12,9°
145°	12,3°	12,6°
146°	11,9°	12,2°
147°	11,6°	11,8°
148°	11,2°	11,5°
149°	10,9°	11,1°
150°	10,5°	10,7°
151°	10,2°	10,4°
152°	9,8°	10,0°
153°	9,5°	9,6°
154°	9,2°	9,3°
155°	8,8°	8,9°
156°	8,5°	8,5°
157°	8,1°	8,2°
158°	7,8°	7,8°
159°	7,4°	7,5°
160°	7,1°	7,1°
161°	6,7°	6,7°
162°	6,4°	6,4°
163°	6,0°	6,0°
164°	5,6°	5,7°
165°	5,3°	5,3°
166°	4,9°	5,0°
167°	4,6°	4,6°
168°	4,2°	4,3°
169°	3,9°	3,9°
170°	3,5°	3,5°
171°	3,2°	3,2°
172°	2,8°	2,8°
173°	2,5°	2,5°
174°	2,1°	2,1°
175°	1,8°	1,8°
176°	1,4°	1,4°
177°	1,1°	1,1°
178°	0,7°	0,7°
179°	0,4°	0,4°
180°	0,0°	0,0°

## 7. Corte de extrusión de aluminio



- 1. Guía lateral 2. Mordaza 3. Bloque espaciador  
4. Extrusión de aluminio 5. Bloque espaciador



- 1. Extrusión de aluminio 2. Guía lateral 3. Bloque espaciador 4. Mordaza horizontal (accesorio opcional)

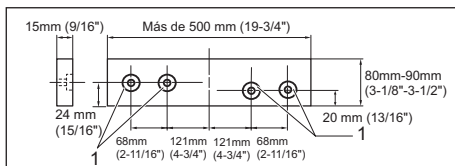
Cuando asegure las extrusiones de aluminio, utilice espaciadores o fragmentos de desechos tal como se muestra en la figura, a fin de evitar que se deforme el aluminio. Utilice un lubricante cuando corte la extrusión para evitar la acumulación de aluminio sobre el disco.

### ⚠ ADVERTENCIA:

- **Nunca intente cortar extrusiones gruesas o de aluminio redondeado.** Las extrusiones gruesas o de aluminio redondeado pueden ser difíciles de fijar y puede que queden flojas durante las operaciones de corte lo cual puede que resulte en pérdida del control causando graves lesiones personales.

## 8. Revestimiento de madera

El uso de revestimientos de madera ayuda a realizar el corte de la pieza libre de astillas. Acople un revestimiento de madera a las guías laterales utilizando los agujeros de dichas guías. Observe la figura donde se muestran las dimensiones para el revestimiento de madera sugerido.



1. Orificio

### ⚠ PRECAUCIÓN:

- Utilice madera recta de grosor parejo como revestimiento.

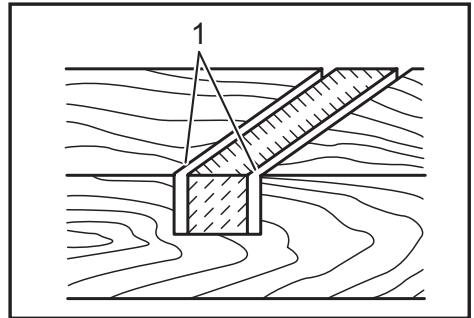
### ⚠ ADVERTENCIA:

- Use tornillos para fijar la madera auxiliar a la guía de corte. Los tornillos deberán colocarse de tal forma que las cabezas de éstos queden por debajo de la superficie de la madera auxiliar para que no interfieran con la ubicación de la pieza de trabajo. Una desalineación de la pieza de trabajo puede causar movimiento inesperado durante la operación de corte, el cual puede causar pérdida del control y graves lesiones personales.

### AVISO:

- Una vez que el revestimiento de madera esté colocado, no gire la base giratoria si la empuñadura estuviera baja. Si lo hace, el disco y/o el revestimiento podrían dañarse.

## 9. Corte de ranuras



- 1. Corte ranuras con el disco

Procediendo de la forma siguiente se puede hacer un corte tipo ranura:

Ajuste la posición límite inferior del disco utilizando el tornillo de ajuste y el brazo de tope para limitar la profundidad de corte del disco. Consulte la sección "Brazo de tope" descrita previamente. Tras ajustar la posición del límite inferior del disco, haga un corte paralelo dentado a lo largo del ancho de la pieza de trabajo usando un corte por deslizamiento (empujando) como se muestra en la figura. Luego quite el material de la pieza de trabajo que haya quedado en las ranuras con un cincel.

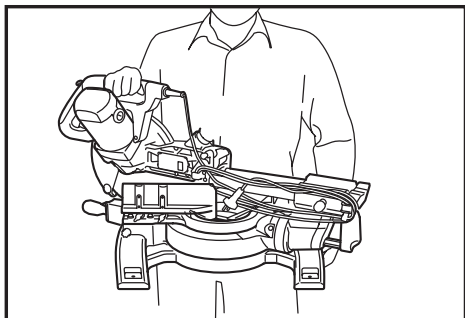
### ⚠ ADVERTENCIA:

- **No intente realizar este tipo de corte al usar un tipo de disco más ancho o discos para corte de ranuras (cabezas cuadradas).** Intentar realizar un corte dentado con un disco más ancho o con un disco para cortes tipo ranura podría ocasionar resultados inesperados en el corte, así como retrocesos bruscos que resulten en graves lesiones personales.
- **Asegúrese de retornar el brazo de retención a la posición original al realizar un tipo de corte que no sea de ranura.** Intentar realizar un corte con el brazo de retención en la posición incorrecta podría ocasionar resultados inesperados en el corte, así como retrocesos bruscos que resulten en graves lesiones personales.

### **⚠PRECAUCIÓN:**

- Asegúrese de regresar el brazo de retención a la posición original cuando realice otro corte que no sea de ranuras.

## **Transporte de la herramienta**



Asegúrese de que la herramienta está desenchufada. Fije el disco a un ángulo de bisel de  $0^\circ$  y gire la base por completo a una posición angular completa de inglete. Fije los soportes de corredera de tal forma que el soporte de corredera de la parte inferior quede fijo en la posición del carro completamente jalado hacia el operador y que los soportes de corredera de la parte superior queden fijos en la posición del carro completamente empujado adelante hacia la guía de corte (consulte la sección titulada "Ajuste del soporte de corredera"). Baje la empuñadura por completo y bloquéela en esa posición al presionar la clavija de retención. Enrolle el cable del enchufe usando sus elementos de descanso.

### **⚠ADVERTENCIA:**

- **La clavija de retención sólo tiene propósitos para cargar y almacenar la herramienta, y nunca deberá usarse para ninguna operación de corte.** El uso de la clavija de retención para operaciones de corte puede que cause movimiento inesperado del disco de la sierra resultando en retrocesos bruscos y graves lesiones personales.

Transporte la herramienta sosteniendo ambos lados de la base, tal como se muestra en la figura. Si quita los soportes, la bolsa recolectora, etc., podrá transportarla con más facilidad.

### **⚠PRECAUCIÓN:**

- Asegúrese siempre de que todas las partes móviles se encuentran fijas antes de utilizar la herramienta. Si partes de la herramienta se mueven o deslizan mientras es transportada, puede que al usarse haya pérdida del control o de su estabilidad resultando en lesiones personales.

## **MANTENIMIENTO**

### **⚠ADVERTENCIA:**

- **Asegúrese siempre que la herramienta esté apagada y desenchufada antes de intentar realizar cualquier inspección o mantenimiento.** No desconectar y apagar la herramienta puede que resulte en el encendido accidental lo cual puede ocasionar graves lesiones personales.
- **Asegúrese de que el disco esté afilado y limpio para un operación óptima y segura.** Intentar realizar cortes con un disco desafilado y/o sucio puede que cause retrocesos bruscos y que resulte en graves lesiones personales.

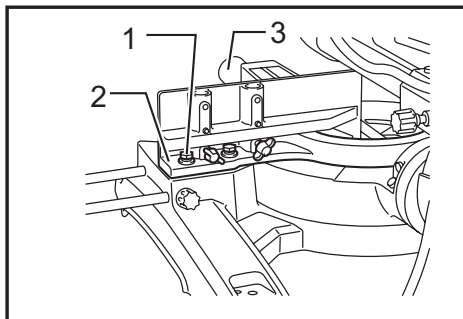
### **AVISO:**

- Nunca use gasolina, bencina, diluyente (tíner), alcohol o sustancias similares. Puede que esto ocasione grietas o descoloramiento.

## **Ajuste del ángulo de corte**

Esta herramienta ya viene cuidadosamente ajustada y alineada de fábrica, pero una manipulación descuidada podría afectar la alineación. Si su herramienta no está adecuadamente alineada, haga lo siguiente:

### **1. Ángulo inglete**



- 1. Tornillo hexagonal 2. Guía lateral 3. Empuñadura

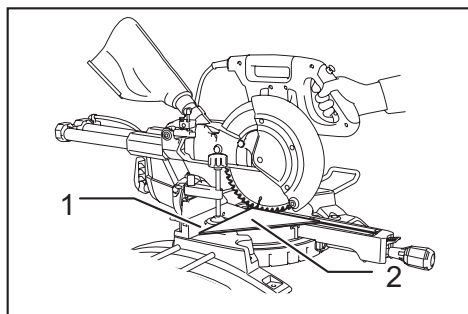
Empuje el carro hacia la guía de corte y apriete el tornillo de sujeción para fijar el carro.

Aflove la empuñadura la cual fija la base giratoria.

Gire la base giratoria de tal forma que el apuntador apunte a  $0^\circ$  en la escala medidora de inglete.

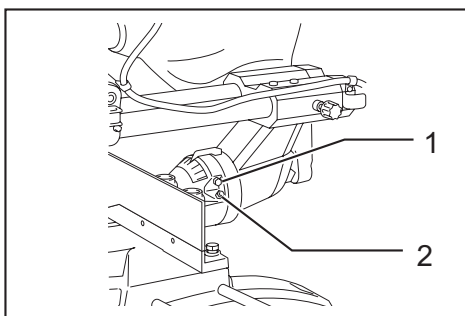
Luego gire la base giratoria levemente en ambas direcciones para sentar la base giratoria en la ranura de inglete de  $0^\circ$  (déjala como esté en caso de que el apuntador no esté apuntando hacia  $0^\circ$ ).

Aflove los pernos de entrada hexagonal con la llave de tubo fijando la guía de corte.



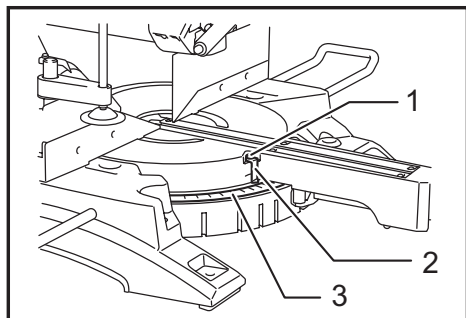
► 1. Guía lateral 2. Escuadra

Baje la empuñadura por completo y bloquéela en esa posición al presionar la clavija de retención. Empareje el costado del disco con la cara del la línea (guía) de corte mediante una escuadra o similar. Luego fije con firmeza y en orden comenzando con los pernos de entrada hexagonal sobre el costado del lado derecho de la guía.



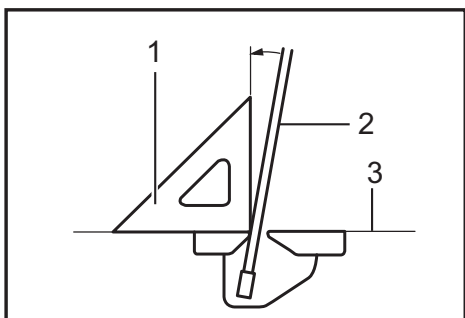
► 1. Tornillo de ajuste a 0° 2. Perno de ajuste para bisel en ángulo izquierdo a 45°

Con la llave hexagonal, aplique dos o tres giros en sentido contrario de las agujas del reloj al perno hexagonal sobre el costado derecho para inclinar el disco hacia la derecha.



► 1. Tornillo 2. Apuntador o puntero 3. Escala de inglete

Asegúrese de que el marcador indique 0° en la escala de inglete. De no ser así, afloje el tornillo que asegura el marcador y ajústelo de manera que marque 0°.

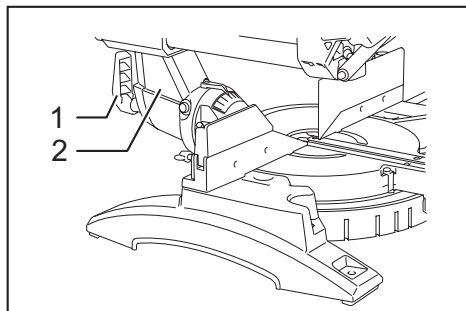


► 1. Escuadra 2. Disco de sierra 3. Parte superior de la mesa giratoria

De manera cuidadosa empareje la parte lateral del disco con la superficie de la base giratoria usando una regla triangular, escuadra, etc. al girar el perno hexagonal sobre el costado derecho del brazo en sentido contrario a las agujas del reloj. Luego apriete firmemente la palanca.

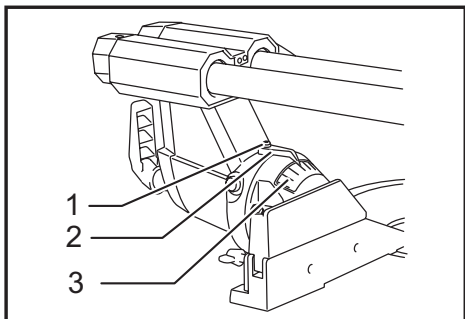
## 2. Ángulo bisel

(1) Ángulo bisel de 0°



► 1. Palanca 2. Brazo

Empuje el carro hacia la guía de corte y apriete el tornillo de sujeción para fijar el carro. Baje la empuñadura por completo y bloquéela en esa posición al presionar la clavija de detención. Afloje la palanca en la parte trasera de la herramienta.

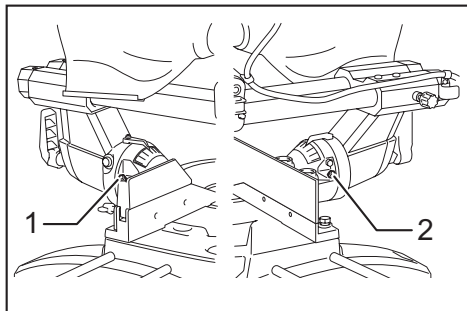


► 1. Tornillo 2. Apuntador o puntero 3. Escala de bisel

Asegúrese de que el apuntador en el brazo apunte hacia 0° en la escala medidora de bisel en el sujetador del brazo. En caso de que no apunte a 0°, afloje el tornillo que fija el apuntador y ajústelo de tal forma que apunte a 0°.



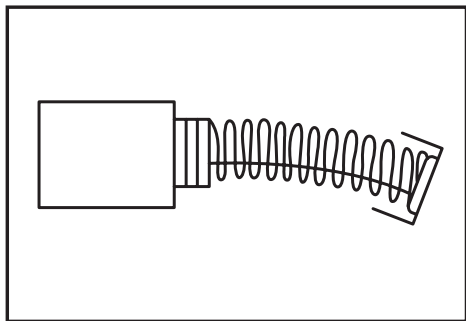
(2) Ángulo bisel de 45°



- 1. Perno de ajuste para bisel en ángulo derecho a 45° 2. Perno de ajuste para bisel en ángulo izquierdo a 45°

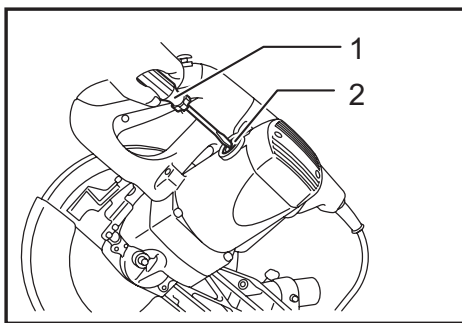
Ajuste el ángulo bisel de 45° sólo después de haber hecho el ajuste del ángulo bisel de 0°. Para ajustar el ángulo bisel de 45°, afloje la palanca e incline el disco a la izquierda por completo. Asegúrese de que el apuntador en el brazo apunte hacia 45° en la escala medidora de bisel en el sujetador del brazo. Si el apuntador no apunta a 45°, gire el ángulo bisel de 45° ajustando el perno en el lado derecho del sujetador del brazo hasta que el apuntador apunte a 45°.

Para ajustar el ángulo de bisel de 45° sobre el costado derecho, realice el procedimiento correspondiente como se indicó anteriormente.



Quite y revise las escobillas de carbón periódicamente. Reemplácelas cuando estén desgastadas a 3 mm de longitud. Conserve las escobillas de carbón limpias y sin impedimentos para insertarse en los sujetadores. Ambos escobillas de carbón deben reemplazarse al mismo tiempo. Use sólo escobillas de carbón idénticas a los originales.

Utilice un destornillador para quitar Tapa del carbón. Extraiga las escobillas gastadas, inserte las nuevas y vuelva a colocar las tapas.



- 1. Destornillador 2. Tapa del carbón

Después de substituir las escobillas, conecte la herramienta y ablande estas escobillas haciendo funcionar la herramienta sin carga durante 10 minutos. Luego verifique la herramienta en funcionamiento y la operación del freno eléctrico cuando suelte el gatillo interruptor. Si el freno eléctrico no está funcionando correctamente, lleve la herramienta a reparación a un centro de servicio Makita.

### Luego del uso

- Luego de utilizar la herramienta, limpie los restos de astillas y polvo con un paño o similar. Mantenga el disco limpio de acuerdo con las instrucciones proporcionadas en sección denominada "Protección del disco". Lubrique las partes deslizantes con aceite para máquinas a fin de evitar que se oxiden.
- Al guardar la herramienta, jale el carro por completo en dirección hacia usted.

Para mantener la SEGURIDAD y FIABILIDAD del producto, las reparaciones, y cualquier otra tarea de mantenimiento o ajuste deberán ser realizadas en Centros de Servicio Autorizados por Makita, empleando siempre repuestos Makita.

### ACCESORIOS OPCIONALES

#### ⚠ ADVERTENCIA:

- **Estos accesorios o aditamentos Makita están recomendados para utilizarse con su herramienta Makita que se especifica en este manual.** El uso de cualquier otro accesorio o aditamento puede que resulte en graves lesiones personales.
- **Use los accesorios o aditamentos Makita solamente para su propósito designado.** El uso inapropiado de un accesorio o aditamento puede causar graves lesiones personales.

Si necesita cualquier ayuda para más detalles en relación con estos accesorios, pregunte a su centro de servicio Makita local.

- Discos de sierra de acero y de carburo (Consulte nuestro sitio web o póngase en contacto con su distribuidor Makita para ver cuáles son los discos de la sierra correctos que deben usarse para el material que va a cortar.)
- Guía auxiliar derecha

- Montaje de prensa (Prensa horizontal)
- Prensa vertical
- Llave de tubo con llave hexagonal en su otro extremo
- Soporte
- Montaje de sostén
- Bolsa recolectora de polvo
- Codo
- Regla triangular

**NOTA:**

- Algunos de los artículos en la lista puede que vengan junto con el paquete de la herramienta como accesorios incluidos. Puede que estos accesorios varíen de país a país.

## **GARANTÍA LIMITADA DE MAKITA**

### **Ésta Garantía no aplica para México**

Consulte la hoja de la garantía anexa para ver los términos más vigentes de la garantía aplicable a este producto. En caso de no disponer de esta hoja de garantía anexa, consulte los detalles sobre la garantía descritos en el sitio web de su país respectivo indicado a continuación.

Estados Unidos de América: [www.makitatools.com](http://www.makitatools.com)

Canadá: [www.makita.ca](http://www.makita.ca)

Otros países: [www.makita.com](http://www.makita.com)







< USA only >

# WARNING

Some dust created by power sanding, sawing, grinding, drilling, and other construction activities contains chemicals known to the State of California to cause cancer, birth defects or other reproductive harm. Some examples of these chemicals are:

- lead from lead-based paints,
- crystalline silica from bricks and cement and other masonry products, and
- arsenic and chromium from chemically-treated lumber.

Your risk from these exposures varies, depending on how often you do this type of work. To reduce your exposure to these chemicals: work in a well ventilated area, and work with approved safety equipment, such as those dust masks that are specially designed to filter out microscopic particles.

< Sólo en los Estados Unidos >

# ADVERTENCIA

Algunos polvos creados por el lijado, aserrado, esmerilado, taladrado y otras actividades de la construcción contienen sustancias químicas reconocidas por el Estado de California como causantes de cáncer, defectos de nacimiento y otros peligros de reproducción. Algunos ejemplos de estos productos químicos son:

- plomo de pinturas a base de plomo,
- sílice cristalino de ladrillos y cemento y otros productos de albañilería, y
- arsénico y cromo de maderas tratadas químicamente.

El riesgo al que se expone varía, dependiendo de la frecuencia con la que realice este tipo de trabajo. Para reducir la exposición a estos productos químicos: trabaje en un área bien ventilada y póngase el equipo de seguridad indicado, tal como las máscaras contra polvo que están especialmente diseñadas para filtrar partículas microscópicas.

**Makita Corporation**

3-11-8, Sumiyoshi-cho,  
Anjo, Aichi 446-8502 Japan

[www.makita.com](http://www.makita.com)

LS1018L-NA3-1803  
EN, FRCA, ESMX  
20181108